

SAW Filter 881.50MHz

Model: TA1132A

Part No: MP04307

Rev No: 1

A. MAXIMUM RATING:

1. Input Power Level: 10dBm
2. DC Voltage: 3V
3. Operating Temperature: -25°C to +80°C
4. Storage Temperature: -40°C to +85°C

B. ELECTRICAL CHARACTERISTICS:

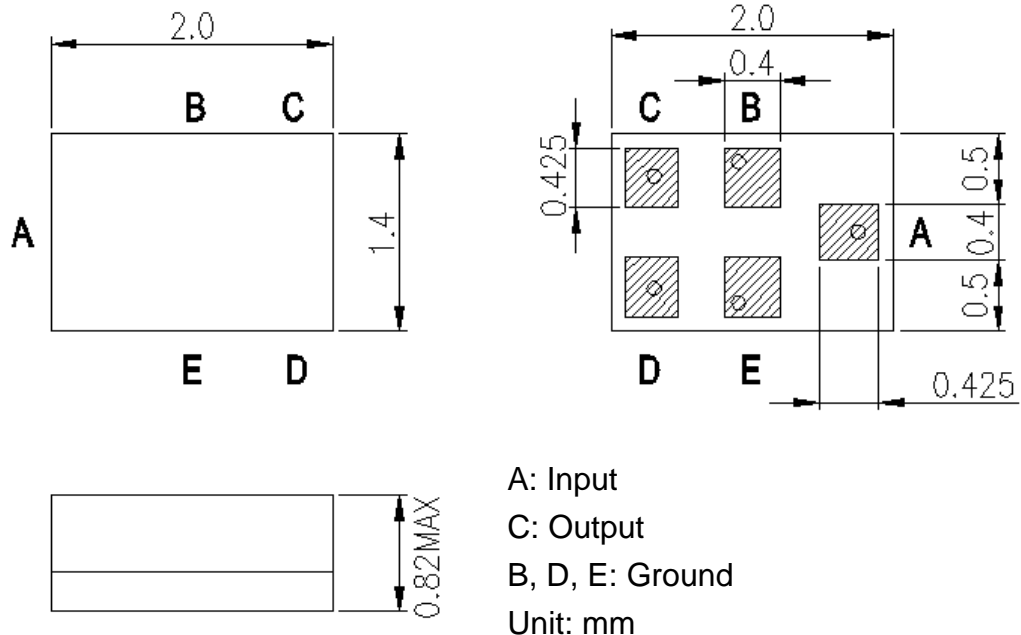
1. Terminating source impedance (single-ended): $Z_S = 50\Omega$
2. Terminating load impedance (single-ended): $Z_L = 50\Omega$

Item	Unit	Min.	Typ.	Max.	Note
Center Frequency F_c	MHz	-	881.5	-	-
Insertion Loss (869 ~ 894MHz) IL	dB	-	2.6	3.2	-
Amplitude ripple (869 ~ 894MHz)	dB	-	0.7	1.4	-
VSWR (869 ~ 894MHz)		-	1.7	2.3	-
Attenuation					
100 ~ 600MHz	dB	45	52	-	-
600 ~ 824MHz	dB	33	38		
824 ~ 849MHz	dB	32	35	-	-
914 ~ 924MHz	dB	18	23	-	-
924 ~ 950MHz	dB	32	36	-	-
950 ~ 1000MHz	dB	35	44	-	-
1000 ~ 2200MHz	dB	25	28	-	-
2200 ~ 3000MHz	dB	20	24	-	-

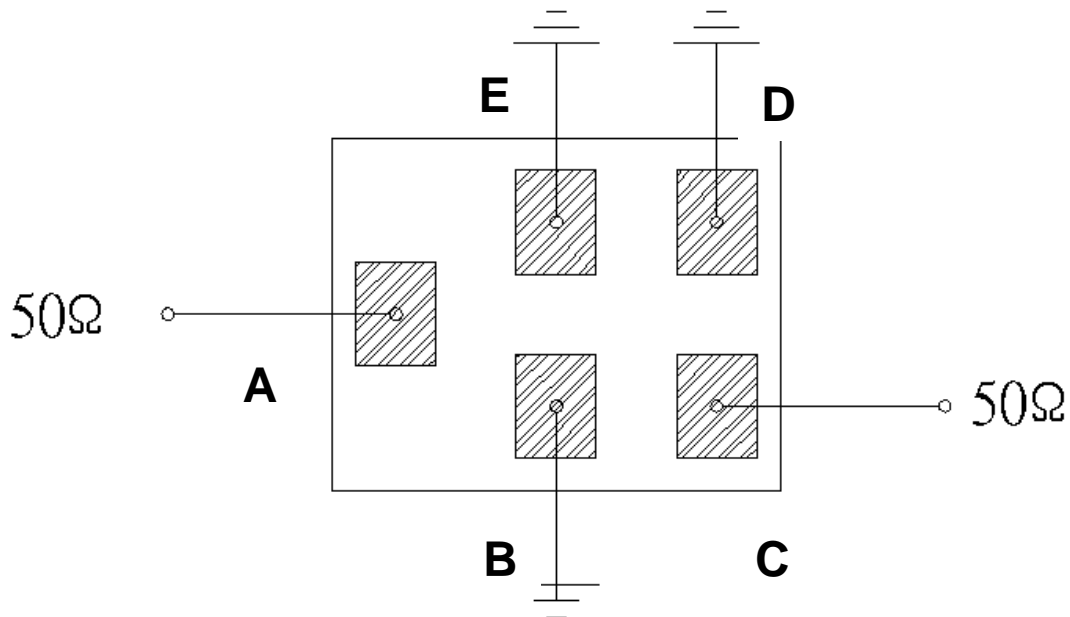
SAW Filter 881.50MHz
Part No: MP04307

Model: TA1132A
Rev No: 1

C. OUTLINE DRAWING:



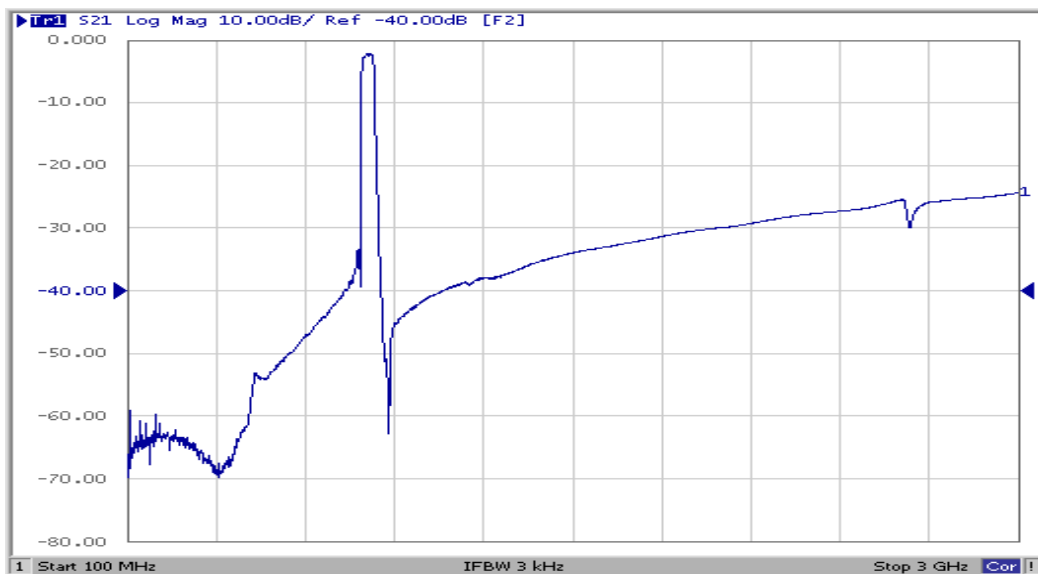
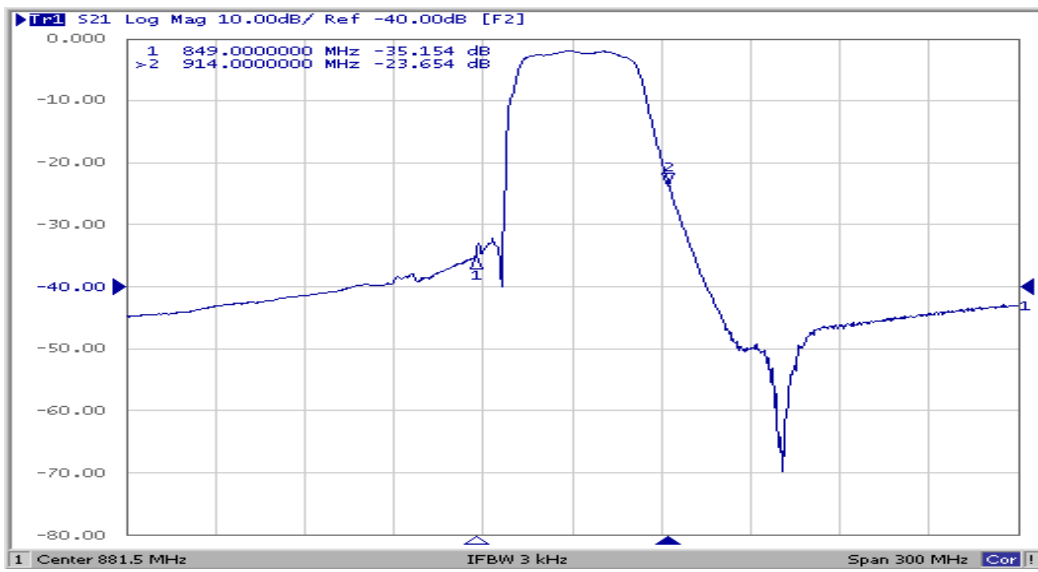
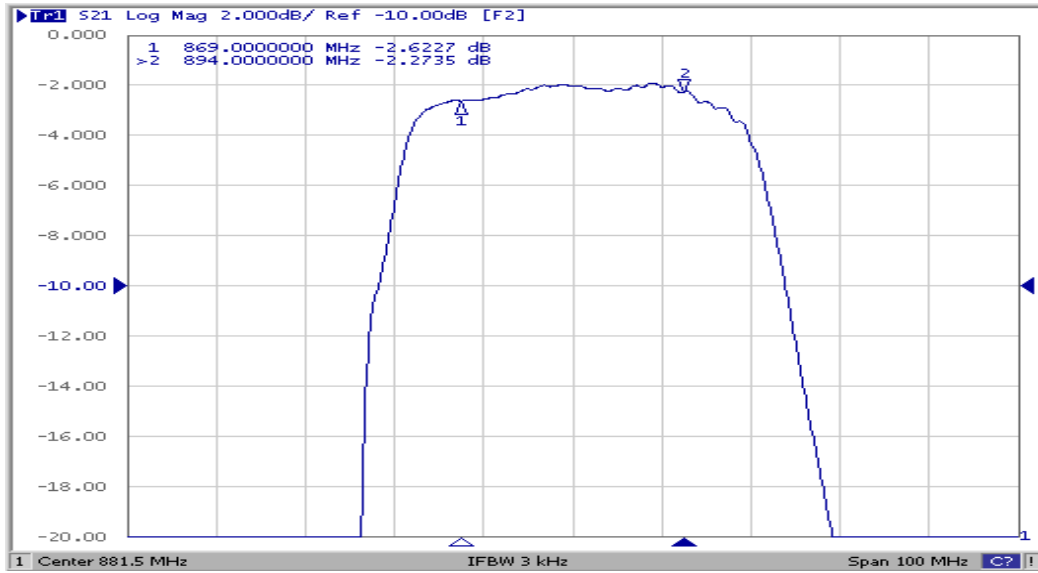
D. MEASUREMENT CIRCUIT:



SAW Filter 881.50MHz
Part No: MP04307

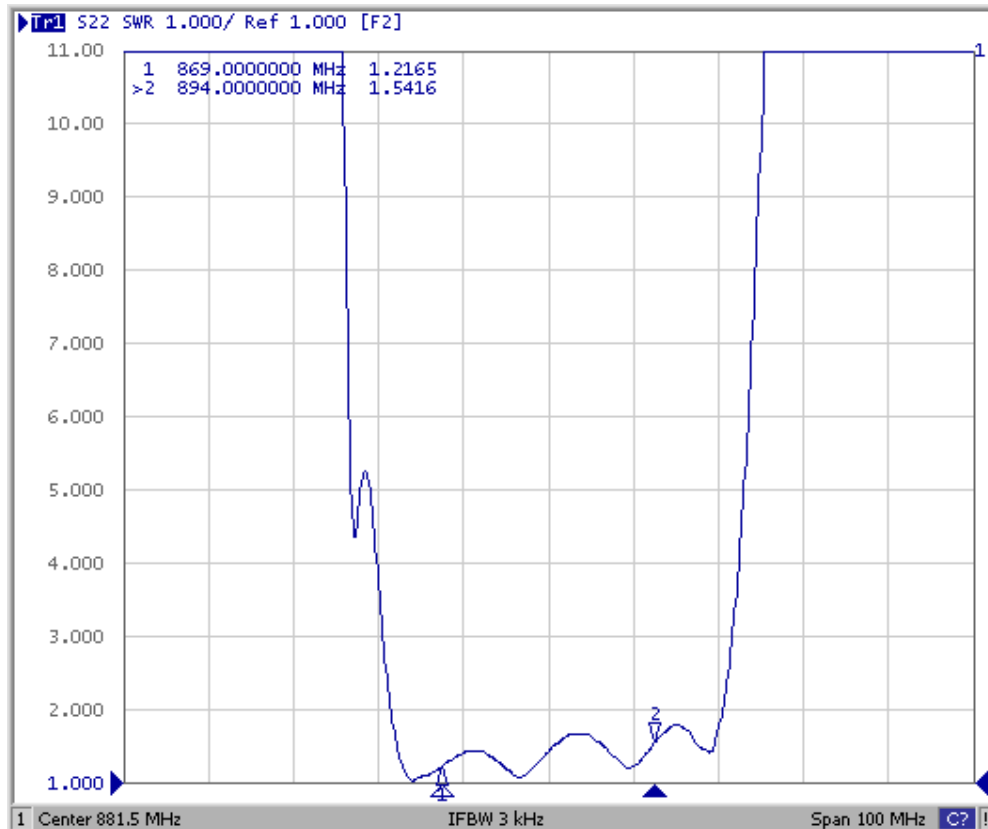
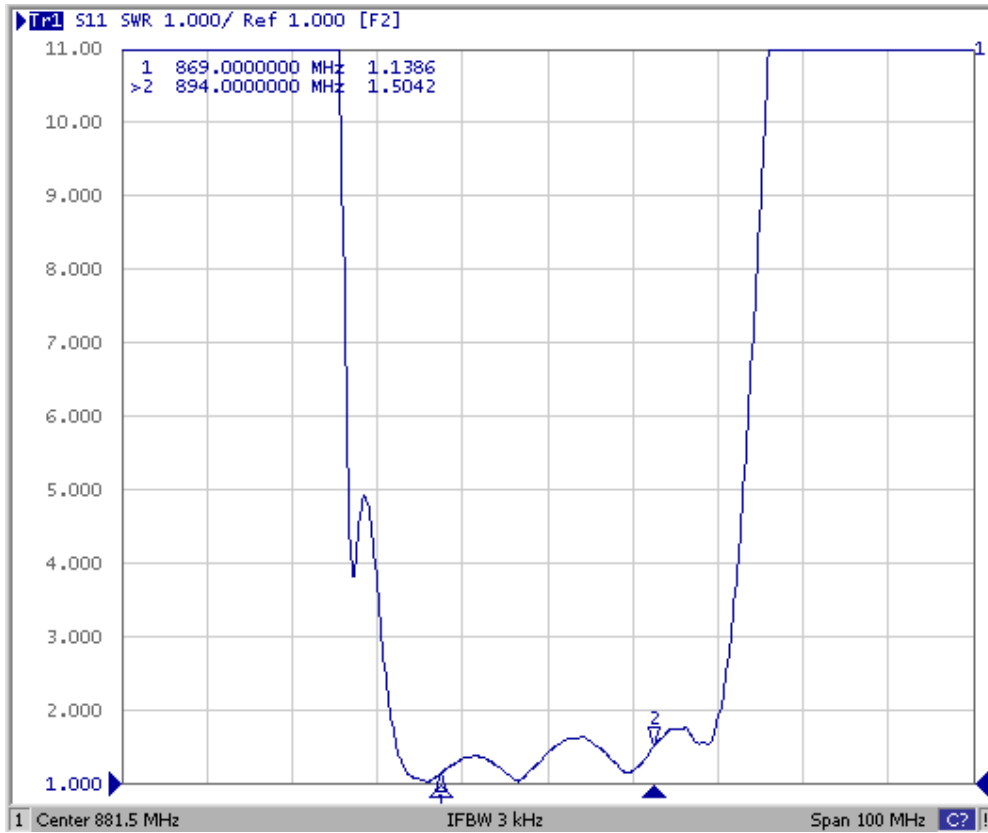
Model: TA1132A
Rev No: 1

E. FREQUENCY CHARACTERISTICS:



SAW Filter 881.50MHz
Part No: MP04307

Model: TA1132A
Rev No: 1



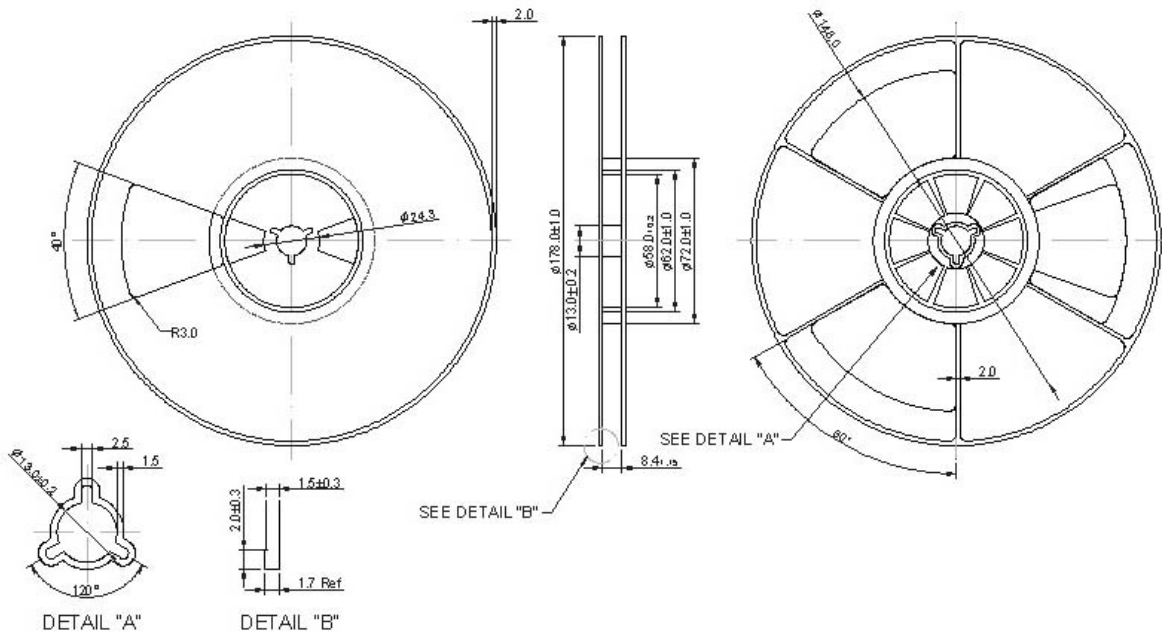
SAW Filter 881.50MHz
Part No: MP04307

Model: TA1132A
Rev No: 1

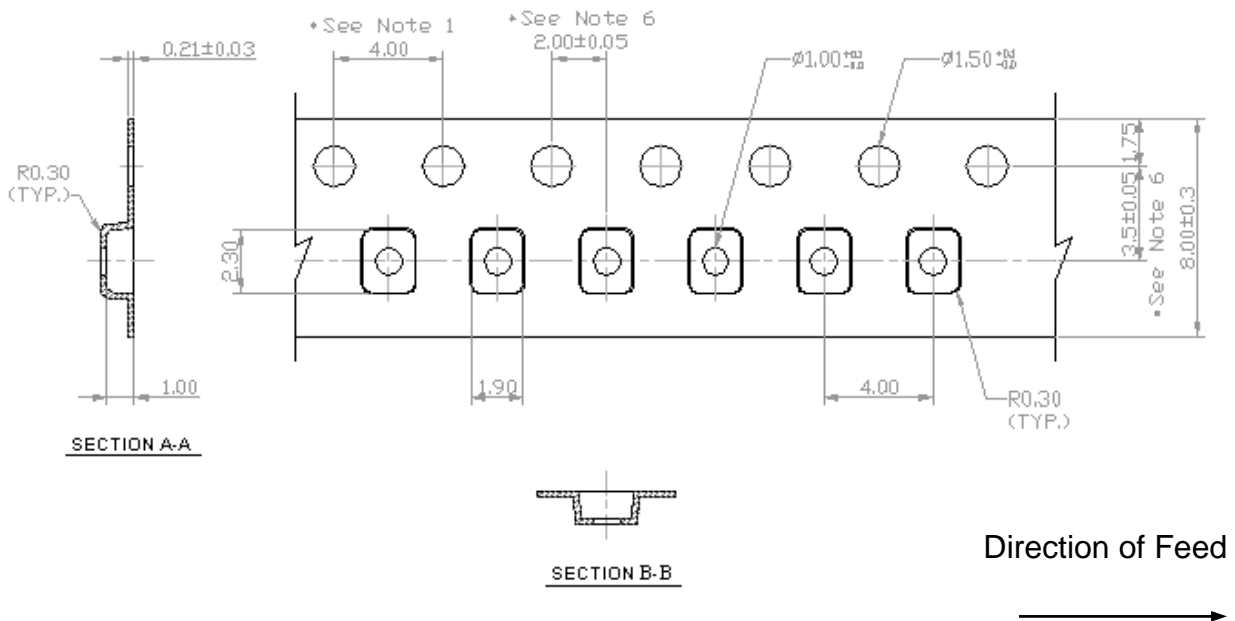
F. PACKING:

1. Reel Dimension

(Reel Count: 7" = 2000)



2. Tape Dimension



SAW Filter 881.50MHz
Part No: MP04307

Model: TA1132A
Rev No: 1

G. RECOMMENDED REFLOW PROFILE:

