

SAW Filter 422.0MHz
Part No: MP03990

Model: TA1215A
Rev No: 1

A. MAXIMUM RATING:

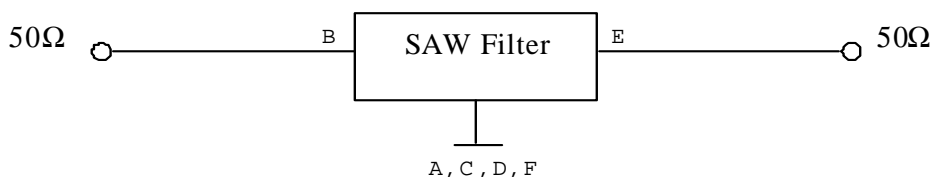
1. Input Power Level: 10dBm
2. DC Voltage: 3V
3. Operating Temperature: -40°C to +85°C
4. Storage Temperature: -40°C to +85°C

B. ELECTRICAL CHARACTERISTICS:

Item	Unit	Min.	Typ.	Max.
Center frequency Fc	MHz	-	422	-
Insertion Loss (420 ~ 424MHz) IL	dB	-	1.9	3.5
Amplitude Ripple (420 ~ 424MHz)	dB	-	0.3	1.6
VSWR (420 ~ 424MHz)	-	-	1.5	2.4
Attenuation (Reference level from 0dB)				
10 ~ 380MHz	dB	55	71	-
380 ~ 405MHz	dB	45	56	-
414MHz	dB	10	69	-
440 ~ 450MHz	dB	30	39	-
450 ~ 700MHz	dB	50	58	-
700 ~ 1000 MHz	dB	42	56	-

C. MEASUREMENT CIRCUIT:

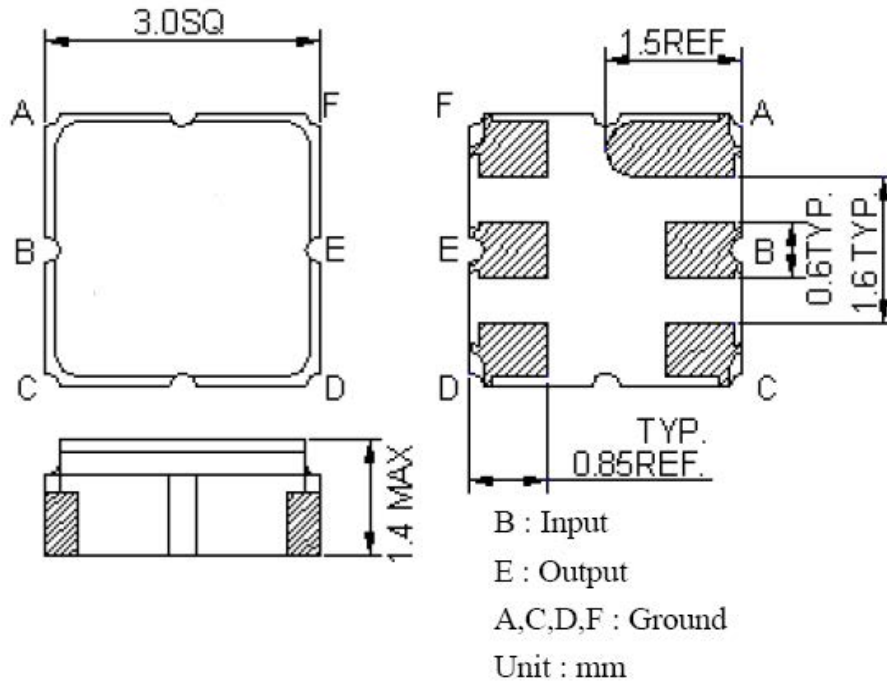
HP Network analyzer



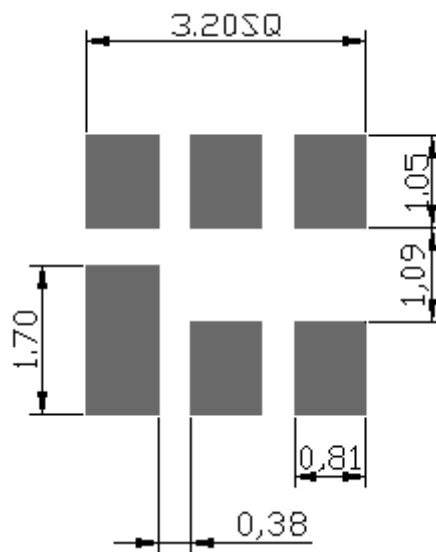
SAW Filter 422.0MHz
Part No: MP03990

Model: TA1215A
Rev No: 1

D. OUTLINE DRAWING:



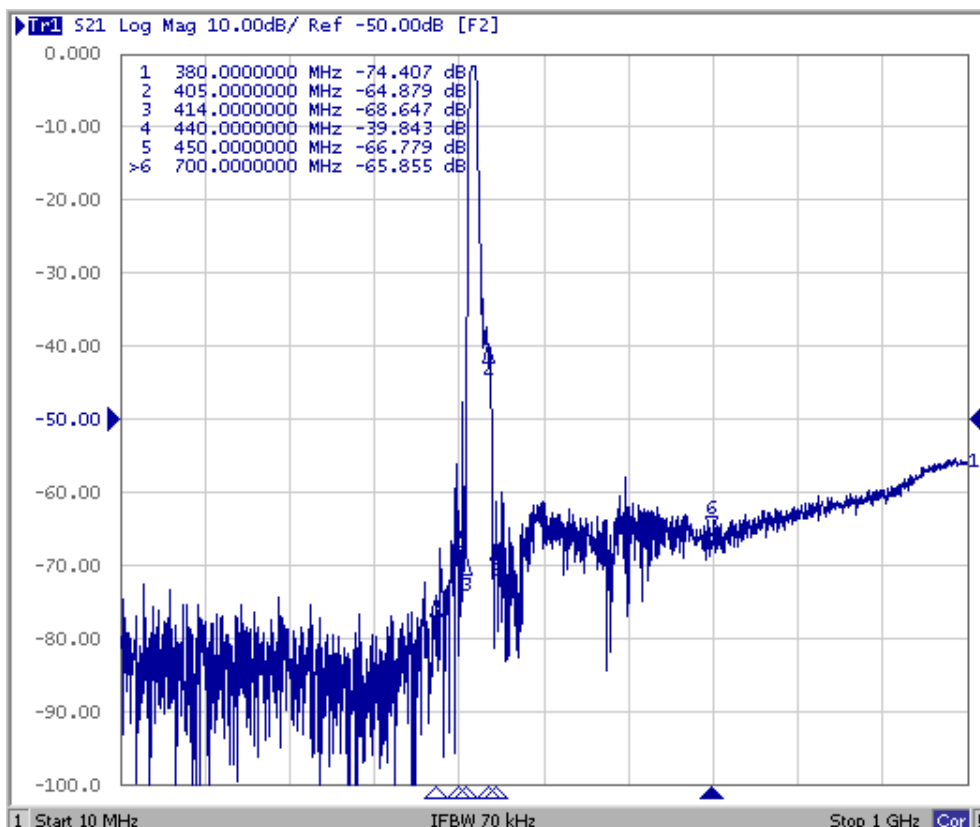
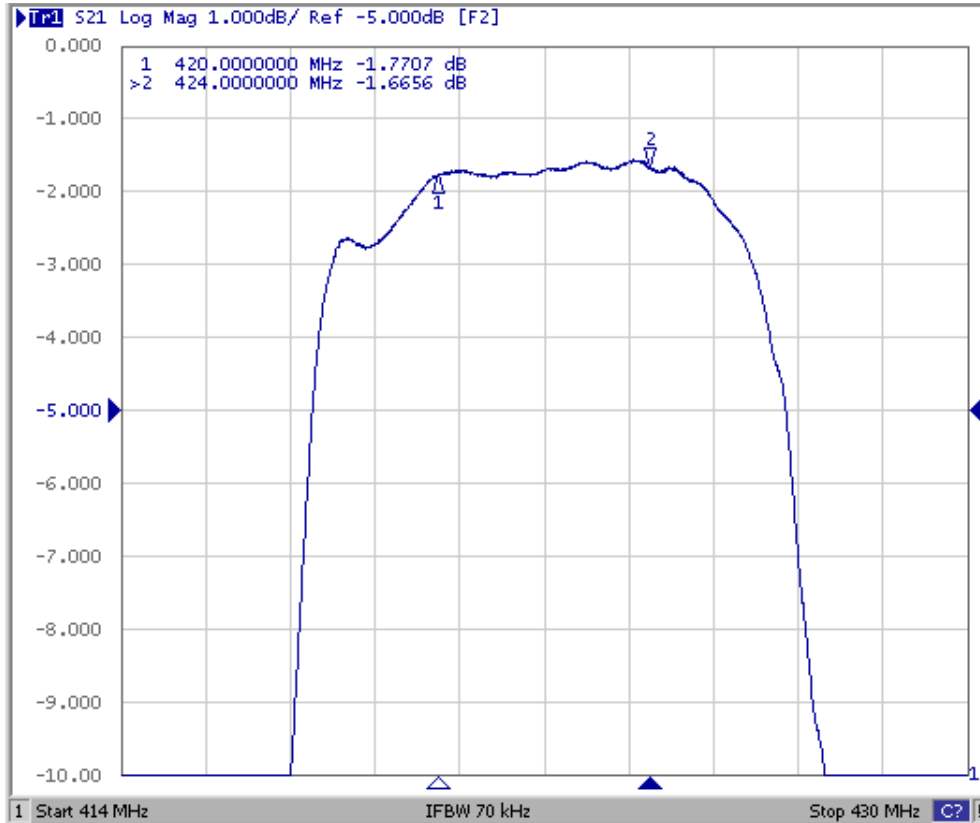
E. PCB FOOTPRINT:



SAW Filter 422.0MHz
Part No: MP03990

Model: TA1215A
Rev No: 1

F. FREQUENCY CHARACTERISTICS:

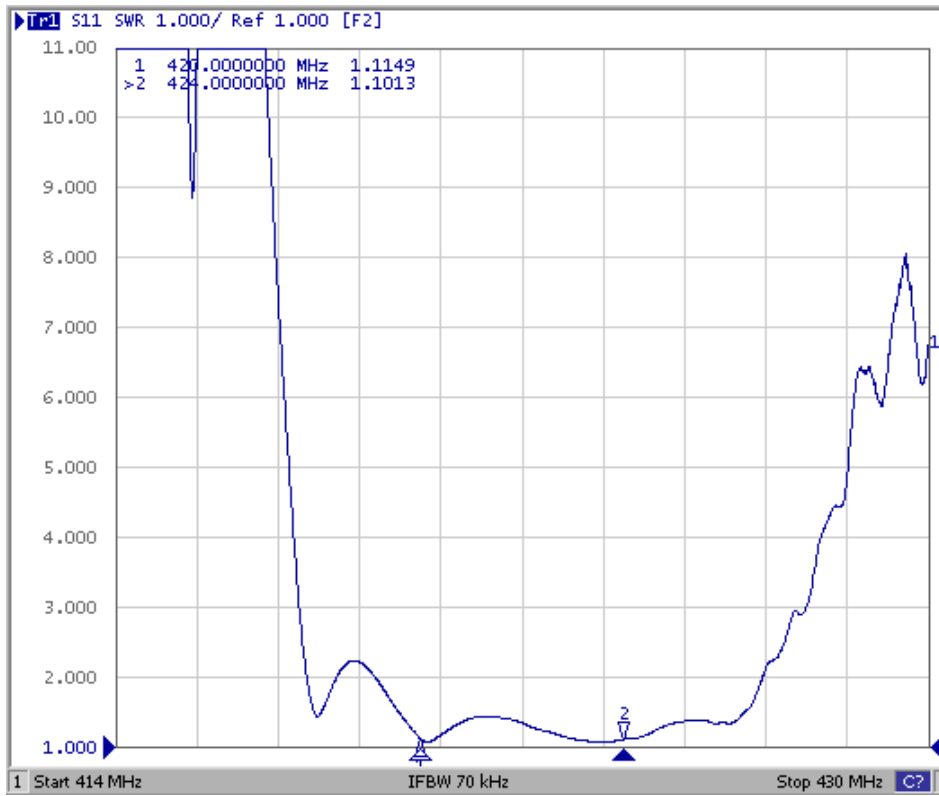


SAW Filter 422.0MHz
Part No: MP03990

Model: TA1215A
Rev No: 1

Reflection Functions

S11



S22



SAW Filter 422.0MHz
Part No: MP03990

Model: TA1215A
Rev No: 1

H. RECOMMENDED REFLOW PROFILE:

