

SAW Filter 1590.0MHz
Part No: MP03761

Model: TA1168A
Rev No: 1

A. MAXIMUM RATING:

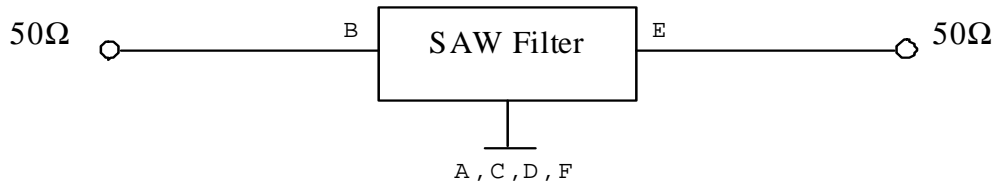
1. Input Power Level: 10dBm
2. DC Voltage: 3V
3. Operating Temperature: -30°C to +80°C
4. Storage Temperature: -30°C to +85°C

B. ELECTRICAL CHARACTERISTICS:

Item	Unit	Min.	Typ.	Max.
Center frequency Fc	MHz	-	1590	-
Insertion Loss within 1565 ~ 1615MHz IL	dB	-	3.5	4.5
Amplitude ripple within 1565 ~ 1615MHz	dB	-	1.0	3.0
Attenuation (Reference level from 0dB)				
1475 ~ 1535MHz	dB	40	45.3	-
1645 ~ 1660MHz	dB	18	24.2	-
1660 ~ 1670MHz	dB	26	36.4	-
1670 ~ 1705MHz	dB	35	42.7	-
Source impedance Z _S	Ω	-	50	-
Load impedance Z _L	Ω	-	50	-

C. MEASUREMENT CIRCUIT:

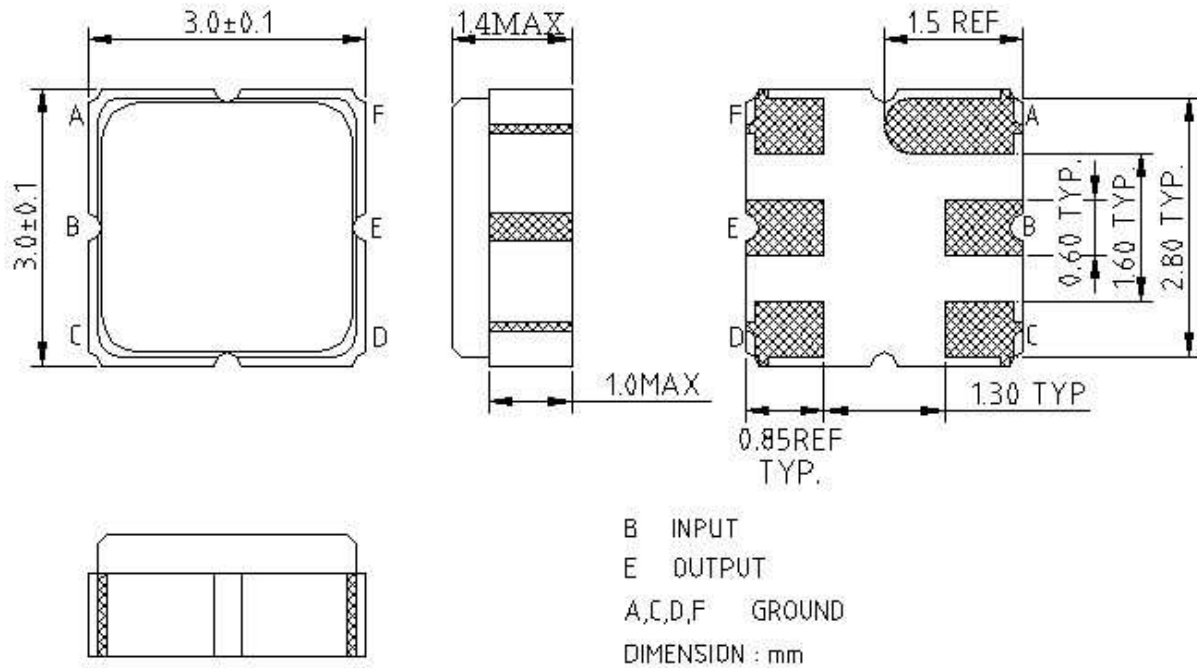
HP Network analyzer



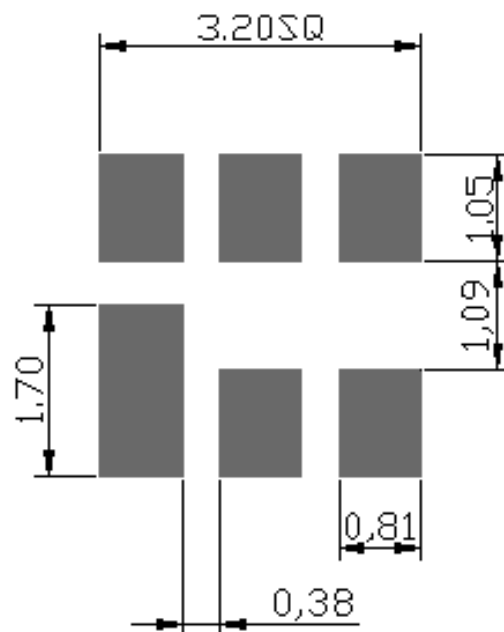
SAW Filter 1590.0MHz
Part No: MP03761

Model: TA1168A
Rev No: 1

D. OUTLINE DRAWING:



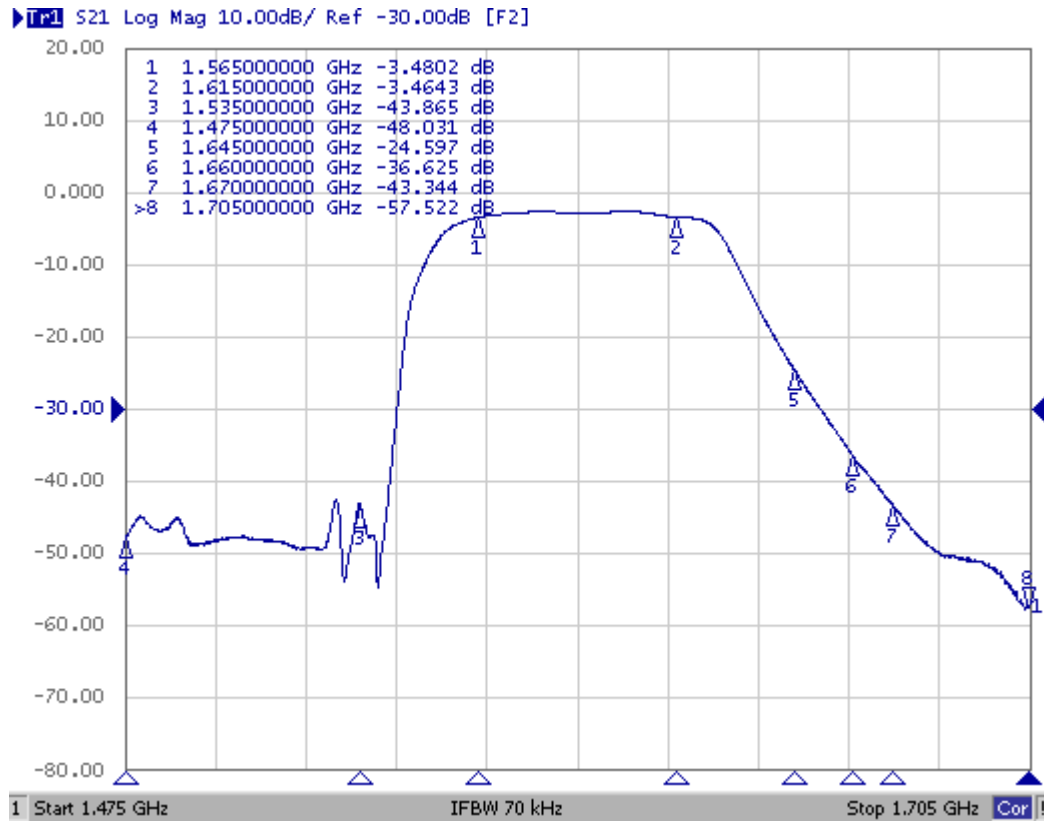
E. PCB FOOTPRINT:



SAW Filter 1590.0MHz
Part No: MP03761

Model: TA1168A
Rev No: 1

F. FREQUENCY CHARACTERISTICS: (Simulations)

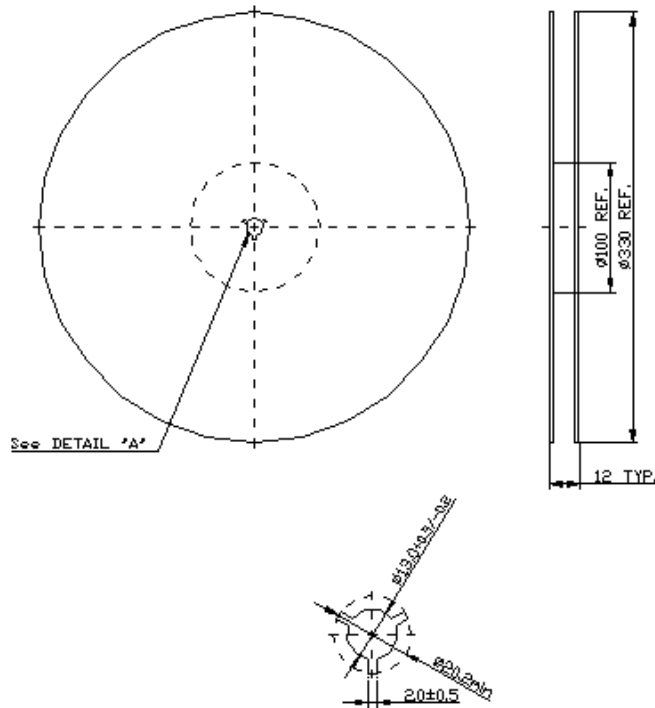


SAW Filter 1590.0MHz
Part No: MP03761

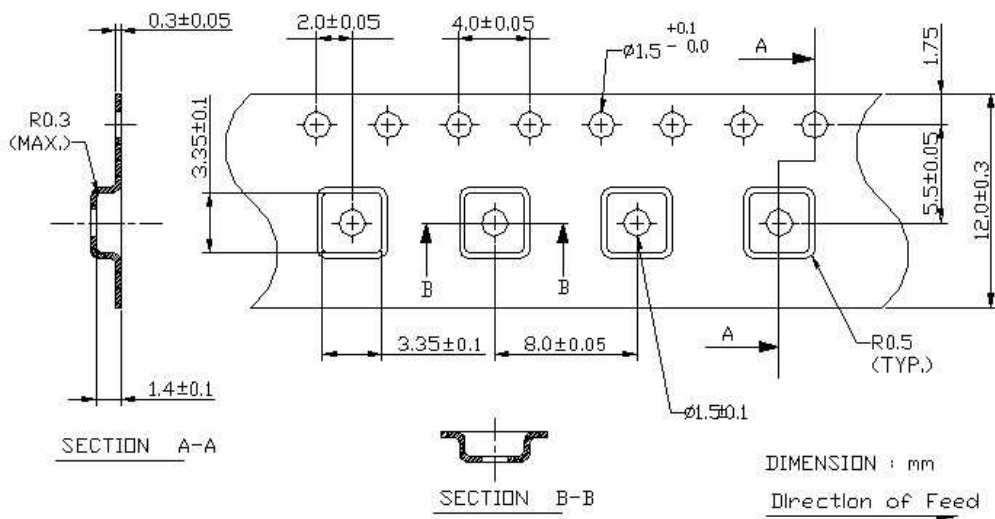
Model: TA1168A
Rev No: 1

G. PACKING:

1. REEL DIMENSION



2. TAPE DIMENSION



SAW Filter 1590.0MHz
Part No: MP03761

Model: TA1168A
Rev No: 1

H. RECOMMENDED REFLOW PROFILE:

