

SAW Filter 643MHz

Model: TA0955A

Part No: MP01603

REV. NO.: 1

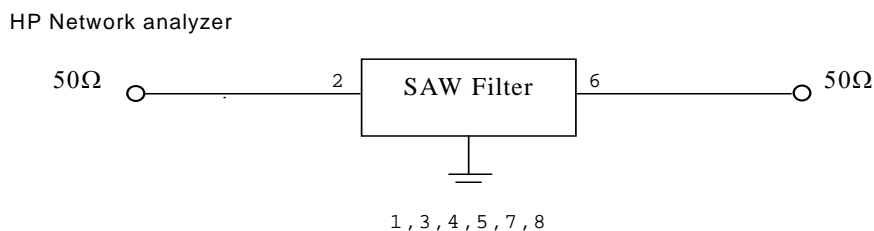
A. MAXIMUM RATING:

1. Input Power Level: 13 dBm
2. DC Voltage : 5V
3. Operating Temperature: -10°C to +60°C
4. Storage Temperature: -40°C to +85°C

B. ELECTRICAL CHARACTERISTICS:

Item	Unit	Min.	Typ.	Max.	Note
Center Frequency Fc	MHz	-	643	-	-
Insertion loss (639~647MHz) IL	dB	-	1.3	3	-
Amplitude Ripple (639 ~ 647 MHz)	dB	-	0.3	2	-
Attenuation (Reference level from 0 dB)					
0 ~ 619 MHz	dB	36	40	-	-
619 ~ 629 MHz	dB	9	21	-	-
657 ~ 667 MHz	dB	9	31	-	-
667 ~ 1000 MHz	dB	40	42	-	-
Temperature Coefficient of Frequency	ppm/°C	-	-36	-	-

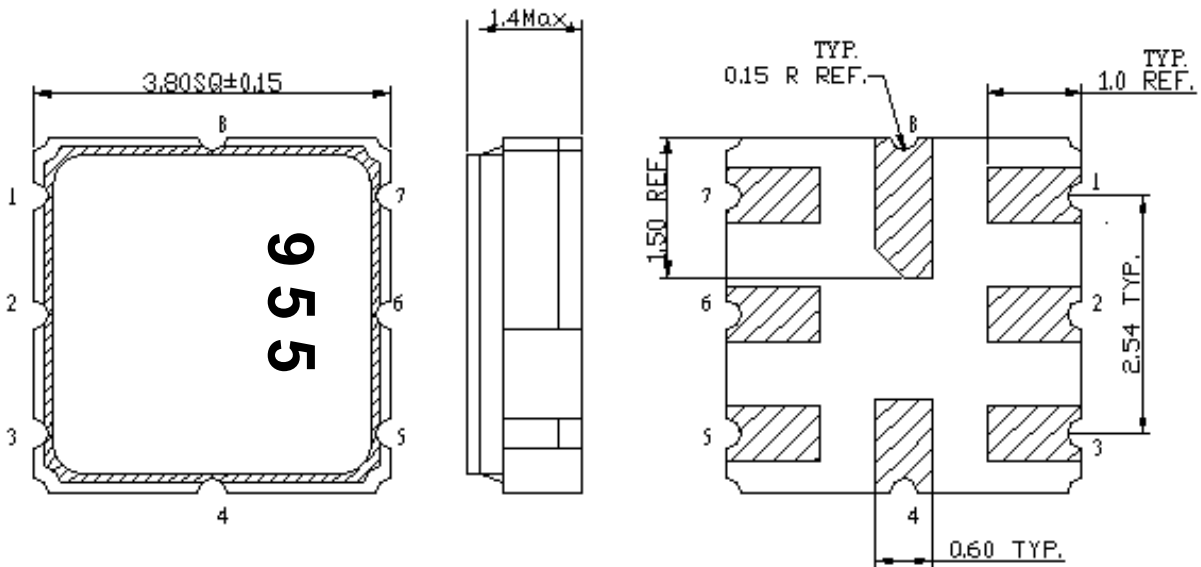
C. MEASUREMENT CIRCUIT:



SAW Filter 643MHz
Part No: MP01603

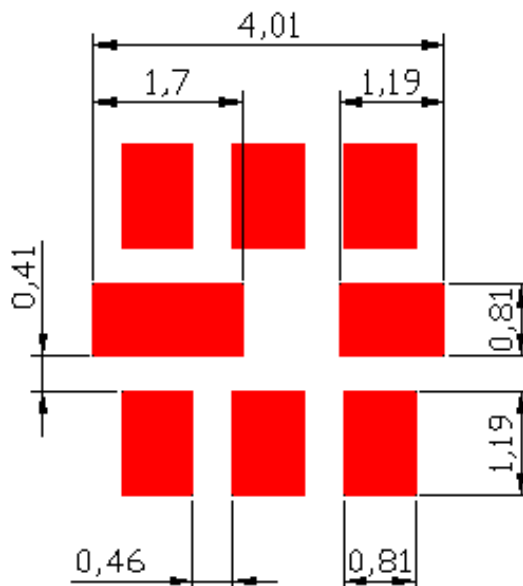
Model: TA0955A
REV. NO.: 1

D. OUTLINE DRAWING:



2 : Input
 6: Output
 1,3,4,5,7,8: Ground
 Unit: mm

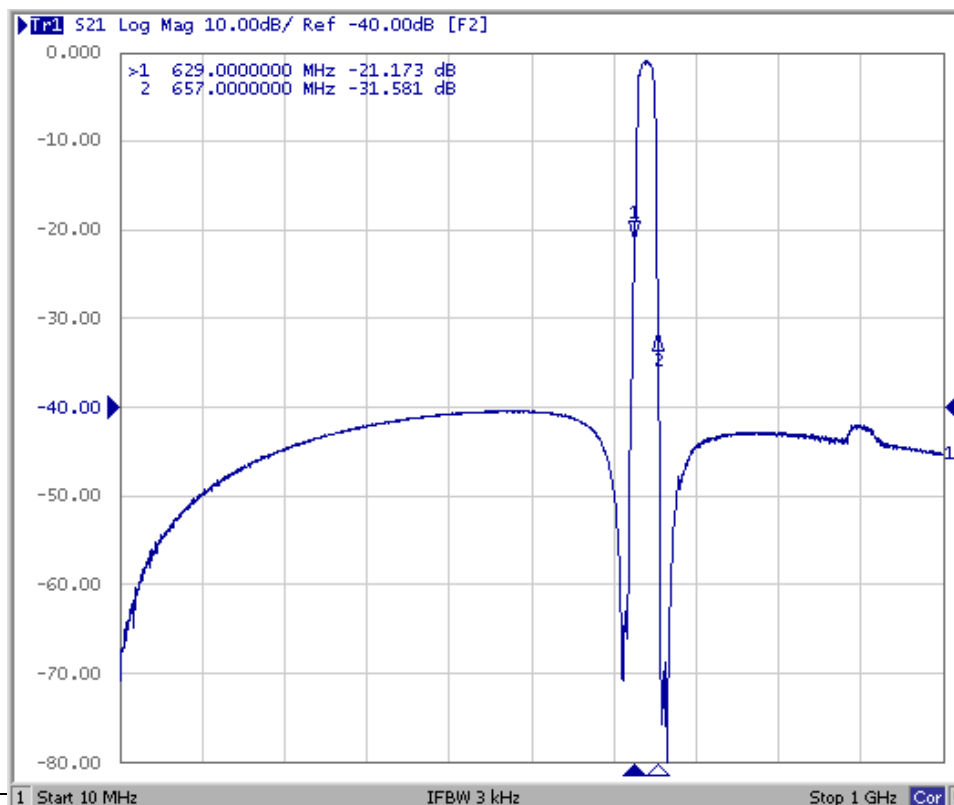
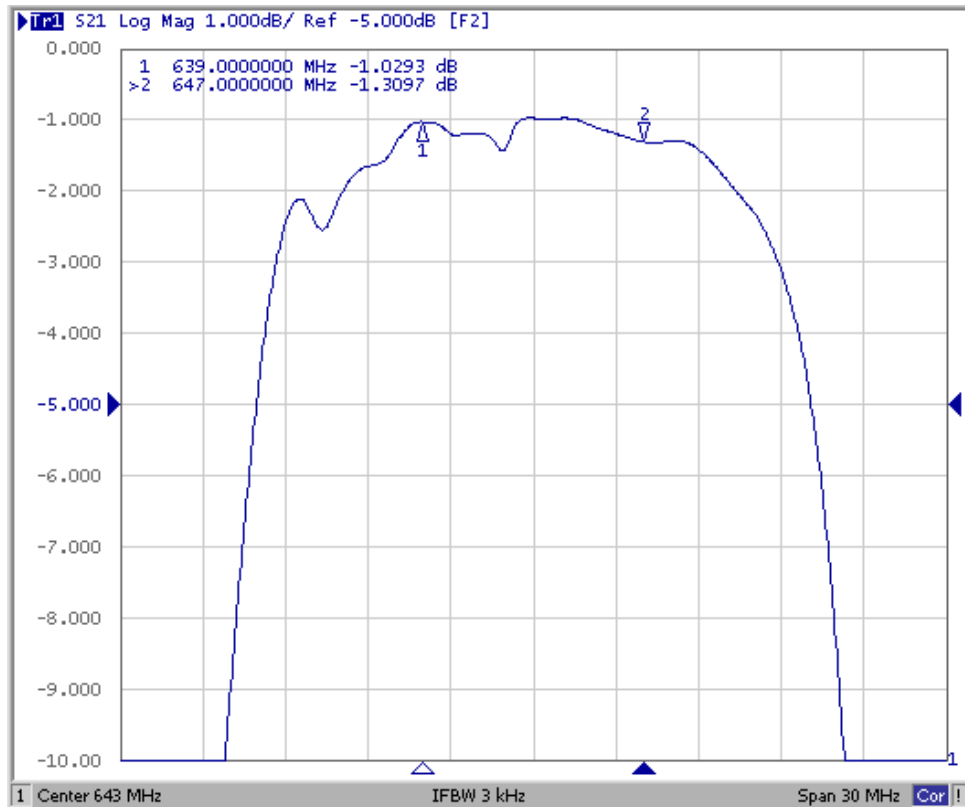
E. PCB FOOTPRINT:



SAW Filter 643MHz
Part No: MP01603

Model: TA0955A
REV. NO.: 1

F. FREQUENCY CHARACTERISTICS: (Simulations)



SAW Filter 643MHz

Model: TA0955A

Part No: MP01603

REV. NO.: 1

H. RECOMMENDED REFLOW PROFILE:

