

**SAW Filter 1575.0MHz**  
**Part No: MP04385**

**Model: TA1190A**  
**Rev No: 2**

**A. MAXIMUM RATING:**

1. Input Power Level: 10dBm
2. DC Voltage: 3V
3. Operating Temperature: -40°C to +95°C
4. Storage Temperature: -40°C to +105°C

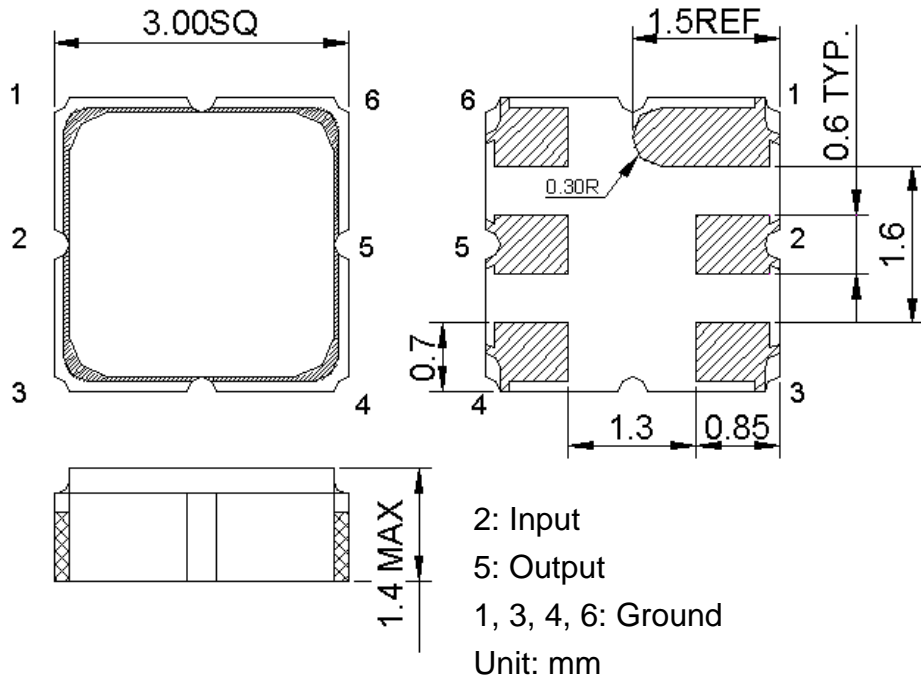
**B. ELECTRICAL CHARACTERISTICS:**

Item	Unit	Min.	Typ.	Max.	Note
Center Frequency Fc	MHz	-	1575	-	-
Insertion Loss (1571 ~ 1579MHz) IL	dB	-	3.4	4.2	-
Amplitude Ripple (1571 ~ 1579MHz)	dB	-	0.5	1.5	-
VSWR (1571 ~ 1579MHz)		-	1.5	2.5	-
Attenuation (Reference level from 0dB)					
DC ~ 1475MHz	dB	40	44	-	-
1475 ~ 1535MHz	dB	35	44	-	-
1615 ~ 1675MHz	dB	25	44	-	-
1675 ~ 2200MHz	dB	40	43	-	-
2200 ~ 3000MHz	dB	25	42	-	-
Temperature Coefficient of Frequency	ppm/°C	-	-36	-	-

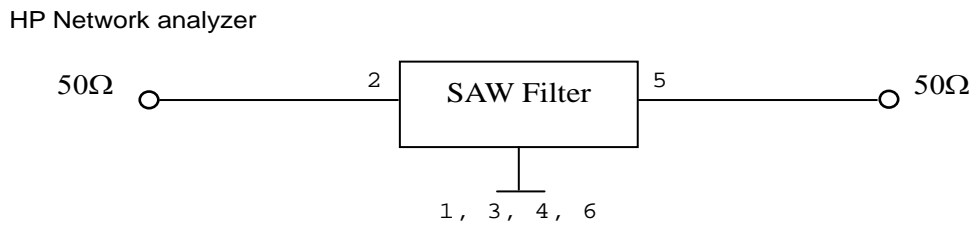
**SAW Filter 1575.0MHz**  
**Part No: MP04385**

**Model: TA1190A**  
**Rev No: 2**

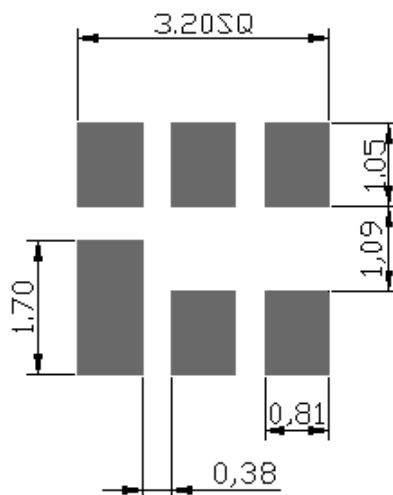
**C. OUTLINE DRAWING:**



**D. MEASUREMENT CIRCUIT:**



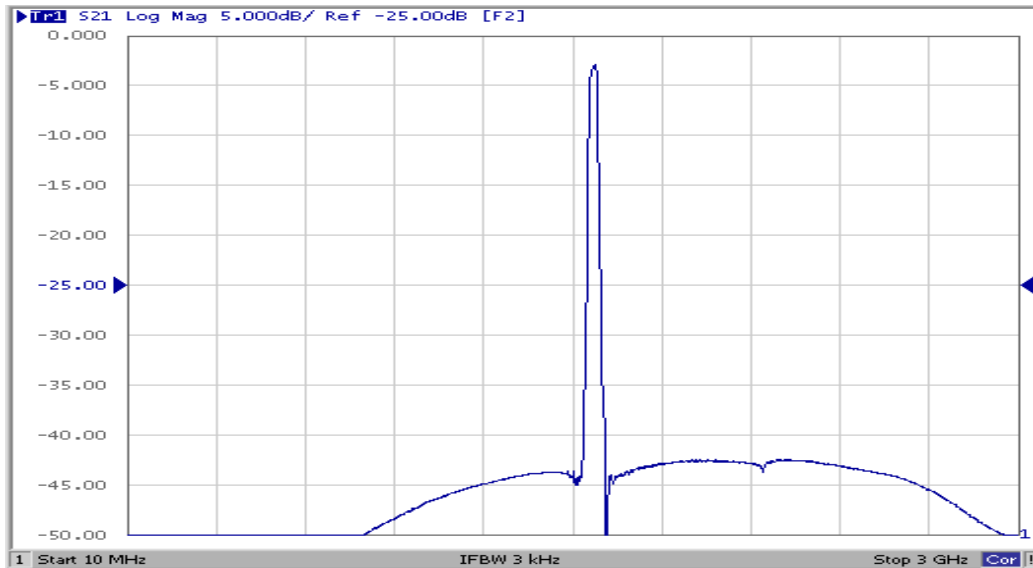
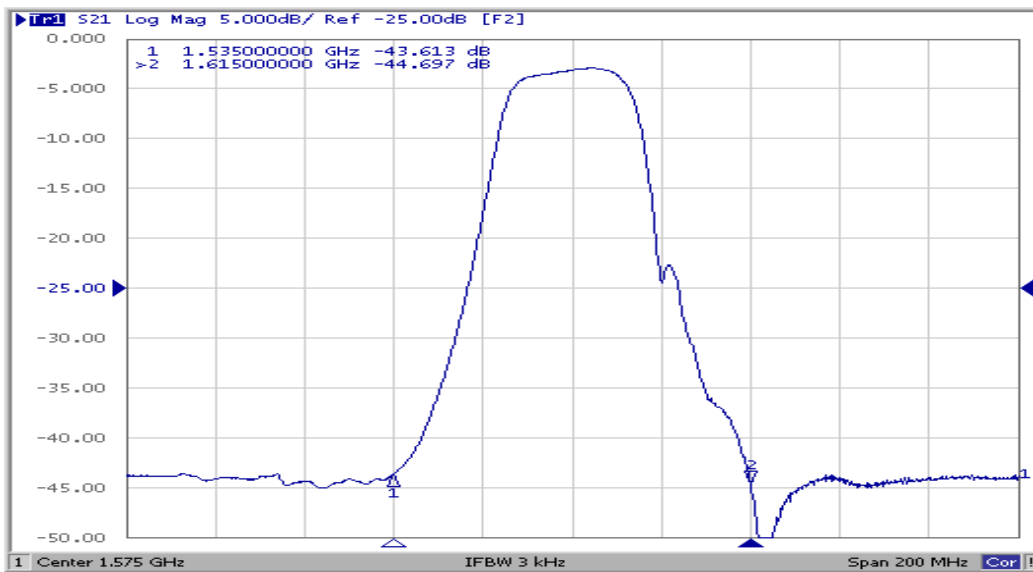
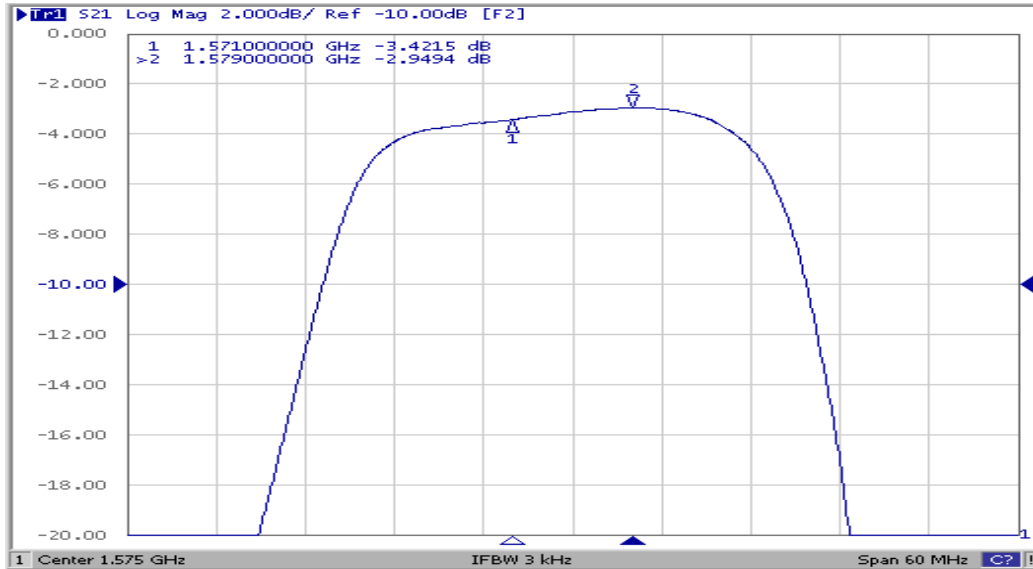
**E. PCB FOOTPRINT:**



**SAW Filter 1575.0MHz**  
**Part No: MP04385**

**Model: TA1190A**  
**Rev No: 2**

**F. FREQUENCY CHARACTERISTICS:**

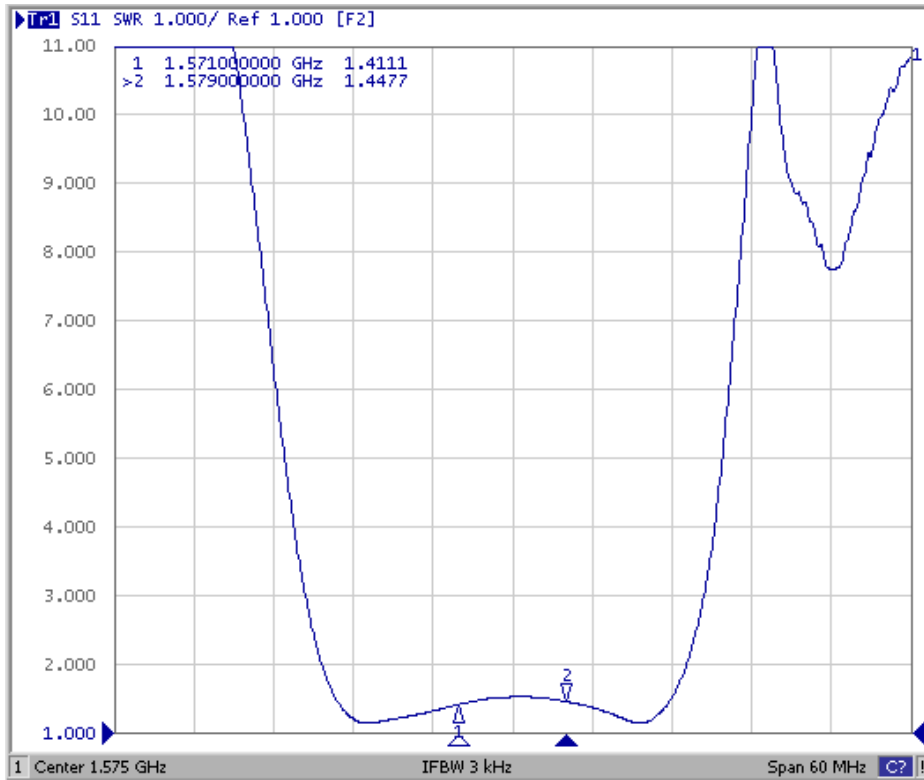


**SAW Filter 1575.0MHz**  
**Part No: MP04385**

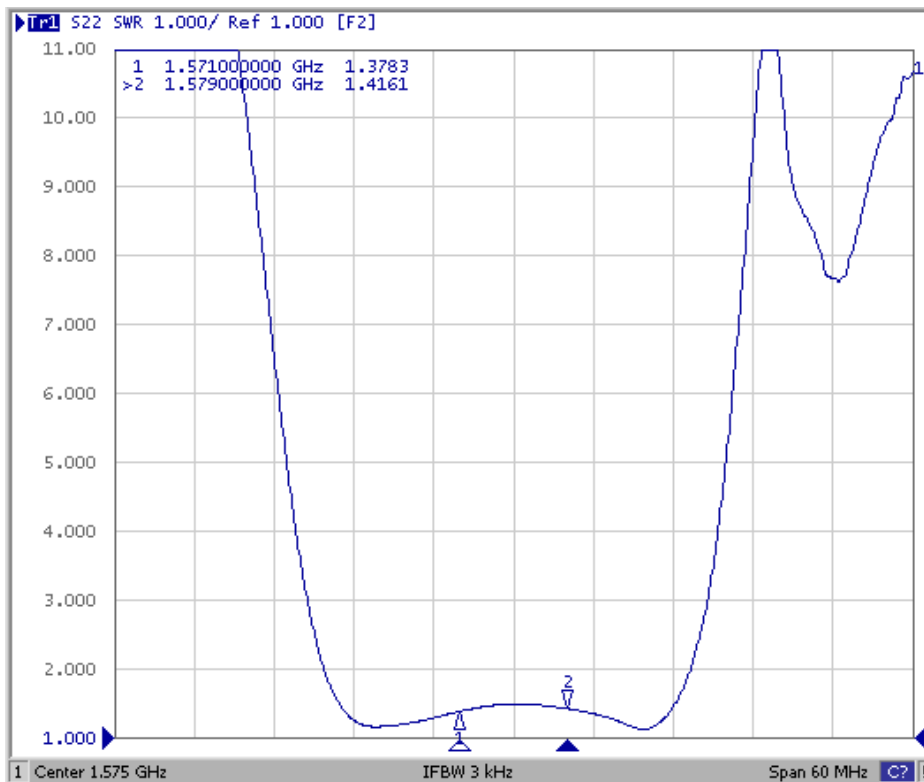
**Model: TA1190A**  
**Rev No: 2**

Reflection Functions

S11



S22



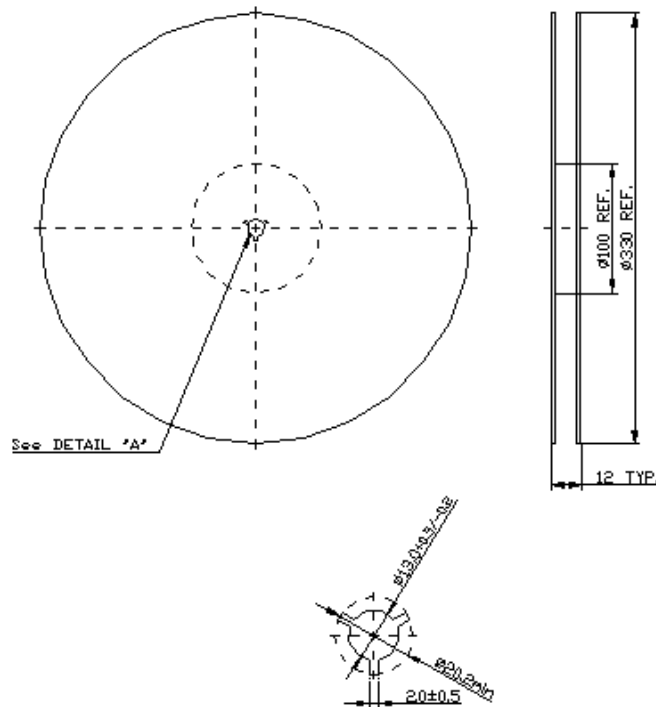
**SAW Filter 1575.0MHz**  
**Part No: MP04385**

**Model: TA1190A**  
**Rev No: 2**

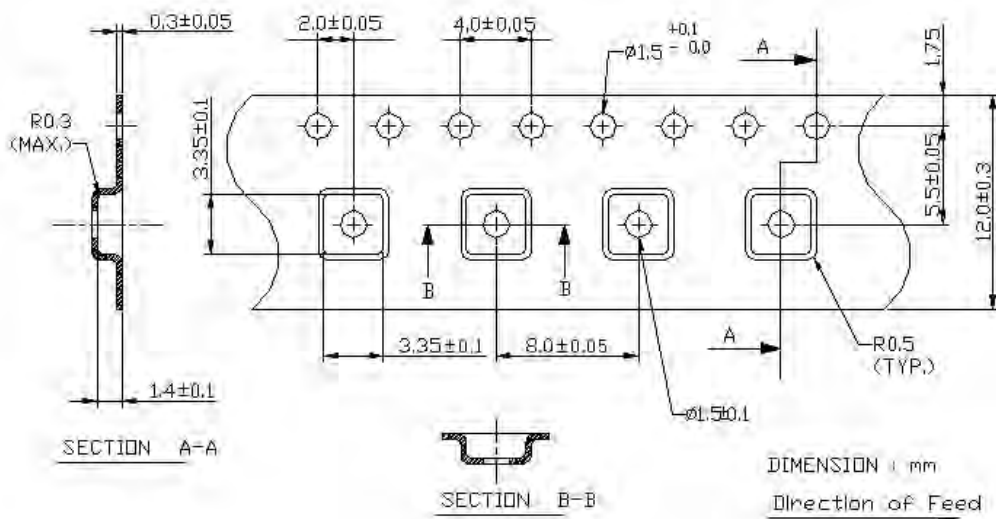
**G. PACKING:**

1. Reel Dimension

(Reel Count: 7" = 1000; 13" = 3000)



2. Tape Dimension



**SAW Filter 1575.0MHz**  
**Part No: MP04385**

**Model: TA1190A**  
**Rev No: 2**

**H. RECOMMENDED REFLOW PROFILE:**

