

**SAW Filter 1815.0MHz**  
**Part No: MP04387**

**Model: TA1169A**  
**Rev No: 1**

**A. MAXIMUM RATING:**

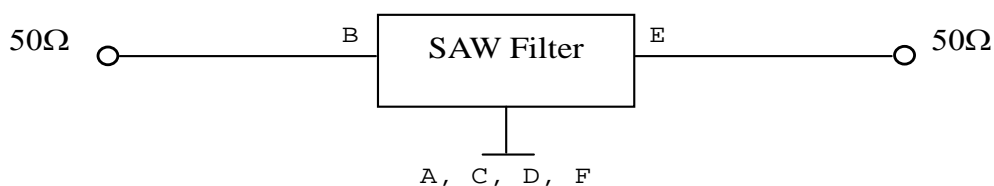
1. Input Power Level: 10dBm
2. DC Voltage: 3V
3. Operating Temperature: -40°C to +85°C
4. Storage Temperature: -40°C to +85°C

**B. ELECTRICAL CHARACTERISTICS:**

Item	Unit	Min.	Typ.	Max.	Note
Center Frequency Fc	MHz	-	1815	-	-
Insertion Loss (1800 ~ 1830MHz) IL	dB	-	1.7	2.8	-
Amplitude Ripple (1800 ~ 1830MHz)	dB	-	0.6	1.2	-
VSWR (1800 ~ 1830MHz)		-	1.5	2.0	-
Attenuation (Reference level from 0dB)					
100 ~ 1000MHz	dB	30	36	-	-
1350 ~ 1450MHz	dB	33	38	-	-
1500 ~ 1650MHz	dB	35	40	-	-
2015 ~ 2120MHz	dB	40	49	-	-
2445 ~ 2580MHz	dB	42	44	-	-
3000 ~ 6000MHz	dB	17	23		

**C. MEASUREMENT CIRCUIT:**

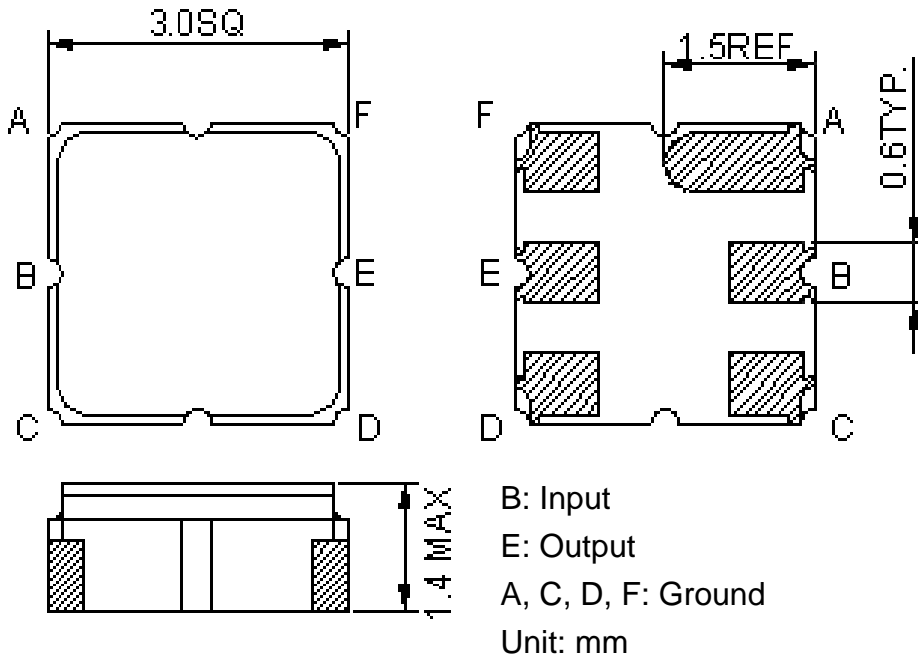
HP Network analyzer



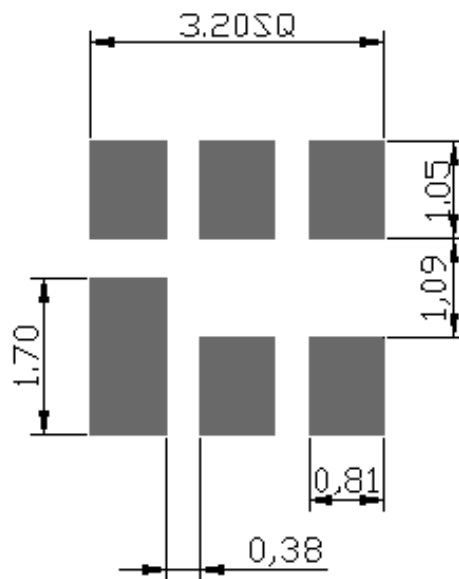
**SAW Filter 1815.0MHz**  
**Part No: MP04387**

**Model: TA1169A**  
**Rev No: 1**

**D. OUTLINE DRAWING:**



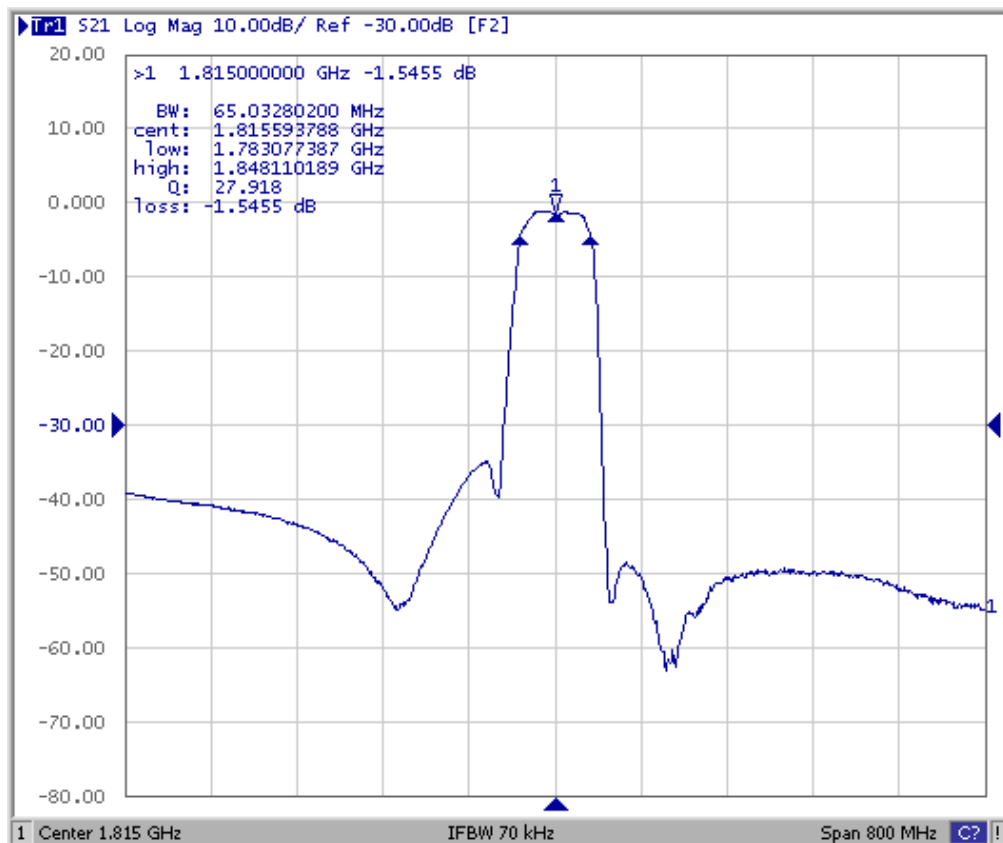
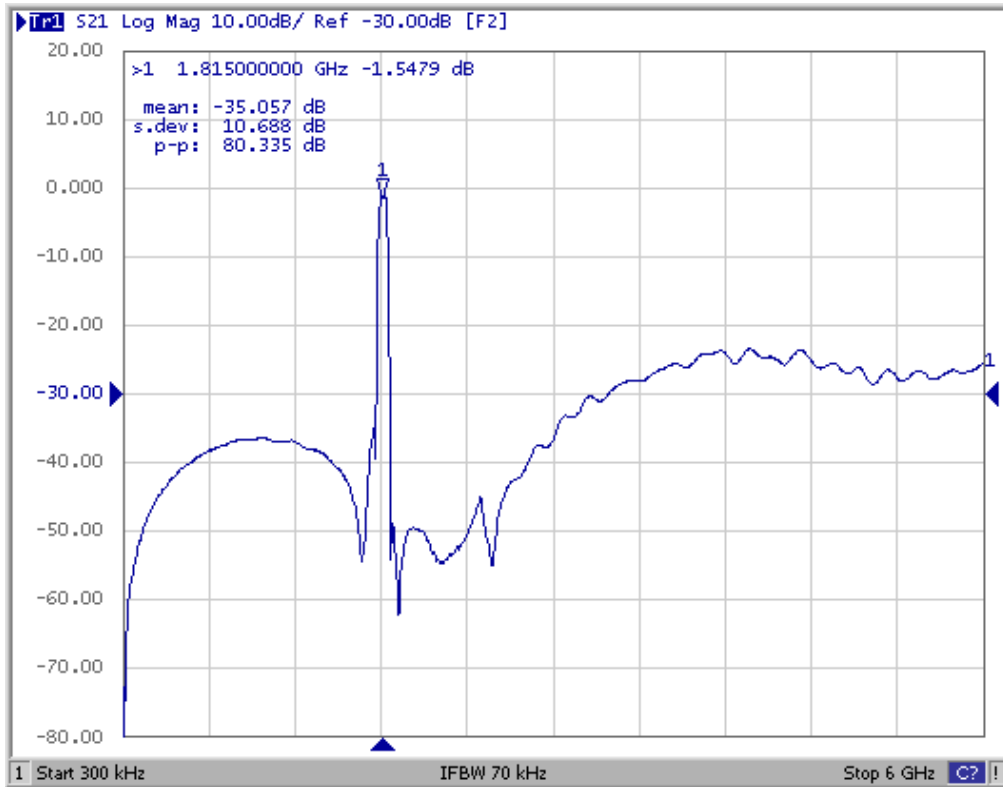
**E. PCB FOOTPRINT:**



**SAW Filter 1815.0MHz**  
**Part No: MP04387**

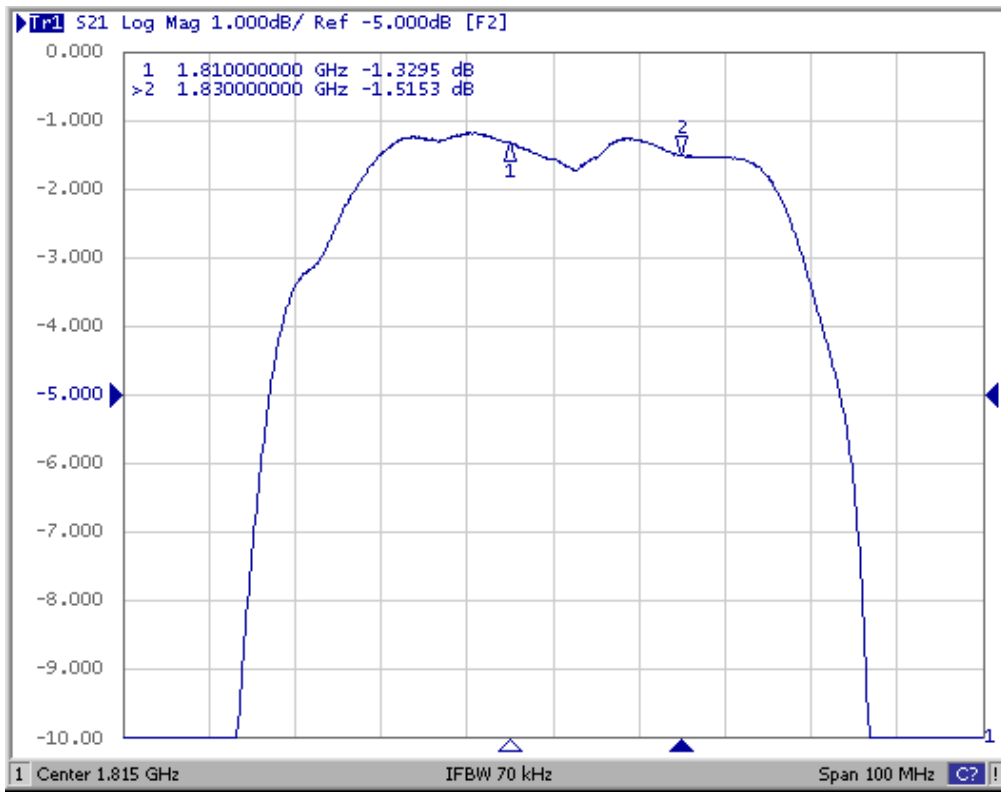
**Model: TA1169A**  
**Rev No: 1**

**F. FREQUENCY CHARACTERISTICS:**

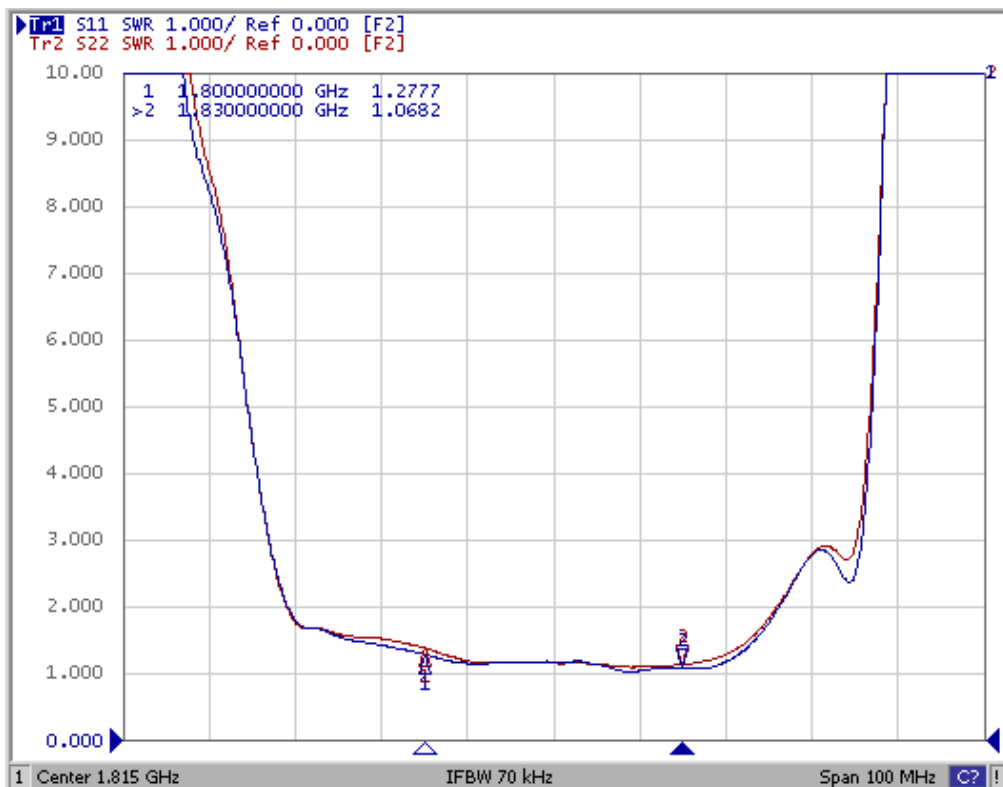


**SAW Filter 1815.0MHz**  
**Part No: MP04387**

**Model: TA1169A**  
**Rev No: 1**



### Reflection Functions



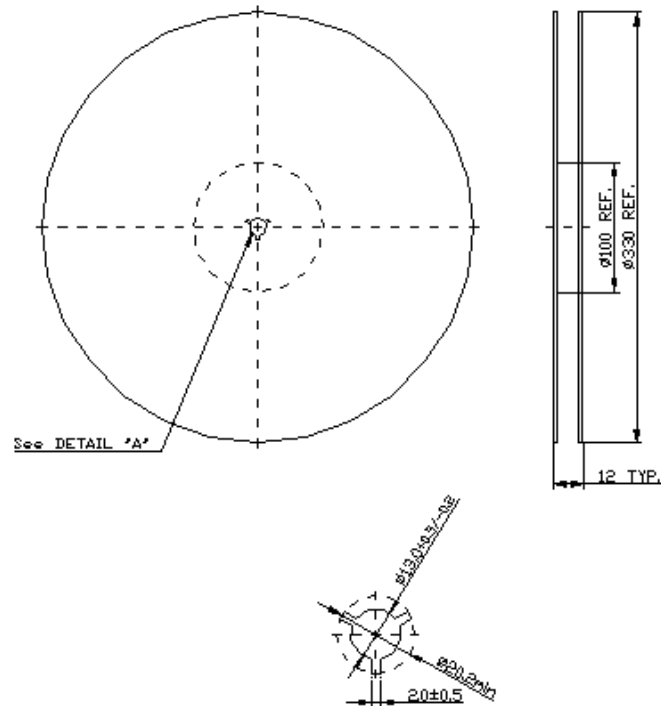
**SAW Filter 1815.0MHz**  
**Part No: MP04387**

**Model: TA1169A**  
**Rev No: 1**

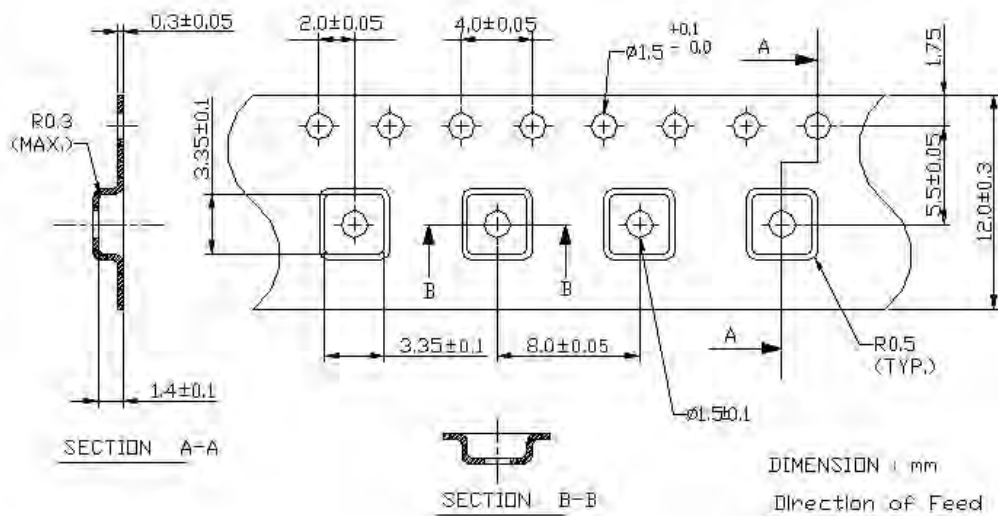
**G. PACKING:**

1. Reel Dimension

(Reel Count: 7" = 1000; 13" = 3000)



2. Tape Dimension



**SAW Filter 1815.0MHz**  
**Part No: MP04387**

**Model: TA1169A**  
**Rev No: 1**

**H. RECOMMENDED REFLOW PROFILE:**

