

SAW Filter 1890.0MHz

Model: TA1673A

Part No: MP05636

Rev. No: 1

A. MAXIMUM RATING:

Electrostatic Sensitive Device (ESD)

1. Input Power Level: 10dBm
2. DC Voltage: 5V
3. Operating Temperature: -10°C to +70°C
4. Storage Temperature: -40°C to +85°C

B. ELECTRICAL CHARACTERISTICS:

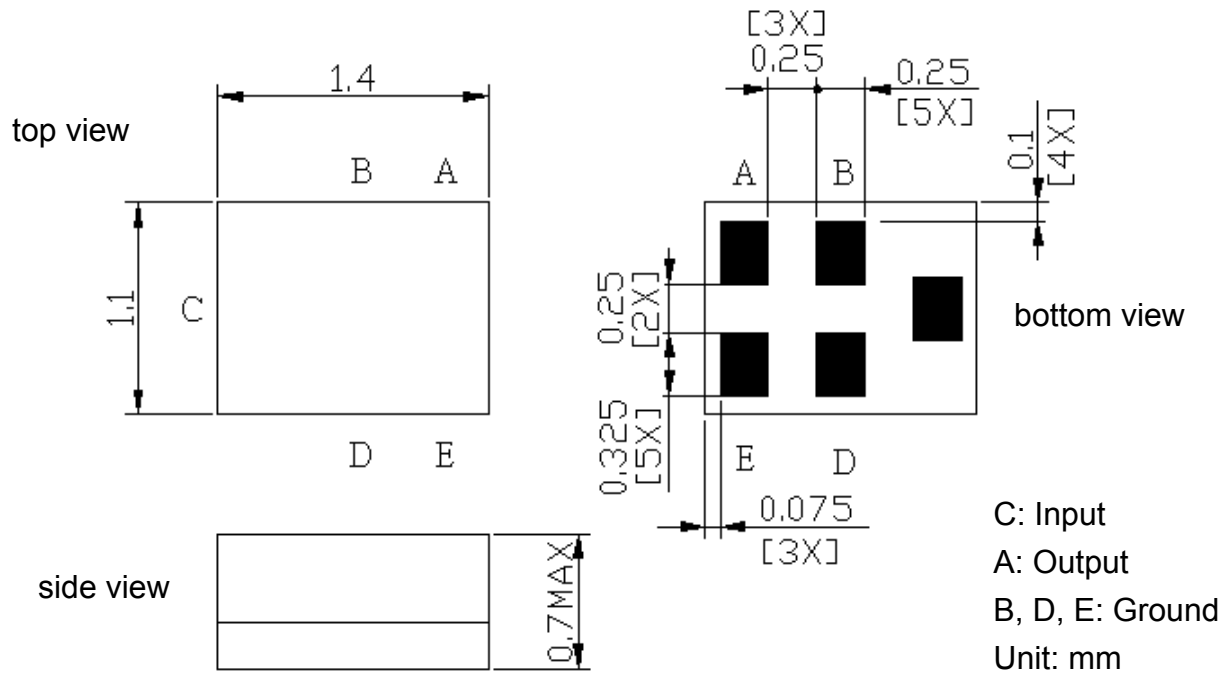
1. Terminating source impedance: $Z_S = 50\Omega$
2. Terminating load impedance: $Z_L = 50\Omega$

Item	Unit	Min.	Typ.	Max.	Note
Center Frequency Fc	MHz	-	1890	-	-
Insertion Loss (1881.792 ~ 1897.344MHz) IL	dB	-	2.2	3.5	-
Amplitude ripple (1881.792 ~ 1897.344MHz)	dB		0.8	2.2	
VSWR (1881.792 ~ 1897.344MHz)		-	1.6	2.3	-
Attenuation (Reference level from 0dB)		-			
10 ~ 1600MHz	dB	30	36		-
1600 ~ 1830MHz	dB	30	35		-
1920 ~ 1980MHz	dB	25	38		
2730 ~ 2820MHz	dB	30	40	-	-

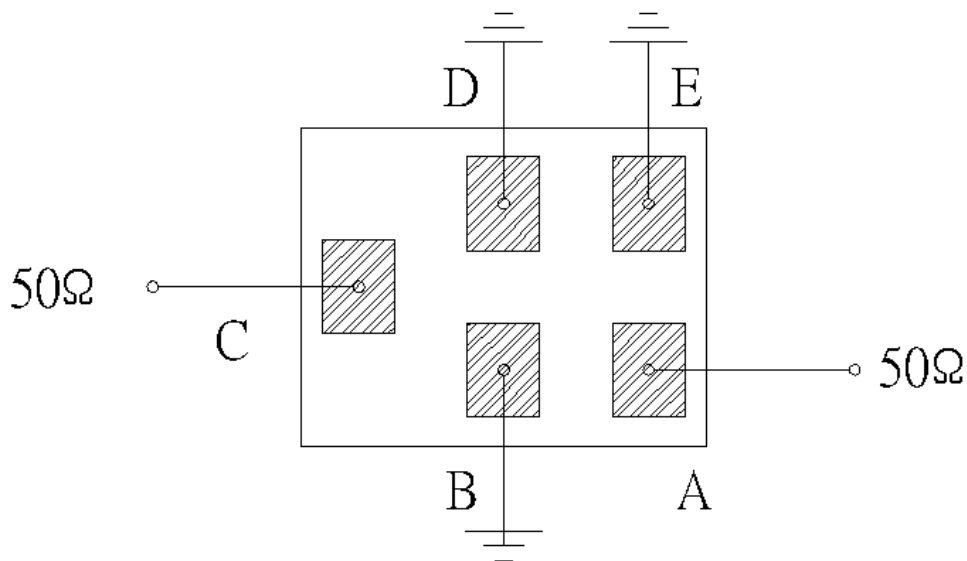
SAW Filter 1890.0MHz
Part No: MP05636

Model: TA1673A
Rev. No: 1

C. OUTLINE DRAWING:



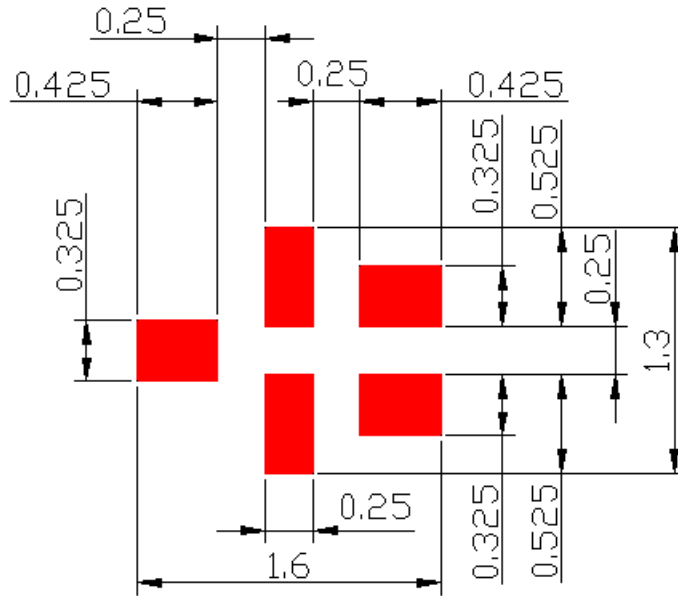
D. MEASUREMENT CIRCUIT:




SAW Filter 1890.0MHz
Part No: MP05636

Model: TA1673A
Rev. No: 1

E. PCB FOOTPRINT:



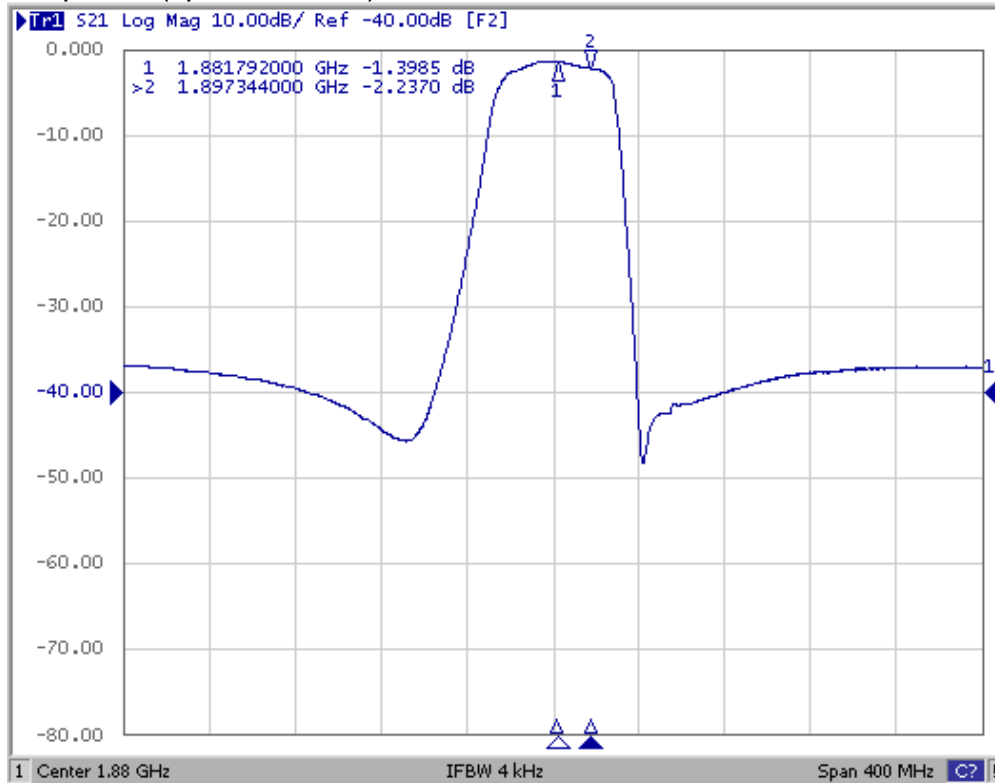
 : Land Pattern
Unit : mm

SAW Filter 1890.0MHz
Part No: MP05636

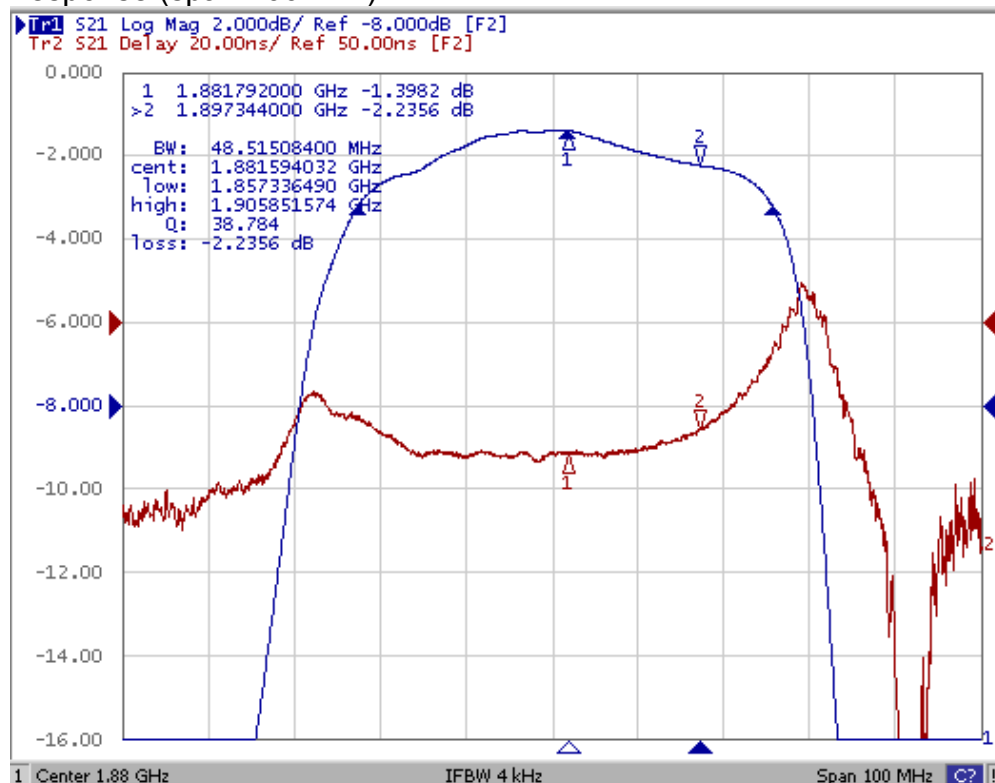
Model: TA1673A
Rev. No: 1

F. FREQUENCY CHARACTERISTICS:

1. S21 Response (span 400MHz):



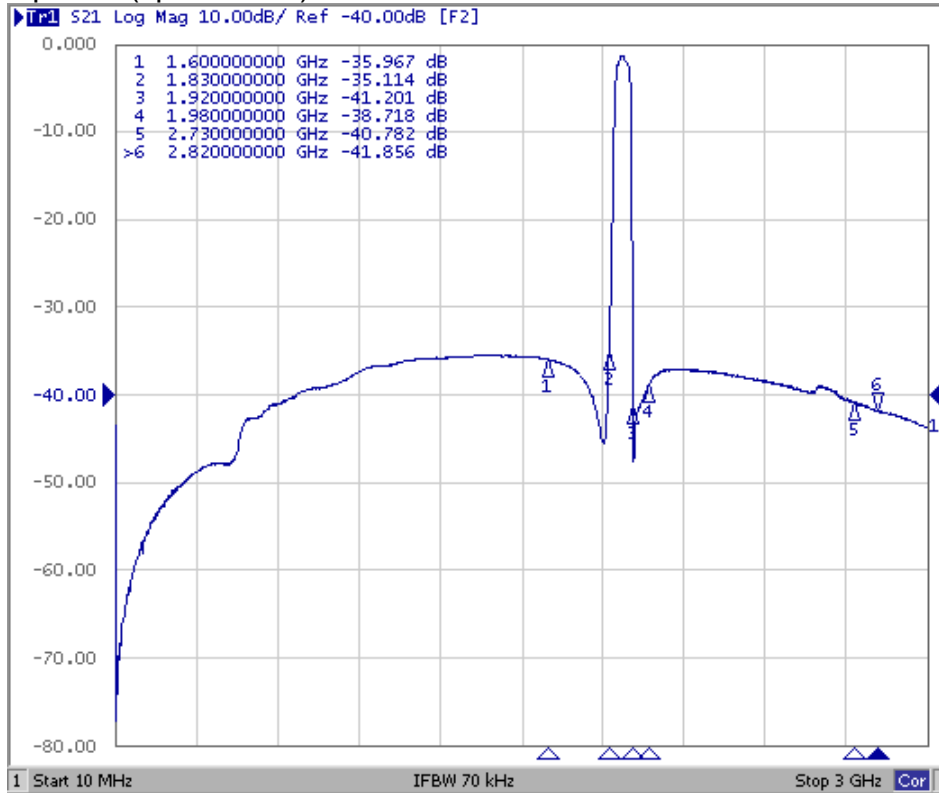
2. S21 Response (span 100MHz):



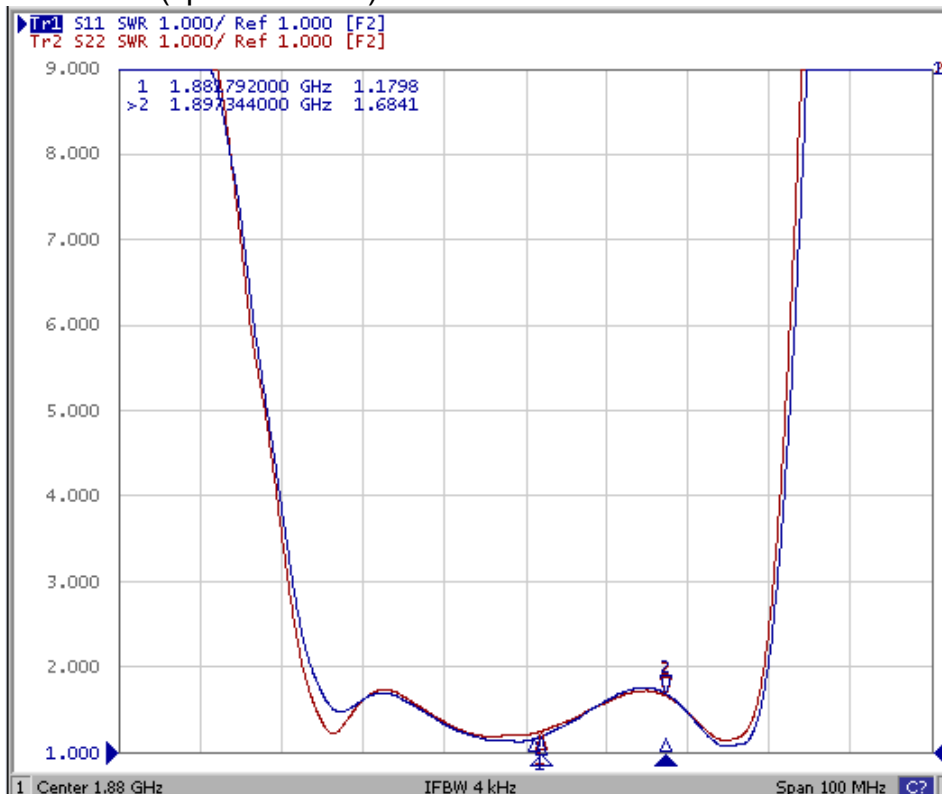
SAW Filter 1890.0MHz
Part No: MP05636

Model: TA1673A
Rev. No: 1

3. S21 Response (span 3GHz):



4. S11&S22 VSWR (span 100MHz):

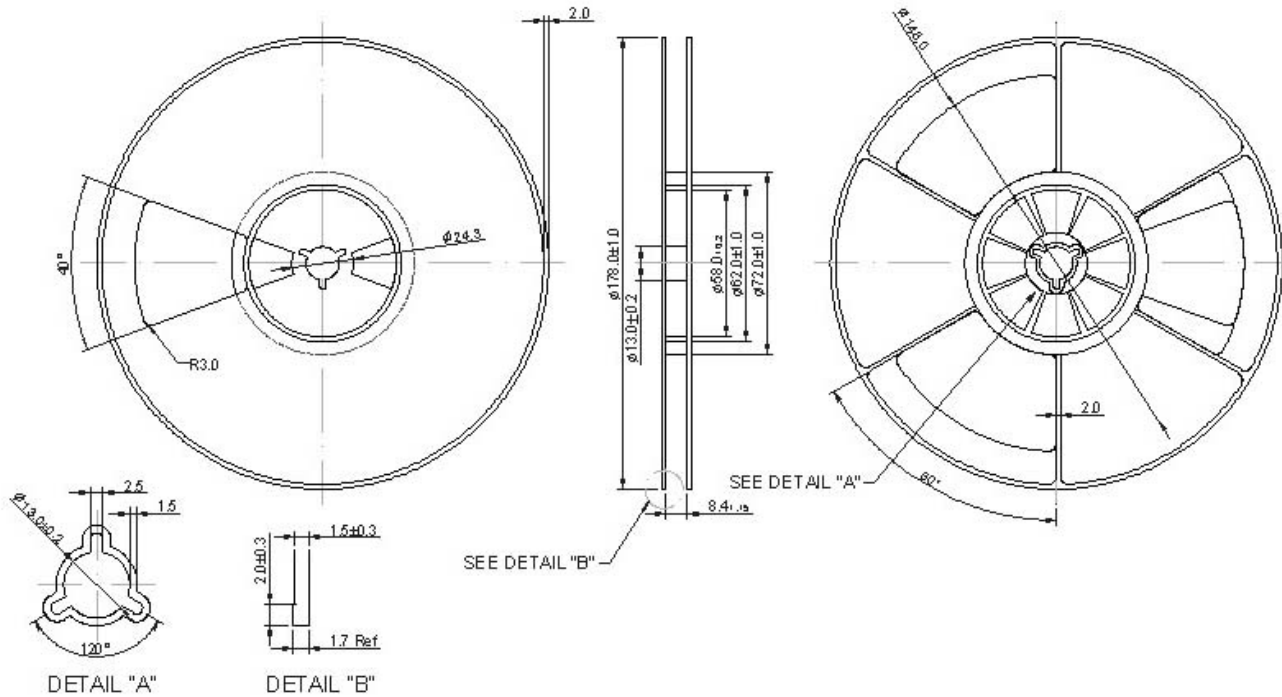


SAW Filter 1890.0MHz
Part No: MP05636

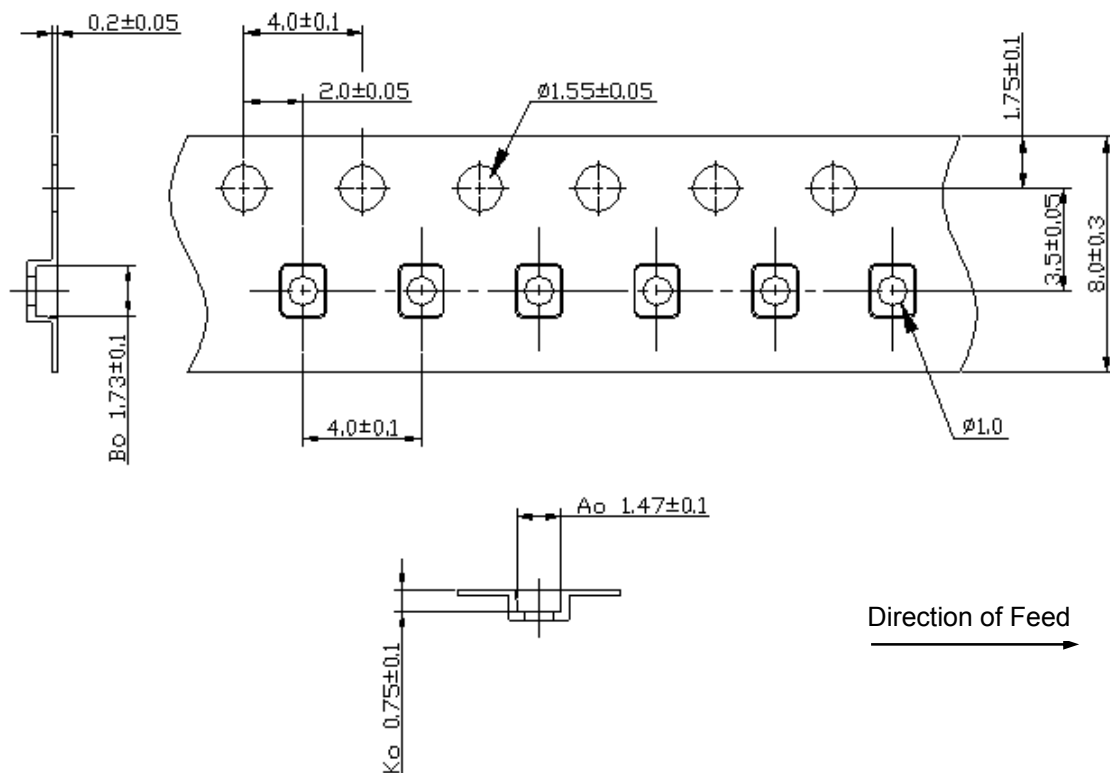
Model: TA1673A
Rev. No: 1

G. PACKING:

1. Reel Dimension



2. Tape Dimension



SAW Filter 1890.0MHz
Part No: MP05636

Model: TA1673A
Rev. No: 1

H. RECOMMENDED REFLOW PROFILE:

