

**SAW Filter 2067.5MHz**  
**Part No: MP03076**

**Model: TA0741B**  
**Rev No: 1**

**A. MAXIMUM RATING:**

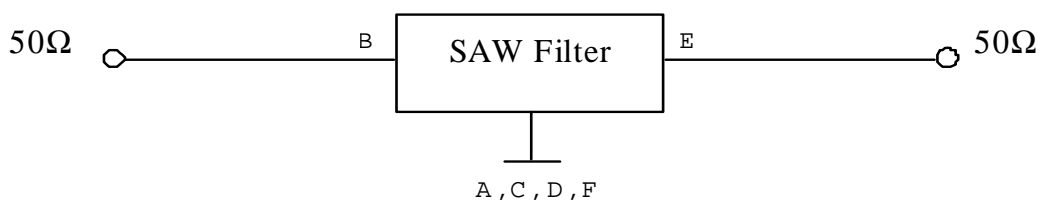
1. Input Power Level: 10dBm
2. DC Voltage: 3V
3. Operating Temperature: -40°C to +85°C
4. Storage Temperature: -40°C to +85°C

**B. ELECTRICAL CHARACTERISTICS:**

Item	Unit	Min.	Typ.	Max.	Note
Center Frequency Fc	MHz	-	2067.5	-	-
Insertion Loss (2025.5 ~ 2109.5MHz) IL	dB	-	3.3	4	-
Amplitude Ripple (2025.5 ~ 2109.5MHz)	dB	-	1.6	2.5	-
VSWR (2025.5 ~ 2109.5MHz)		-	2	2.5	-
Group Delay (2025.5 ~ 2109.5MHz)	ns	-	13	25	
Attenuation (Reference level from 0 dB)					
1994MHz	dB	10	30	-	-
1800MHz	dB	30	33	-	-
2300MHz	dB	30	36	-	-

**C. MEASUREMENT CIRCUIT:**

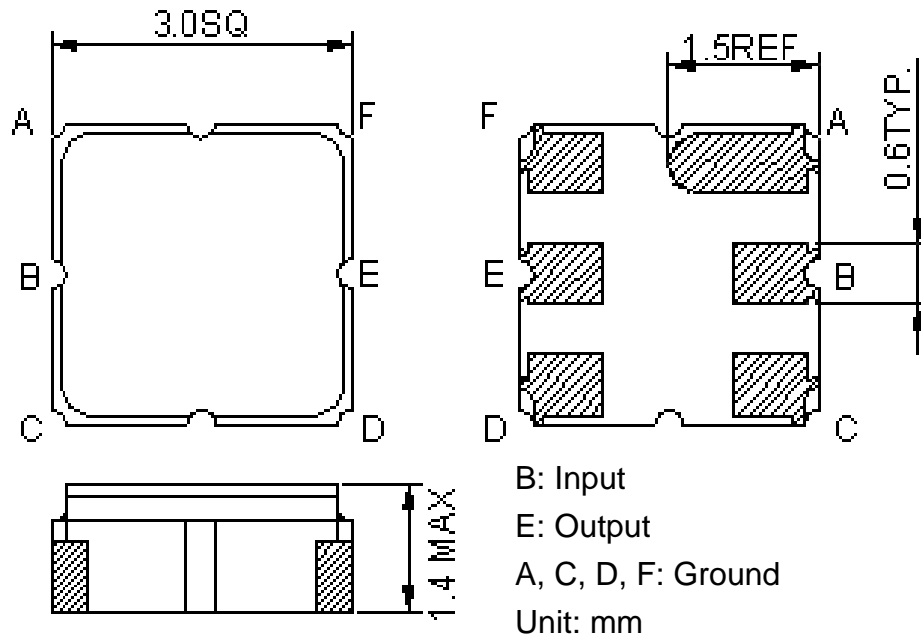
HP Network analyzer



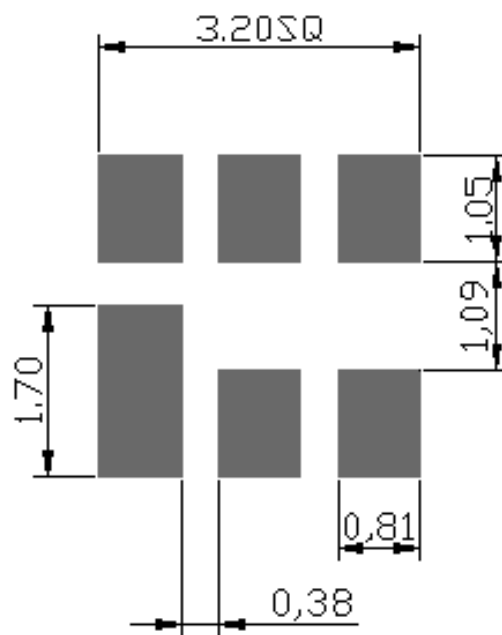
**SAW Filter 2067.5MHz**  
**Part No: MP03076**

**Model: TA0741B**  
**Rev No: 1**

**D. OUTLINE DRAWING:**



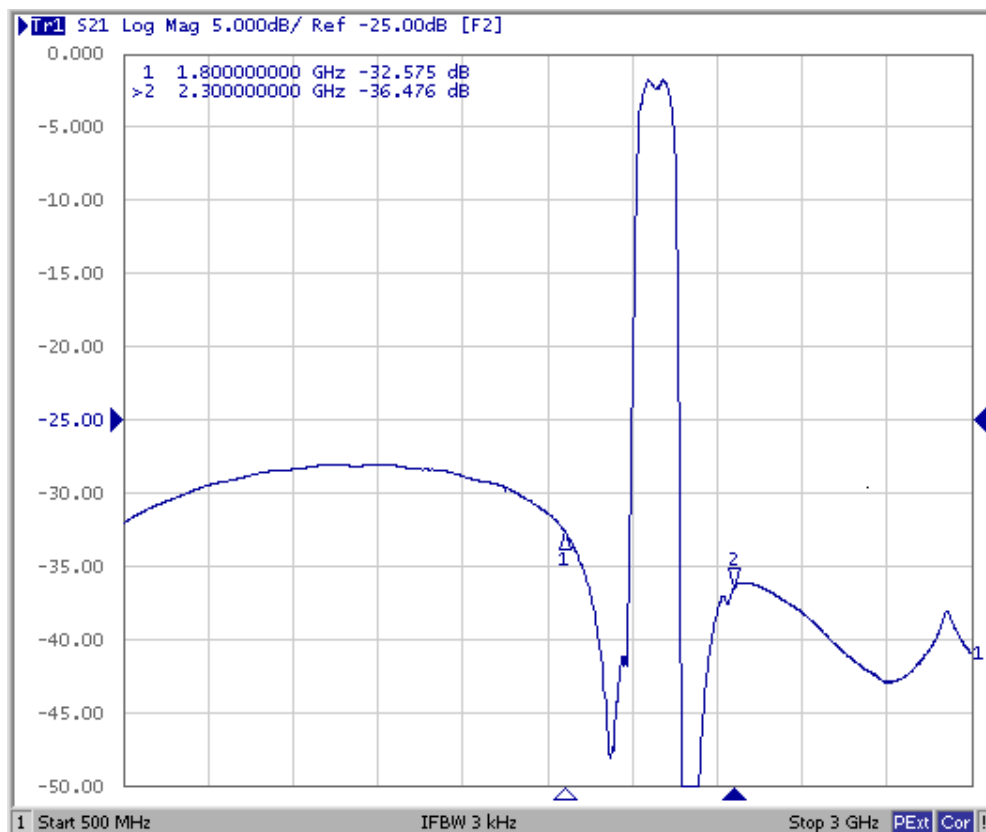
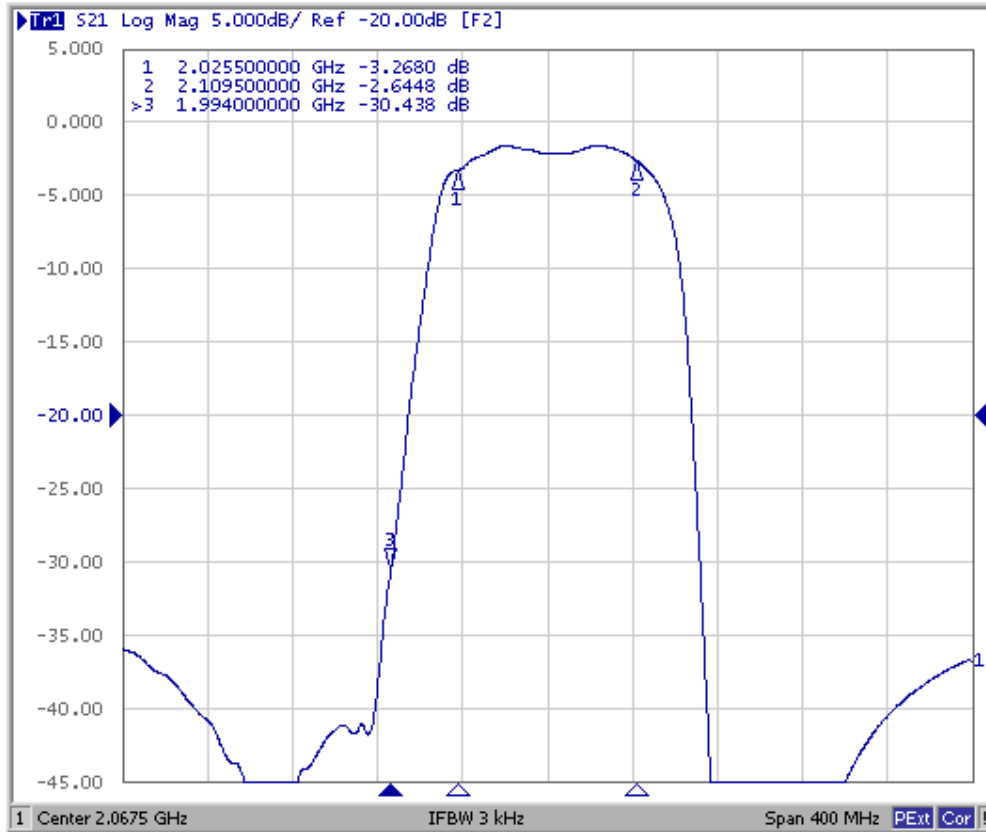
**E. PCB FOOTPRINT:**



**SAW Filter 2067.5MHz**  
**Part No: MP03076**

**Model: TA0741B**  
**Rev No: 1**

**F. FREQUENCY CHARACTERISTICS:**

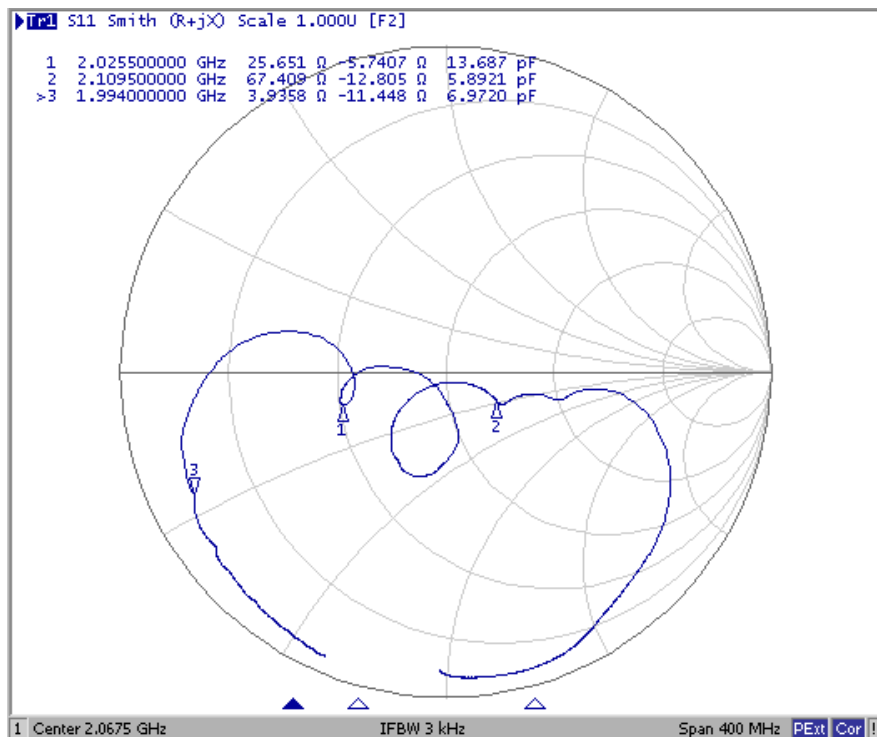
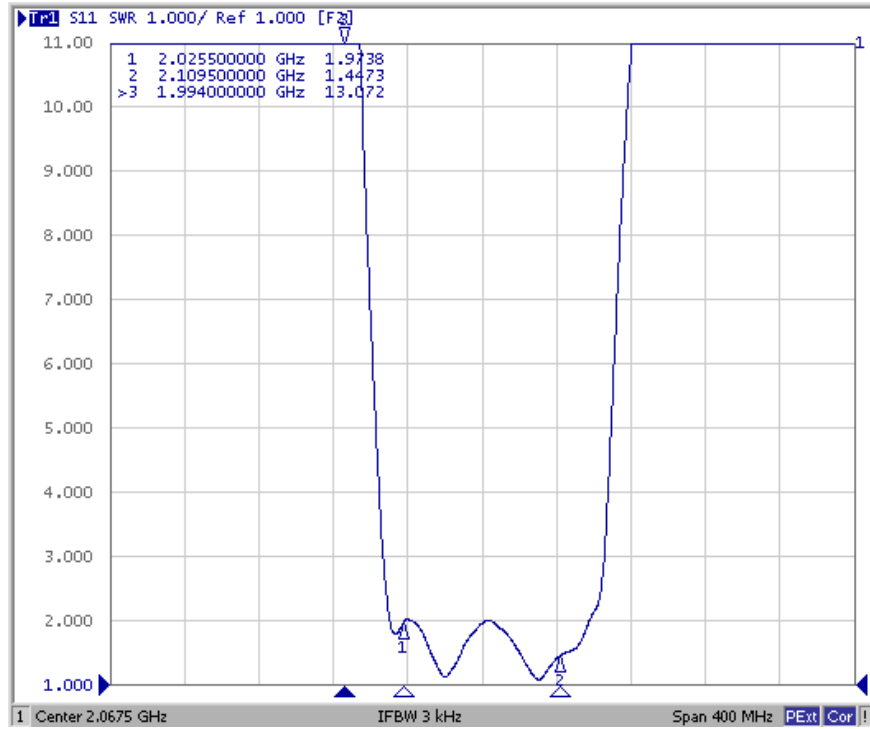


**SAW Filter 2067.5MHz**  
**Part No: MP03076**

**Model: TA0741B**  
**Rev No: 1**

Reflection Functions

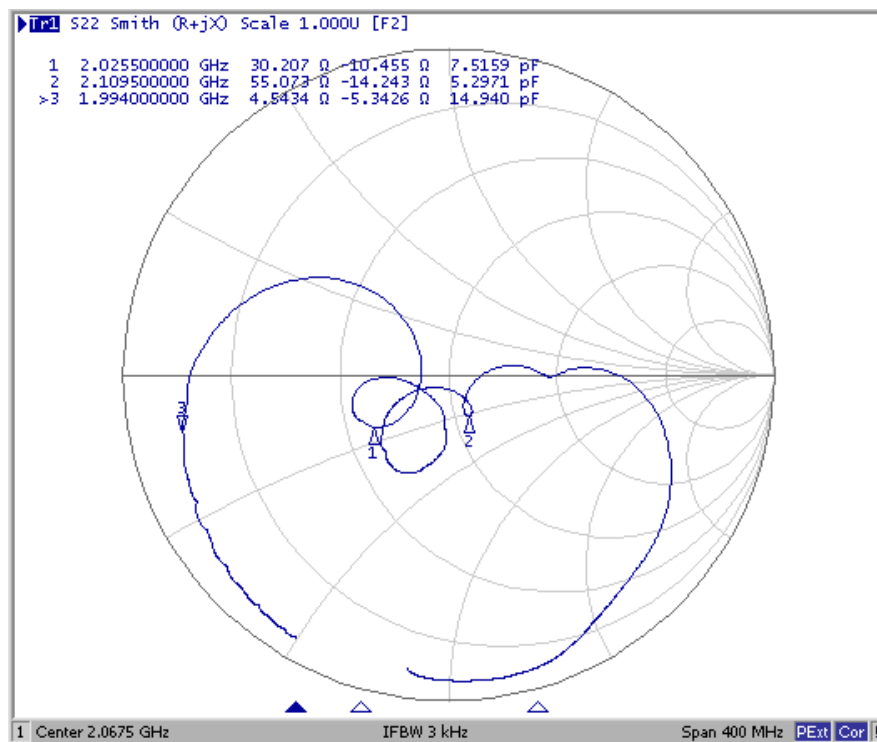
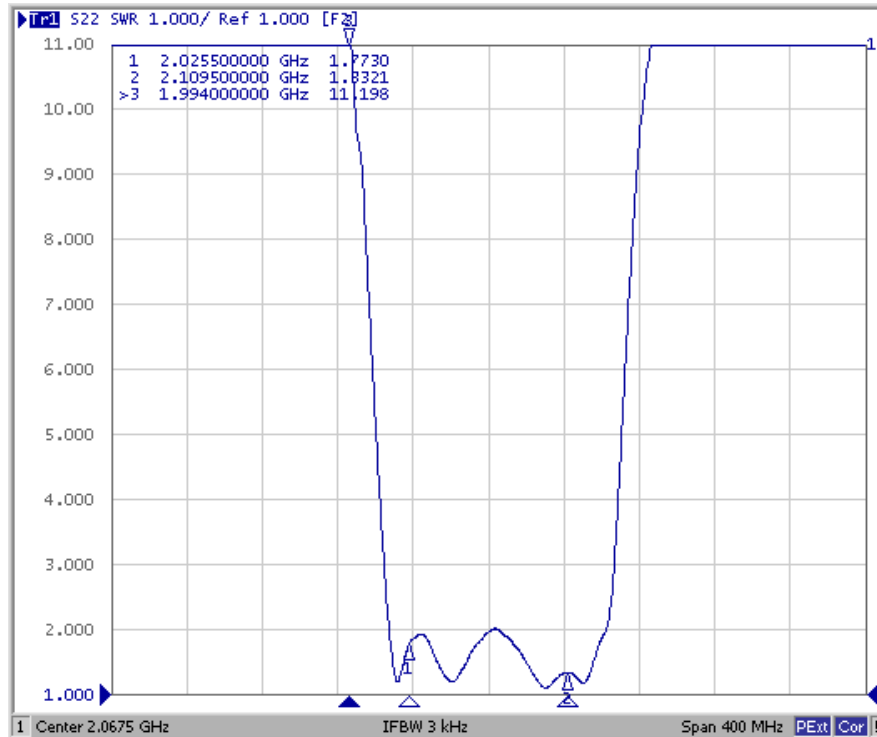
S11



**SAW Filter 2067.5MHz**  
**Part No: MP03076**

**Model: TA0741B**  
**Rev No: 1**

S22



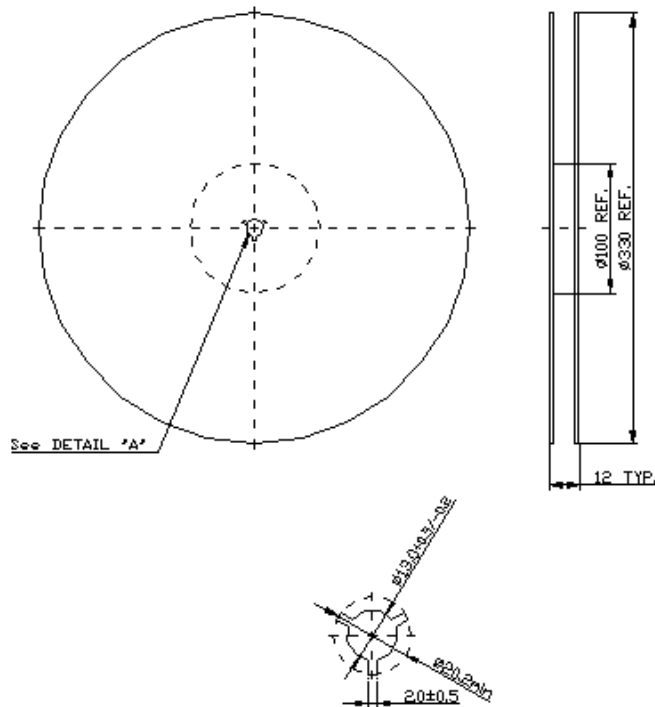
**SAW Filter 2067.5MHz**  
**Part No: MP03076**

**Model: TA0741B**  
**Rev No: 1**

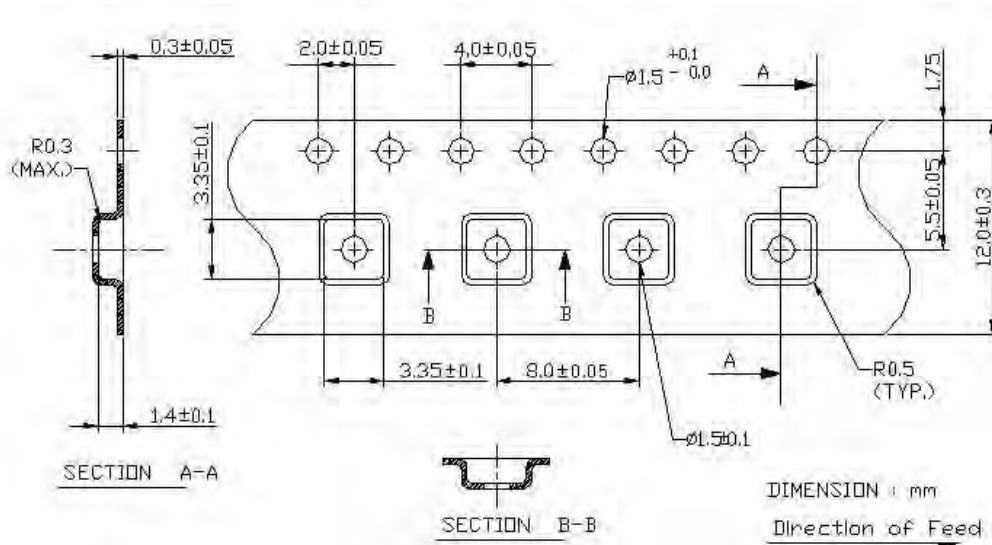
**G. PACKING:**

**1. REEL DIMENSION**

(Reel Count: 7" = 1000; 13" = 3000)



**2. TAPE DIMENSION**



**SAW Filter 2067.5MHz**  
**Part No: MP03076**

**Model: TA0741B**  
**Rev No: 1**

**H. RECOMMENDED REFLOW PROFILE:**

