

**SAW Filter 1542.0MHz**  
**Part No: MP04887**

**Model: TA1379A**  
**Rev No: 1**

**A. MAXIMUM RATING:**

Electrostatic Sensitive Device (ESD)

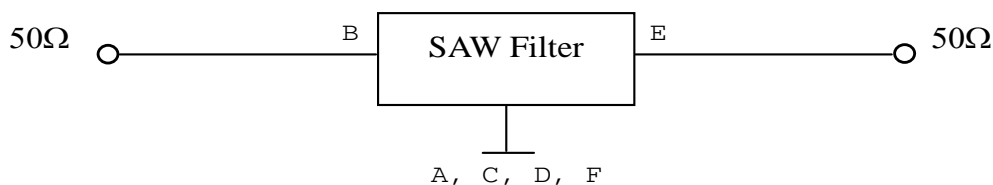
1. Input Power Level: 15dBm
2. DC Voltage: 5V
3. Operating Temperature: -30°C to +85°C
4. Storage Temperature: -40°C to +95°C

**B. ELECTRICAL CHARACTERISTICS:**

Item	Unit	Min.	Typ.	Max.
Center frequency Fc	MHz	-	1542	-
Insertion loss IL (1525 ~ 1559MHz)	dB	-	2.8	3
Amplitude ripple (1525 ~ 1559MHz)	dB	-	1.6	1.8
VSWR (1525 ~ 1559MHz)		-	1.7	2
Attenuation (reference from 0dB)				
0.3 ~ 1300MHz	dB	30	37	-
1300 ~ 1480MHz	dB	25	39	-
1630 ~ 3500MHz	dB	30	32	-
Source impedance Z <sub>S</sub>	Ω	-	50	-
Load impedance Z <sub>L</sub>	Ω	-	50	-

**C. MEASUREMENT CIRCUIT:**

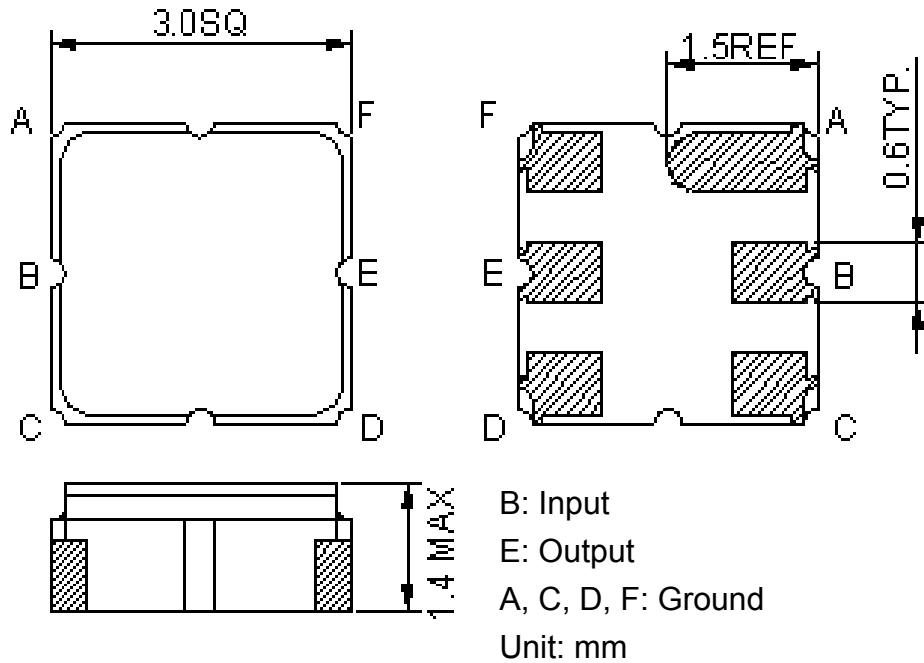
HP Network analyzer



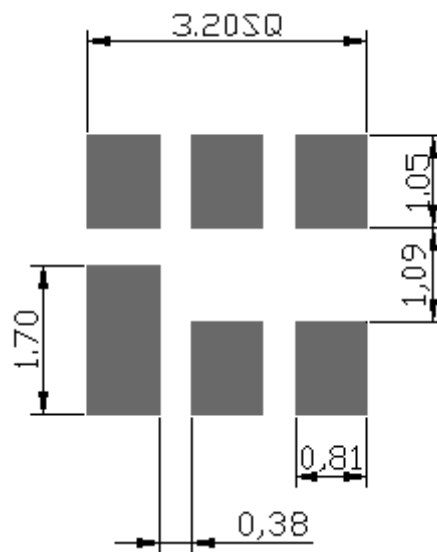
**SAW Filter 1542.0MHz**  
**Part No: MP04887**

**Model: TA1379A**  
**Rev No: 1**

**D. OUTLINE DRAWING:**



**E. PCB FOOTPRINT:**

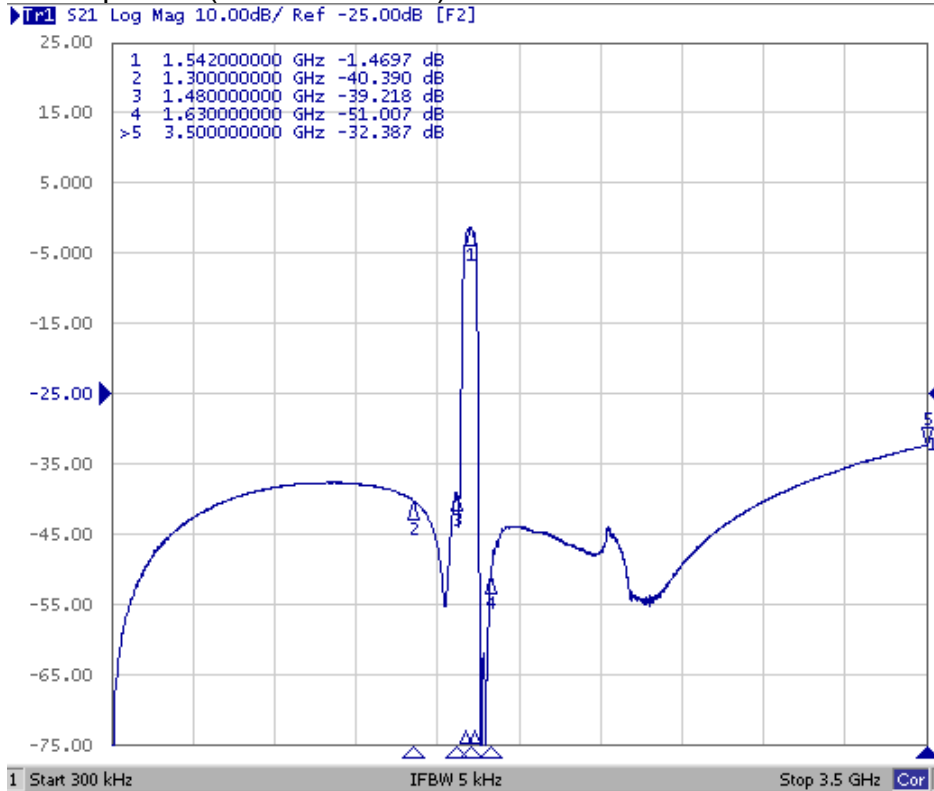


**SAW Filter 1542.0MHz**  
**Part No: MP04887**

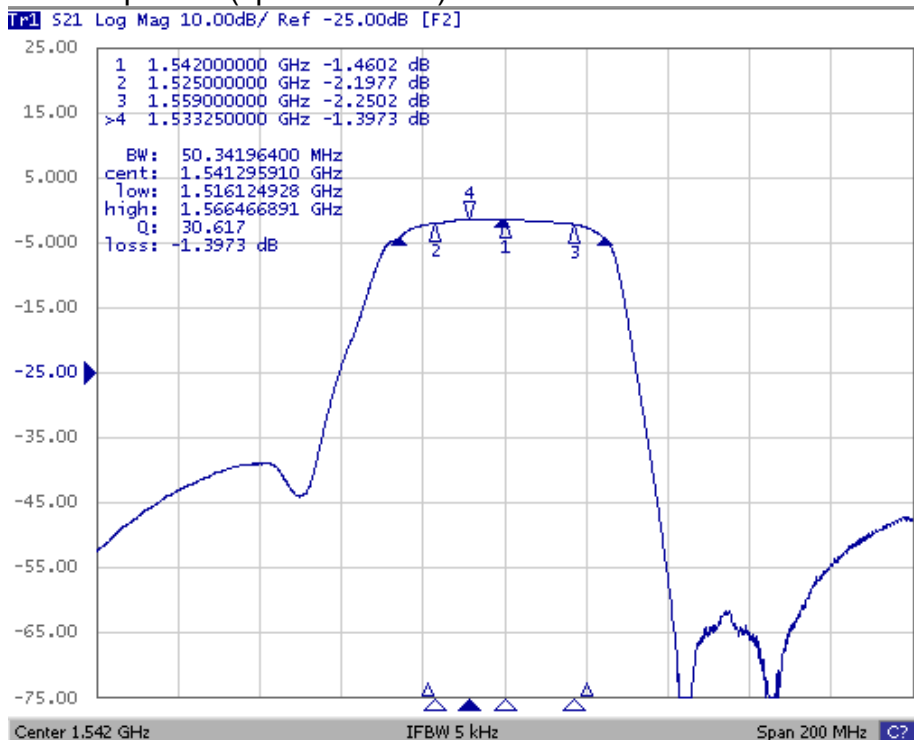
**Model: TA1379A**  
**Rev No: 1**

**F. FREQUENCY CHARACTERISTICS:**

**1. Wideband response: (0.3 ~ 3500MHz)**



**2. Narrowband response: (span 200MHz)**

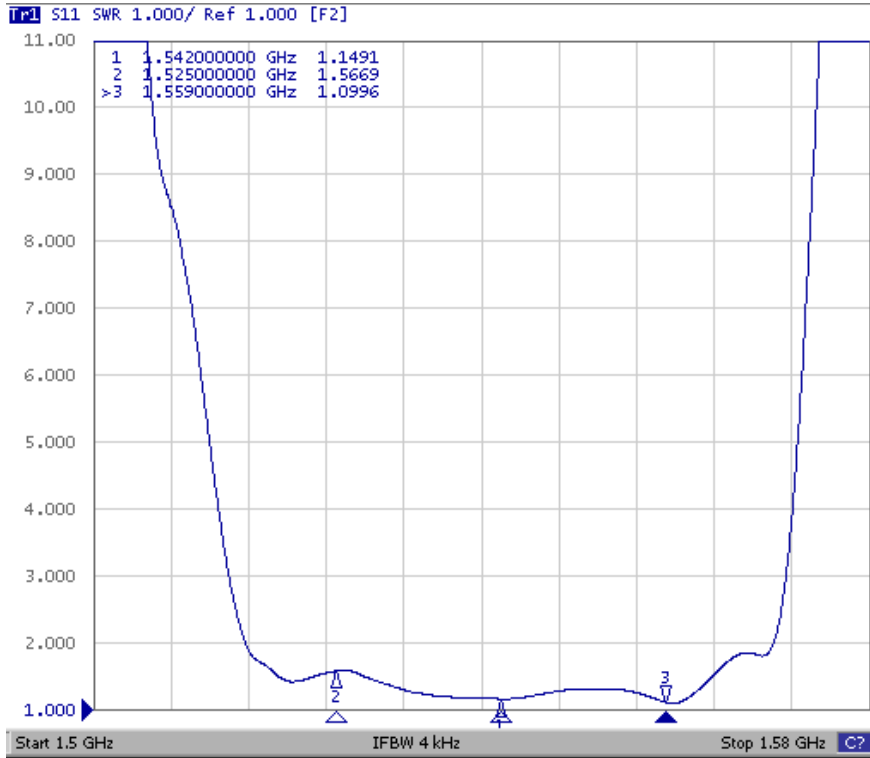


**SAW Filter 1542.0MHz**  
**Part No: MP04887**

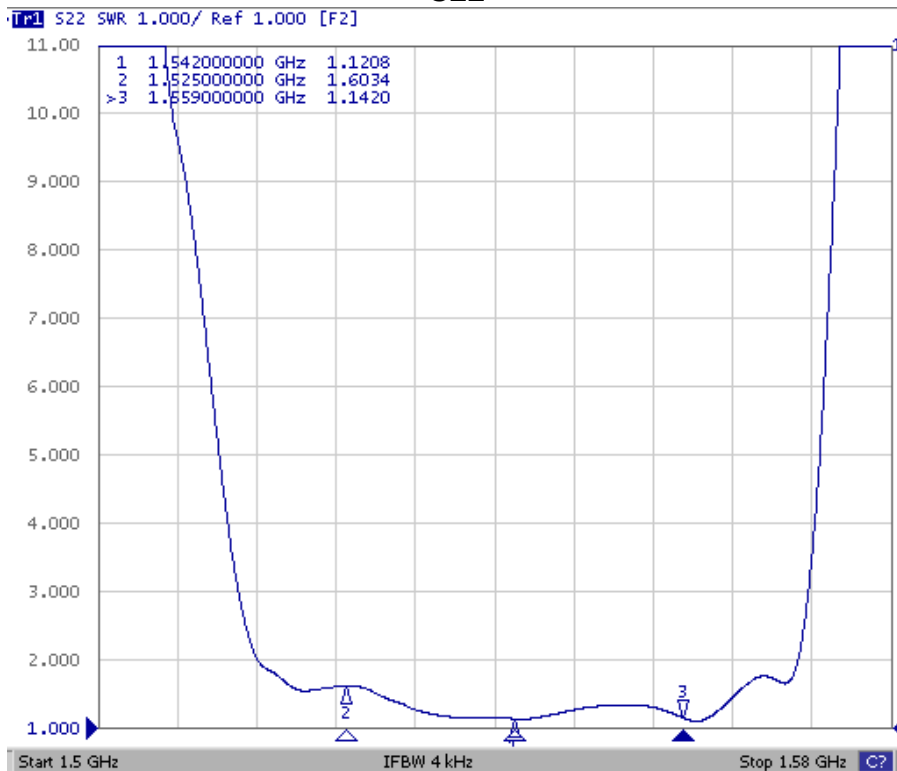
**Model: TA1379A**  
**Rev No: 1**

3. VSWR (span 200MHz)

S11



S22



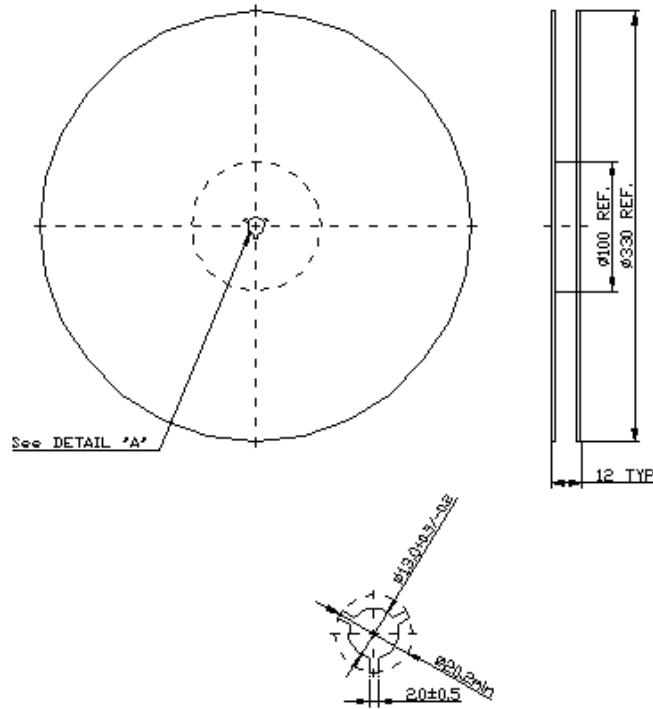
**SAW Filter 1542.0MHz**  
**Part No: MP04887**

**Model: TA1379A**  
**Rev No: 1**

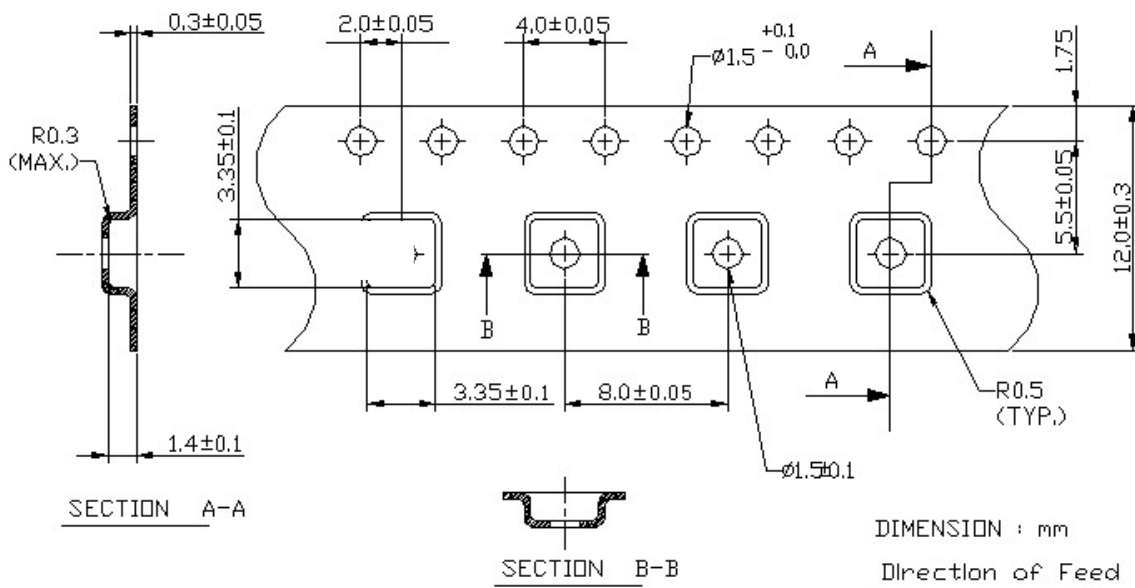
**G. PACKING:**

1. Reel Dimension

(Reel Count: 7" = 1000; 13" = 3000)



2. Tape Dimension



**SAW Filter 1542.0MHz**  
**Part No: MP04887**

**Model: TA1379A**  
**Rev No: 1**

**H. RECOMMENDED REFLOW PROFILE:**

