

SAW Filter 2595.0MHz

Model: TA1426B

Part No: MP05121

Rev No: 1

A. MAXIMUM RATING:

Electrostatic Sensitive Device (ESD)

1. Input Power Level: 10dBm
2. DC Voltage: 3V
3. Operating Temperature: -30°C to +85°C
4. Storage Temperature: -40°C to +85°C

B. ELECTRICAL CHARACTERISTICS:

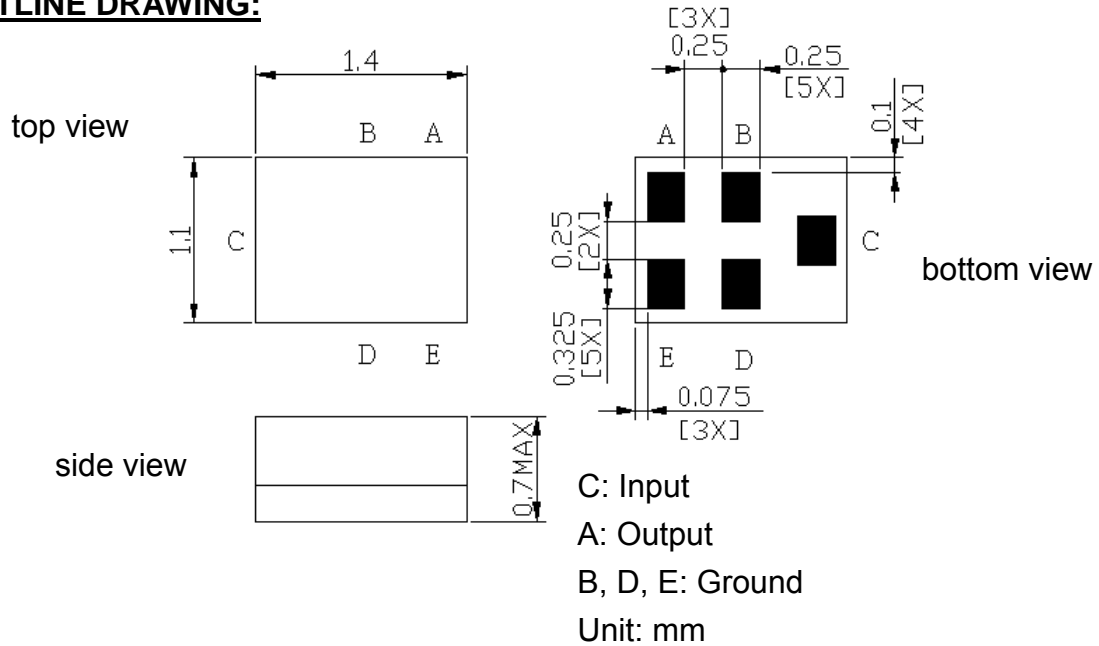
1. Terminating source impedance: $Z_S = 50\Omega$
2. Terminating load impedance: $Z_L = 50\Omega$

Item	Unit	Min.	Typ.	Max.	Note
Center Frequency Fc	MHz	-	2595	-	-
Max. Insertion Loss (2570 ~ 2620 MHz) IL	dB	-	2.1	3.8	-
Amplitude ripple (2570 ~ 2620MHz)	dB	-	0.9	1.8	-
VSWR (2570 ~ 2620 MHz)		-	1.5	2.3	-
Attenuation (Reference level from 0dB)					
0.1 ~ 200MHz	dB	40	48	-	-
200 ~ 2485MHz	dB	30	31.5	-	-
2485 ~ 2510MHz	dB	20	42	-	-
2680 ~ 2705MHz	dB	20	50	-	-
2705 ~ 3000MHz	dB	35	36	-	-
3000 ~ 4000MHz	dB	20	37	-	-
4000 ~ 4900MHz	dB	20	49	-	-
4900 ~ 6000MHz	dB	25	40	-	-
Temperature Coefficient of Frequency	ppm/°C	-	-36	-	-

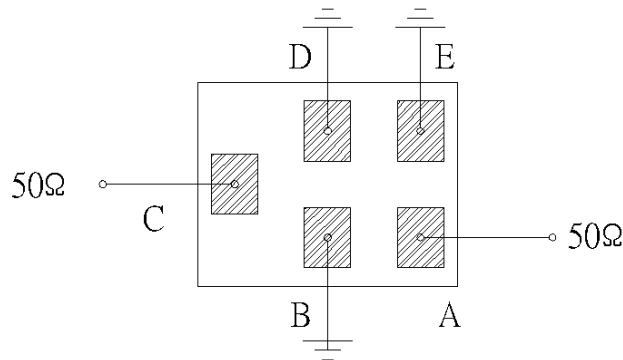
SAW Filter 2595.0MHz
Part No: MP05121

Model: TA1426B
Rev No: 1

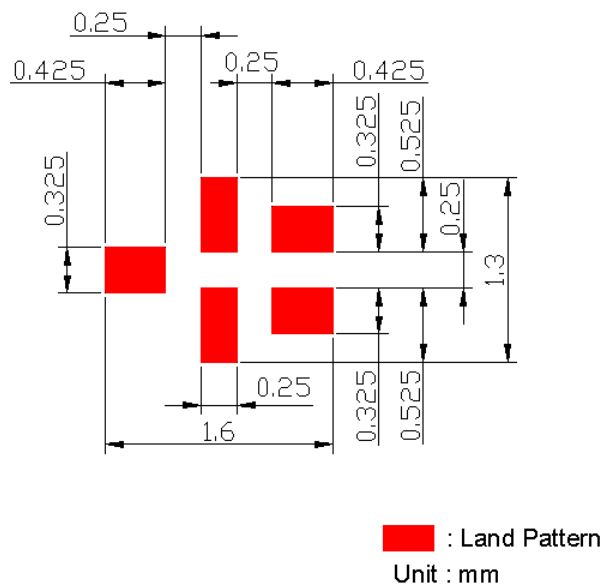
C. OUTLINE DRAWING:



D. MEASUREMENT CIRCUIT:



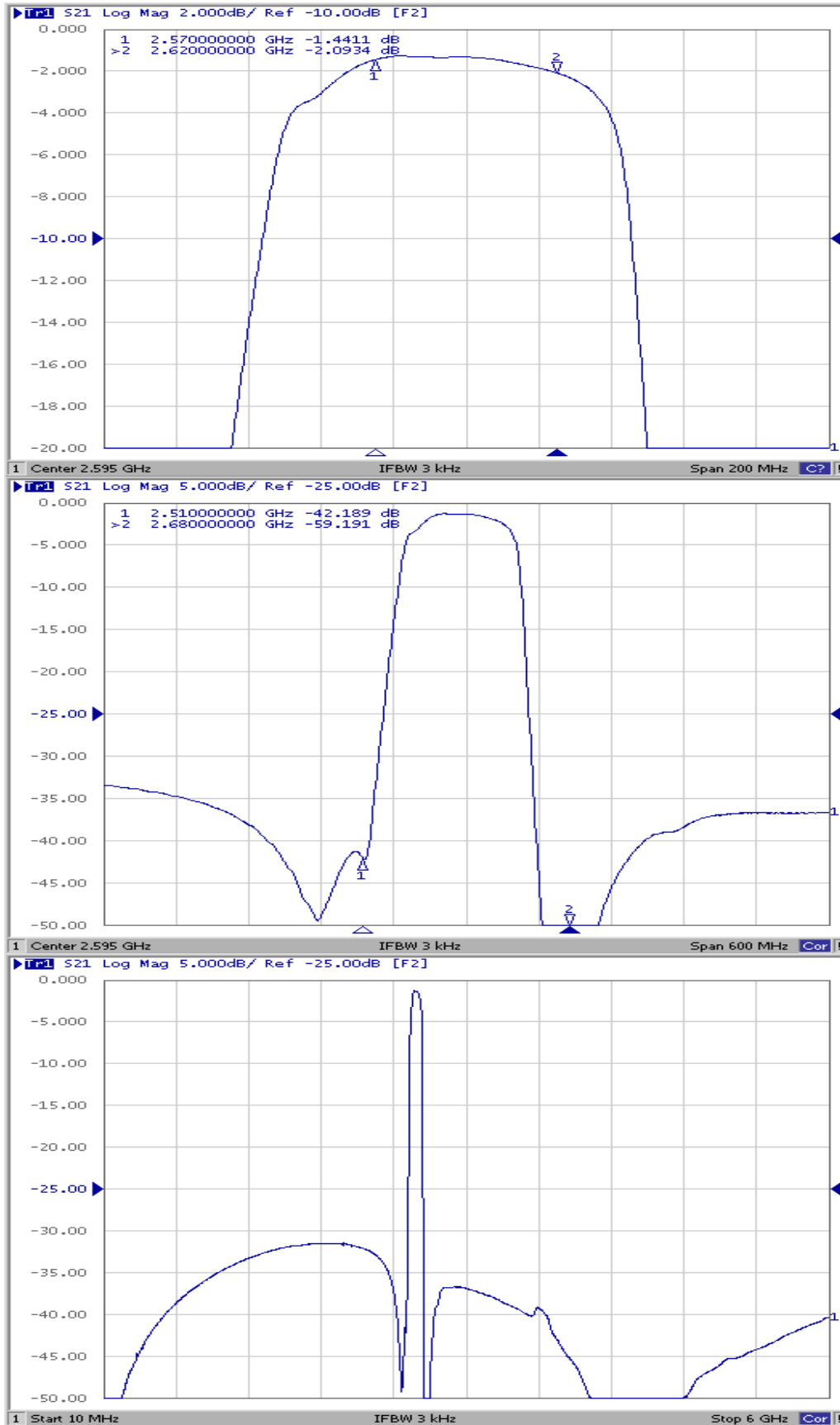
E. PCB FOOTPRINT:



SAW Filter 2595.0MHz
Part No: MP05121

Model: TA1426B
Rev No: 1

F. FREQUENCY CHARACTERISTICS:

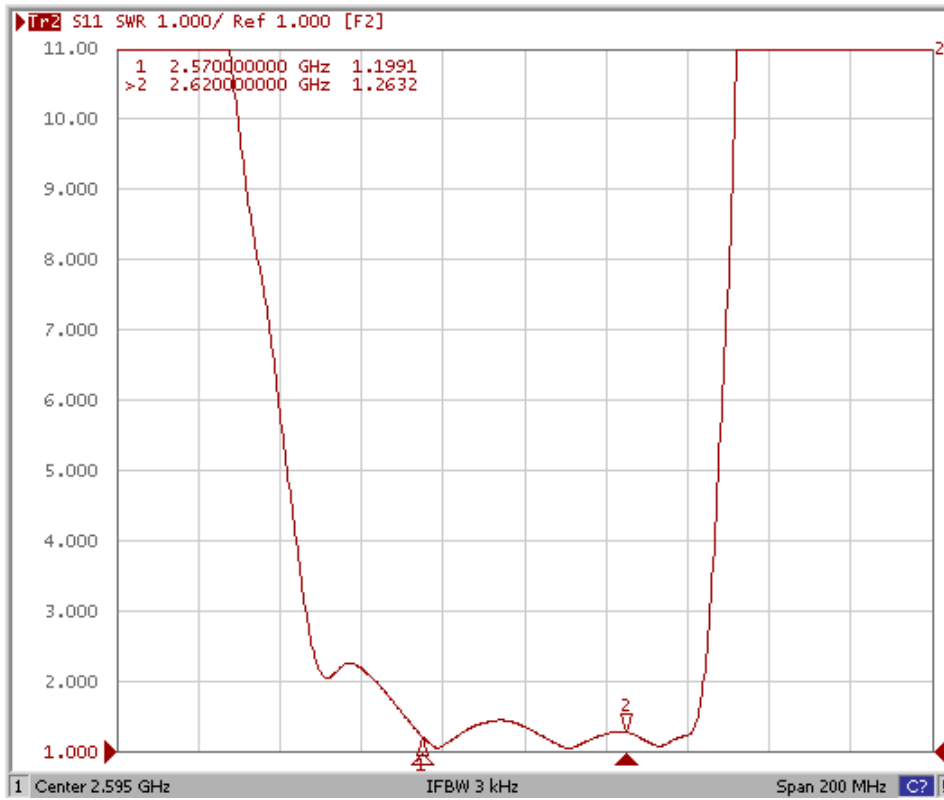


SAW Filter 2595.0MHz
Part No: MP05121

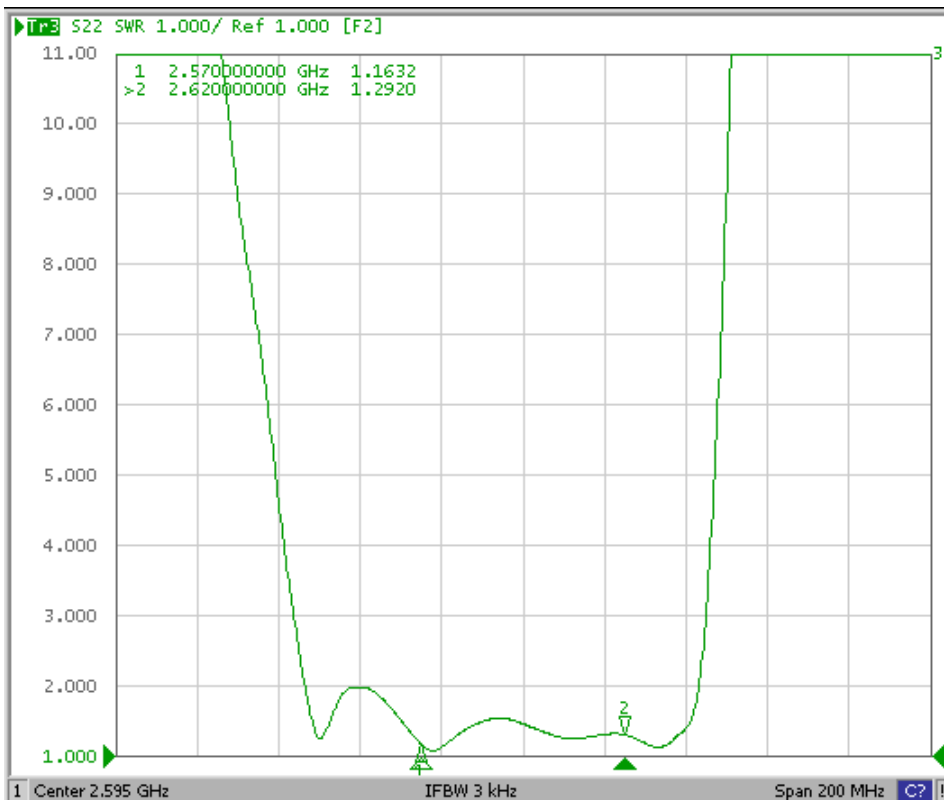
Model: TA1426B
Rev No: 1

Reflection Functions

S11



S22



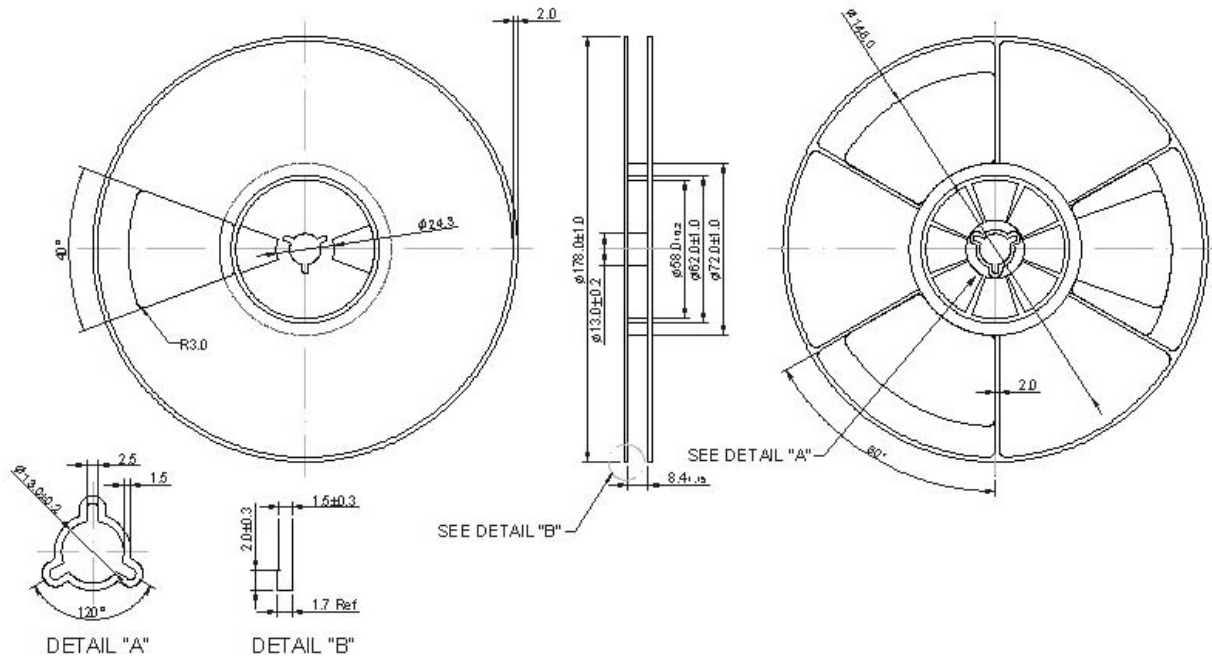
SAW Filter 2595.0MHz
Part No: MP05121

Model: TA1426B
Rev No: 1

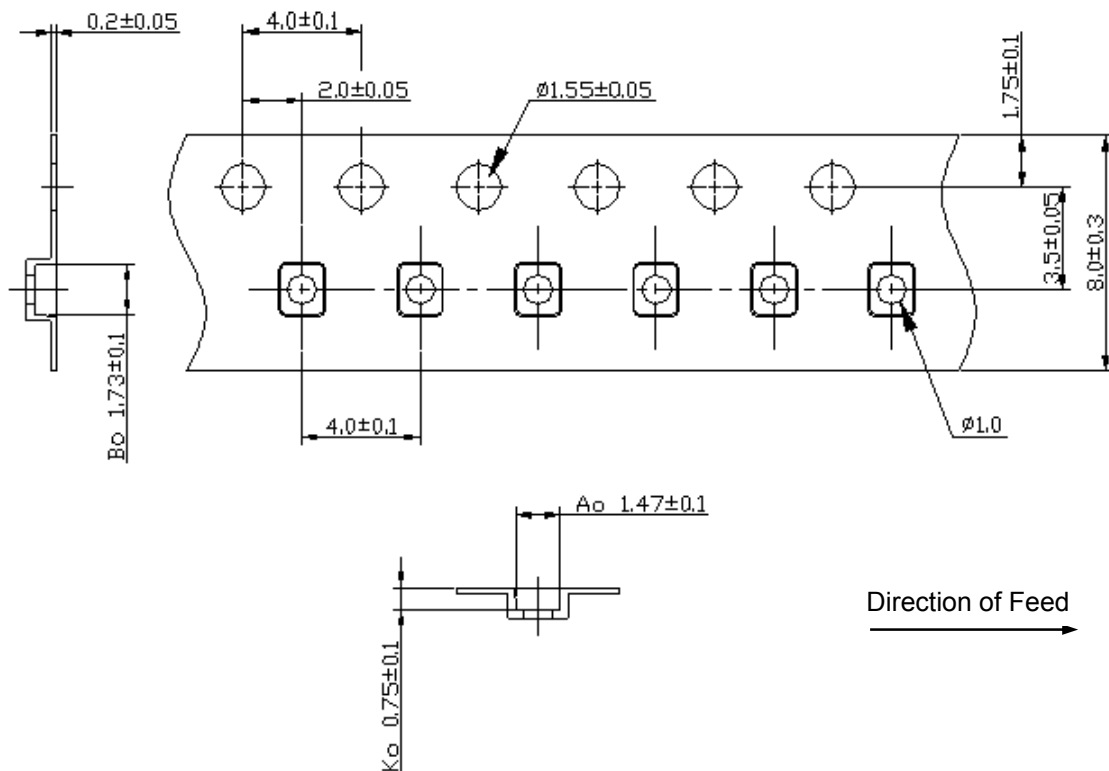
G. PACKING:

1. Reel Dimension

(Please refer to FR-75D10 for packing quantity)



2. Tape Dimension

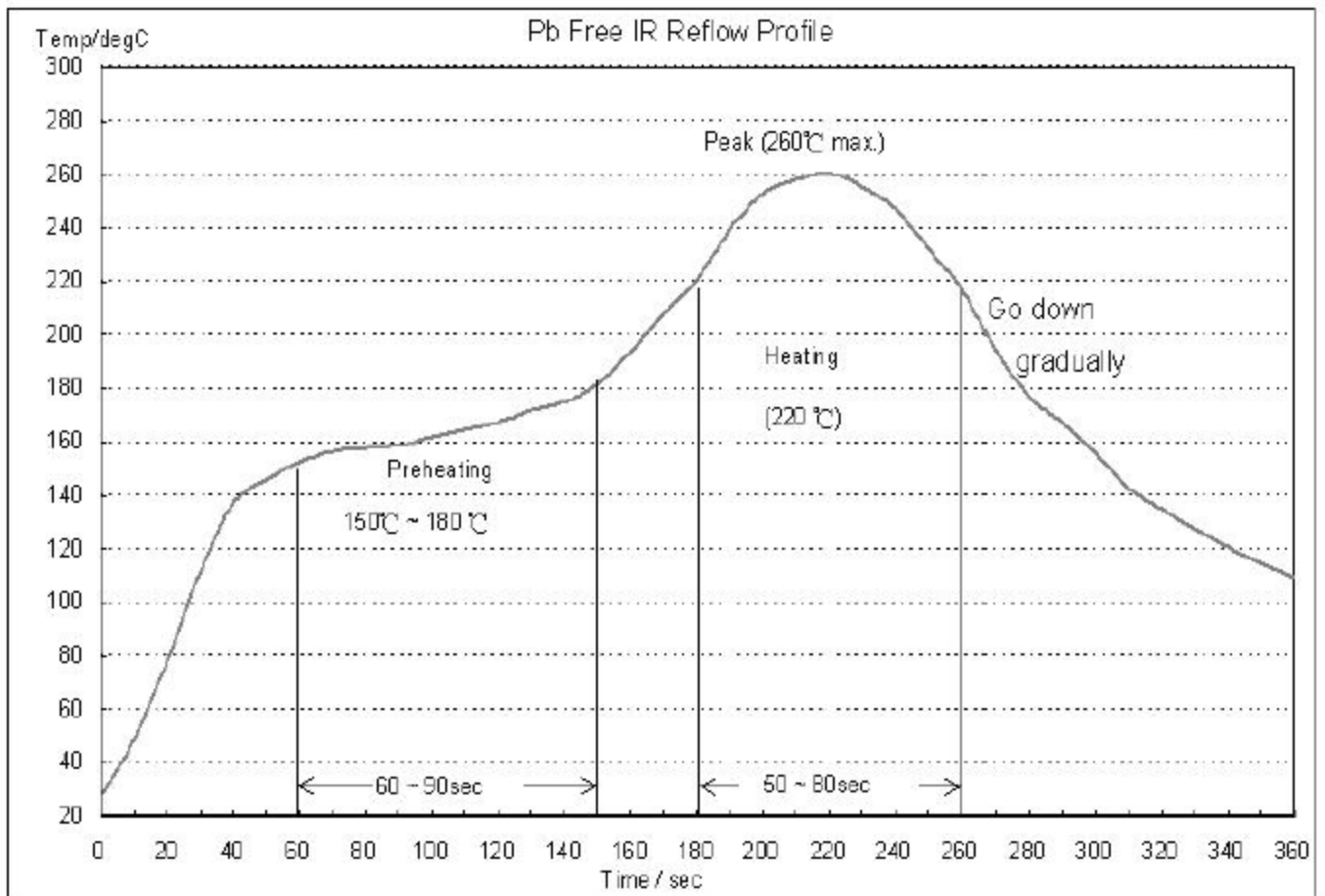


SAW Filter 2595.0MHz
Part No: MP05121

Model: TA1426B
Rev No: 1

H. RECOMMENDED REFLOW PROFILE:

1. Preheating shall be fixed at 150 ~ 180°C for 60 ~ 90 seconds.
2. Ascending time to preheating temperature 150°C shall be 30 seconds min.
3. Heating shall be fixed at 220°C for 50 ~ 80 seconds and at 245 ~ 260°C peak (min. 10 sec).
4. Time: 2 times.



SAW Filter 2595.0MHz

Model: TA1426B

Part No: MP05121

Rev No: 1

I. STORAGE CONDITIONS:

1. Store in manufacturer's package or tightly reclosed box with the following conditions. [Temperature: -10 + 40°C, Humidity: 30 85%RH] Examine solderability before using this component, since more than 6 months storage might be a cause of degradation of solderability. Notice that long-term storage might be a cause of the discoloration.

2. To keep solderability of outer-electrode, do not store in the following environments.

- Ambient air containing corrosive gas (C12, H2S, NH3, SOX, NOX, etc).
- Ambient air containing volatile or combustible gas.
- In dusty place.
- In the places where the water splashes and it tends to condense for high humid.
- In direct sunlight.
- In the places under the strong influence of static electricity or electric field strength.

Contact the manufacturer before using the component in any of the above environments.

3. Do not open minimum packing unit until usage.