

**SAW Filter 1747.50MHz**  
**Part No: MA09242**

**Model: TA0685A**  
**Rev No: 1**

**A. MAXIMUM RATING:**

1. Operating Temperature: -20°C ~ +75°C
2. Storage Temperature: -30°C ~ +85°C

**B. ELECTRICAL CHARACTERISTICS:**

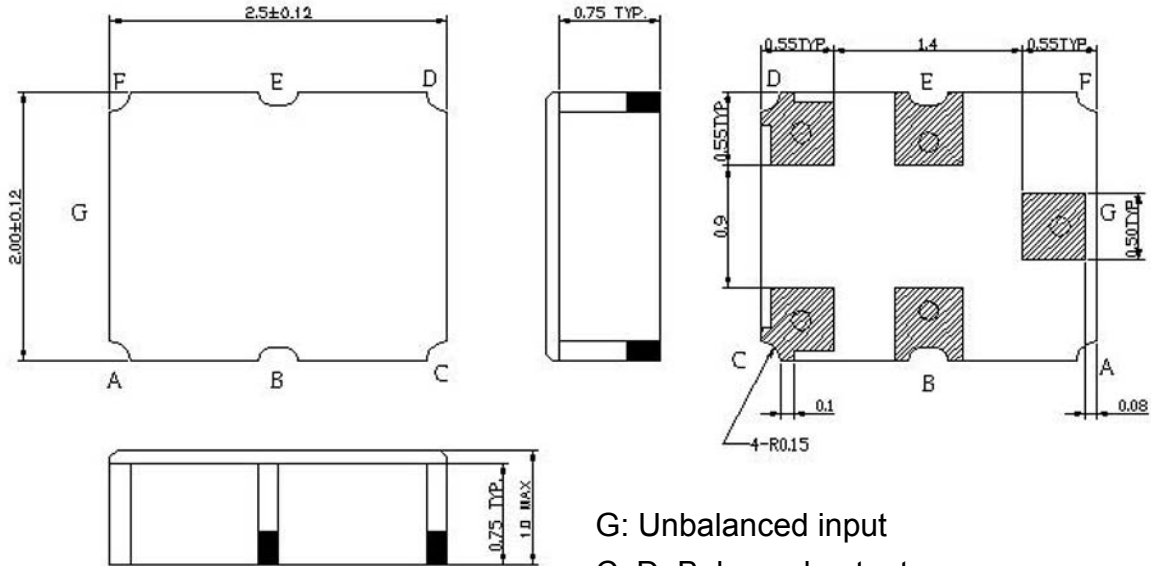
1. Singled to Balanced operation
2. Terminating source impedance:  $Z_S = 50\Omega$
3. Terminating load impedance:  $Z_L = 150\Omega // 22nH$

Item	Min.	Typ.	Max.	Note
Center frequency $F_C$ (MHz)	-	1747.5	-	-
Insertion loss (1710 ~ 1785MHz) I.L. (dB)	-	3	4	-
Ripple (1710 ~ 1785MHz) (dB)	-	0.9	2.1	-
Input VSWR (1710 ~ 1785MHz)	-	2.1	2.7	-
Output VSWR (1710 ~ 1785MHz)	-	2.3	2.7	-
Attenuation: (Reference level from 0dB)				
0 ~ 1200MHz (dB)	40	43	-	-
1200 ~ 1600MHz (dB)	30	33	-	-
1600 ~ 1690MHz (dB)	9	15	-	-
1825 ~ 1890MHz (dB)	10	19	-	-
1890 ~ 2200MHz (dB)	20	26	-	-
2200 ~ 3000MHz (dB)	30	35	-	-
3000 ~ 4000MHz (dB)	40	50	-	-
Symmetry in band (referenced to the matched operating condition)				
Output amplitude balance ( $ S_{31}/S_{21} $ ) (1805 ~ 1880MHz) (dB)	-2	0	2	-
Output phase balance ( $\Phi(S_{31}) - \Phi(S_{21}) + 180^\circ$ ) (1805 ~ 1880MHz) degree	-12	0	12	-

**SAW Filter 1747.50MHz**  
**Part No: MA09242**

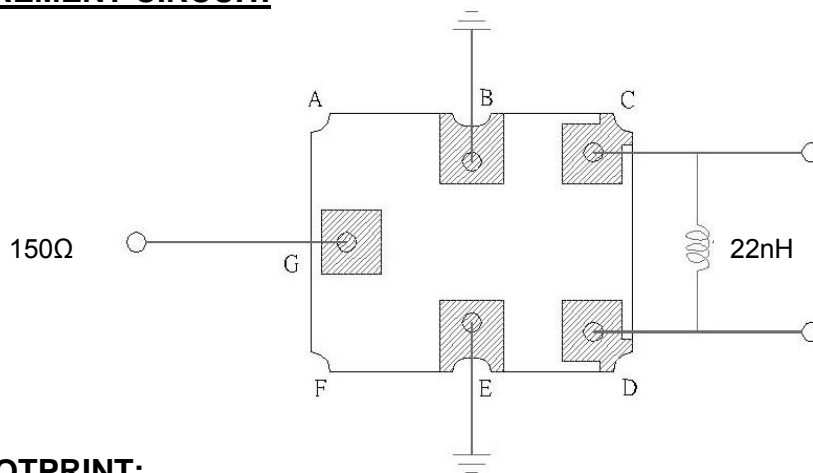
**Model: TA0685A**  
**Rev No: 1**

**C. OUTLINE DRAWING:**

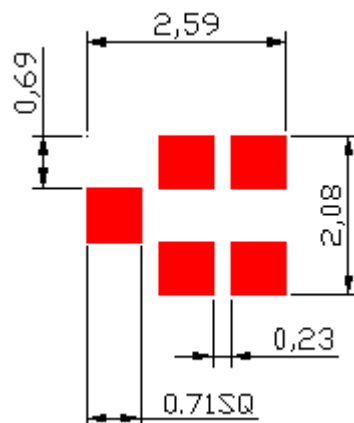


G: Unbalanced input  
 C, D: Balanced output  
 B, E: Ground  
 Unit: mm

**D. MEASUREMENT CIRCUIT:**



**E. PCB FOOTPRINT:**

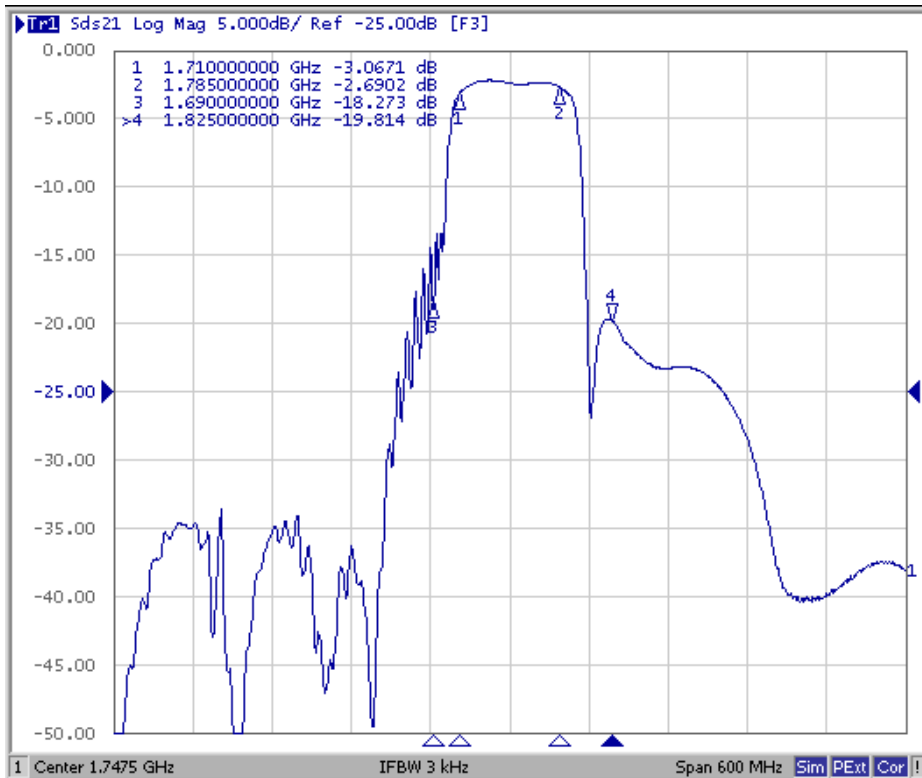


**SAW Filter 1747.50MHz**  
**Part No: MA09242**

**Model: TA0685A**  
**Rev No: 1**

**F. FREQUENCY CHARACTERISTICS:**

1. Transfer function (25°C)



2. Wideband

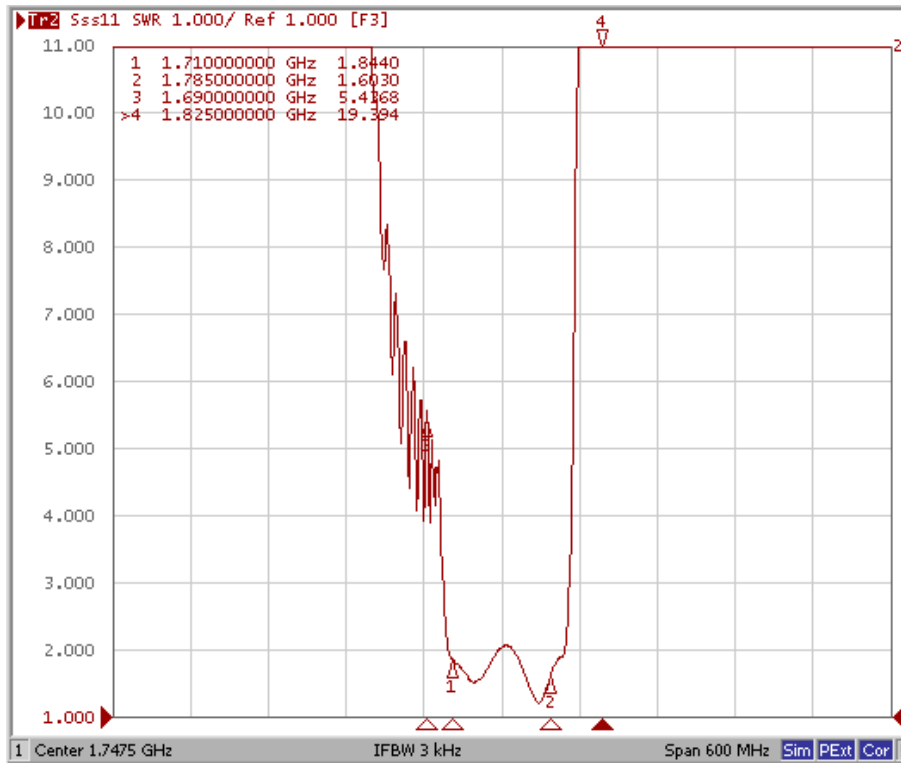


**SAW Filter 1747.50MHz**  
**Part No: MA09242**

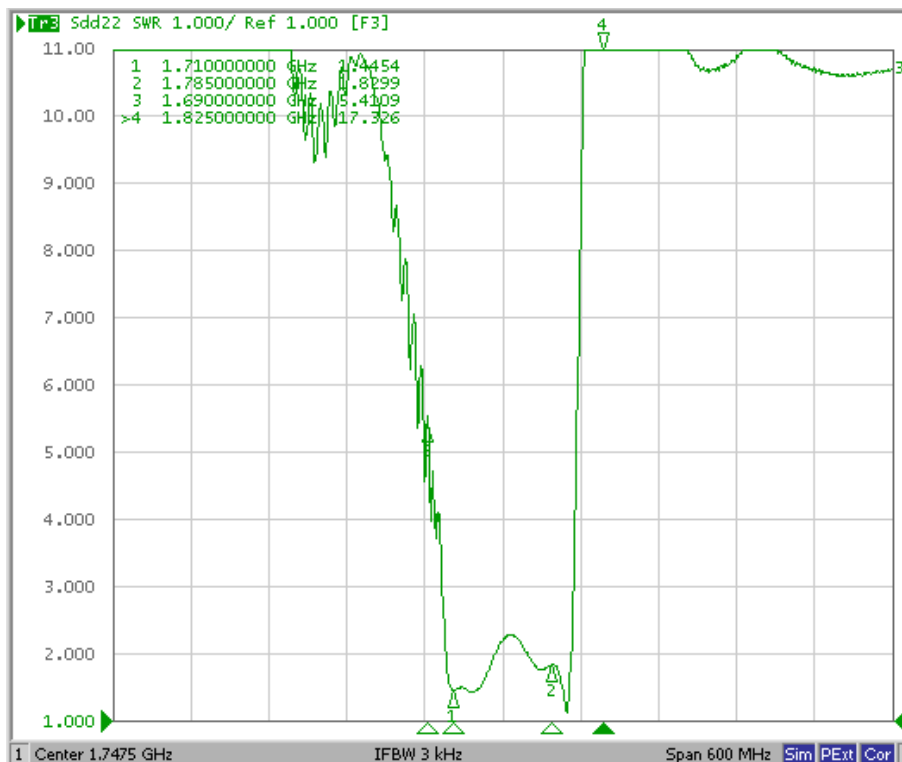
**Model: TA0685A**  
**Rev No: 1**

3. VSWR (25°C)

Unbalanced Input



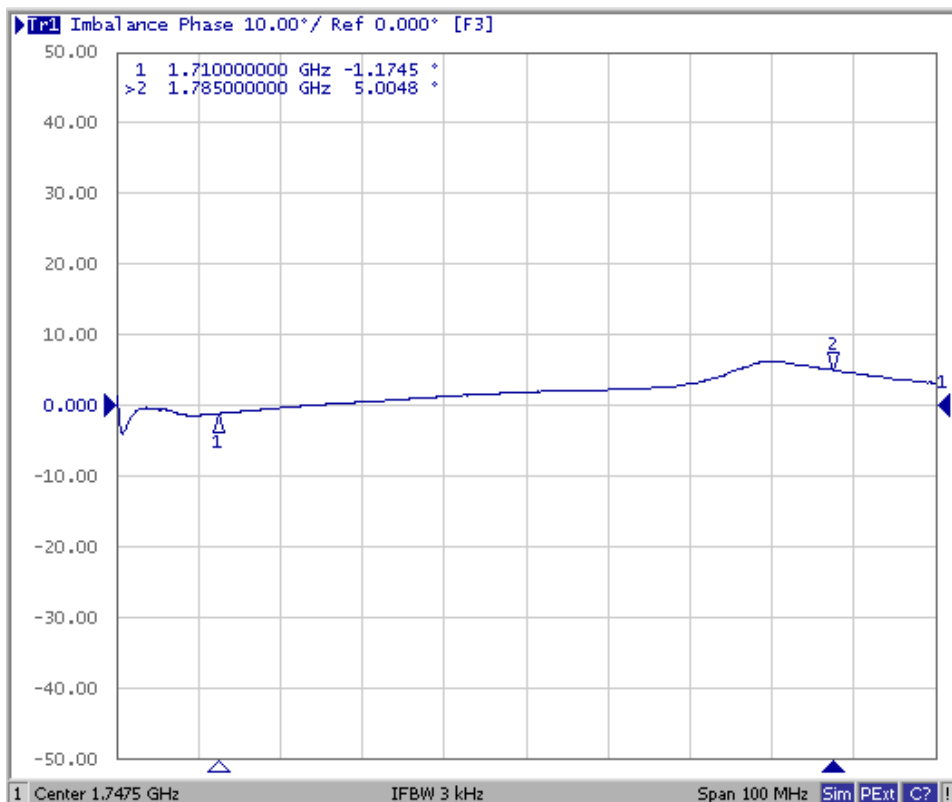
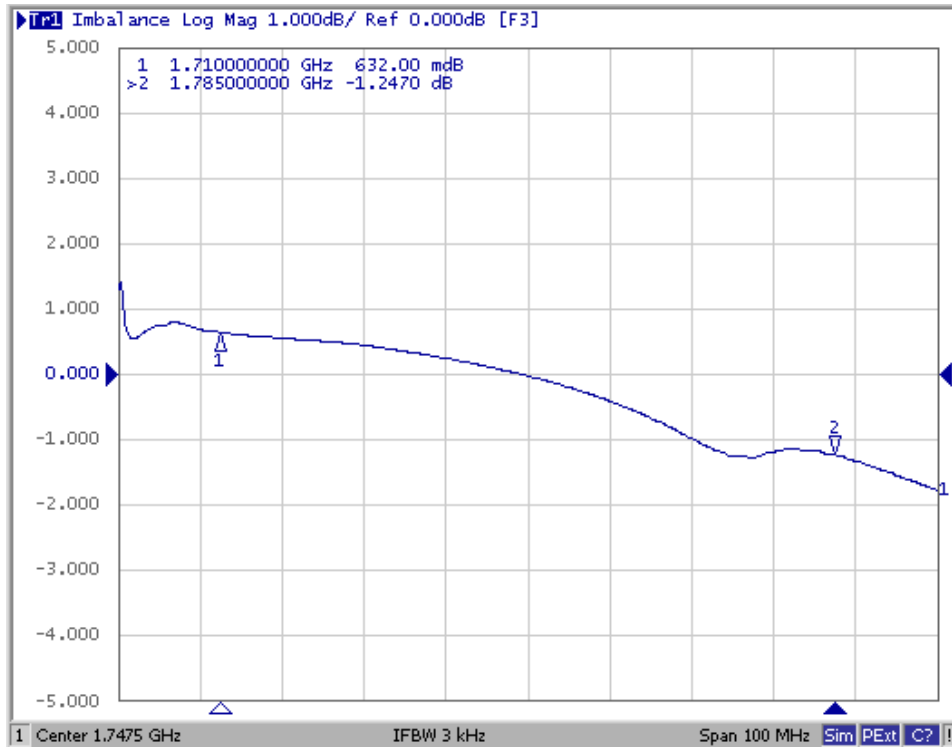
Balanced Output



**SAW Filter 1747.50MHz**  
**Part No: MA09242**

**Model: TA0685A**  
**Rev No: 1**

#### 4. Imbalance

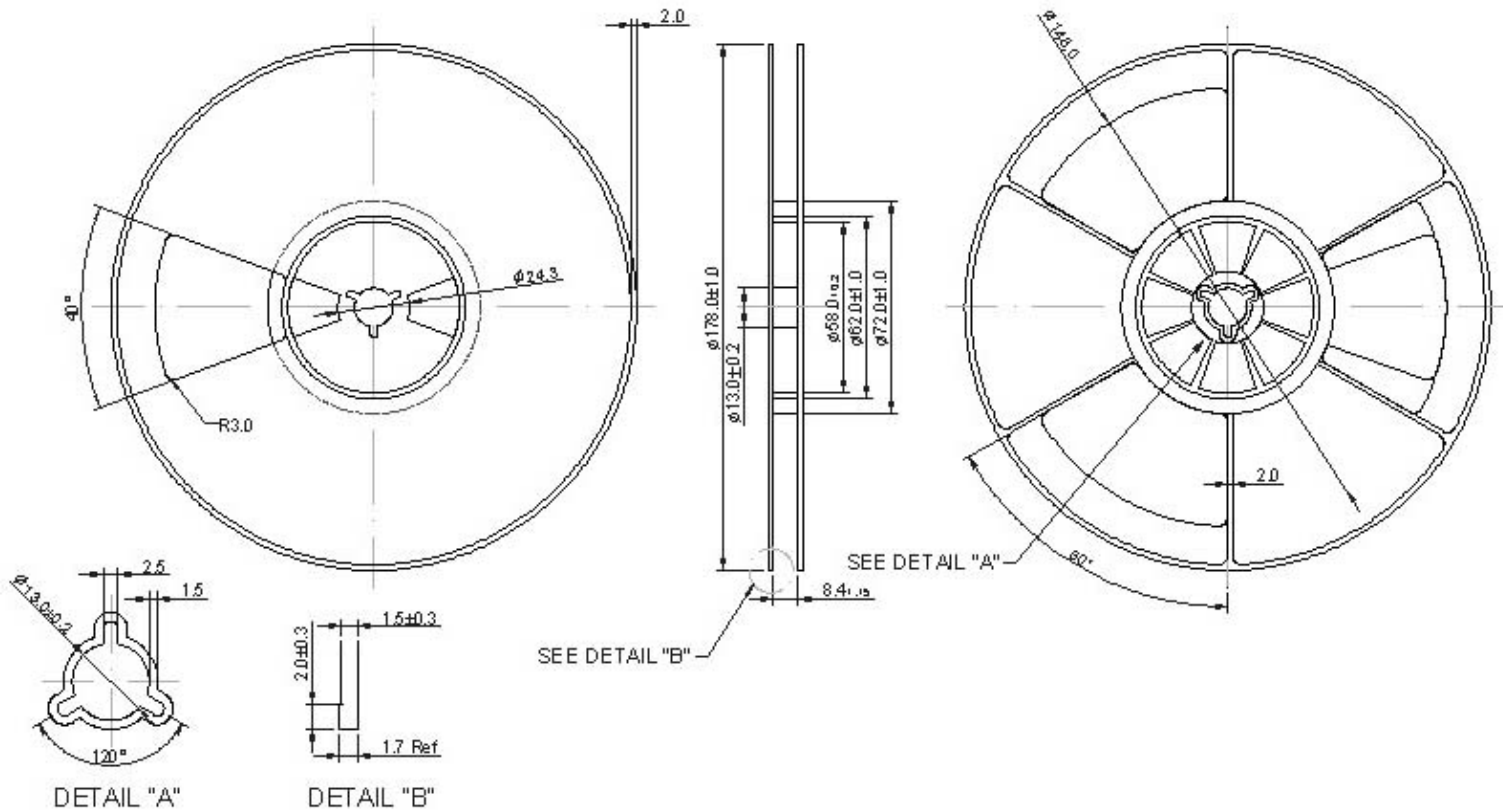


**SAW Filter 1747.50MHz**  
**Part No: MA09242**

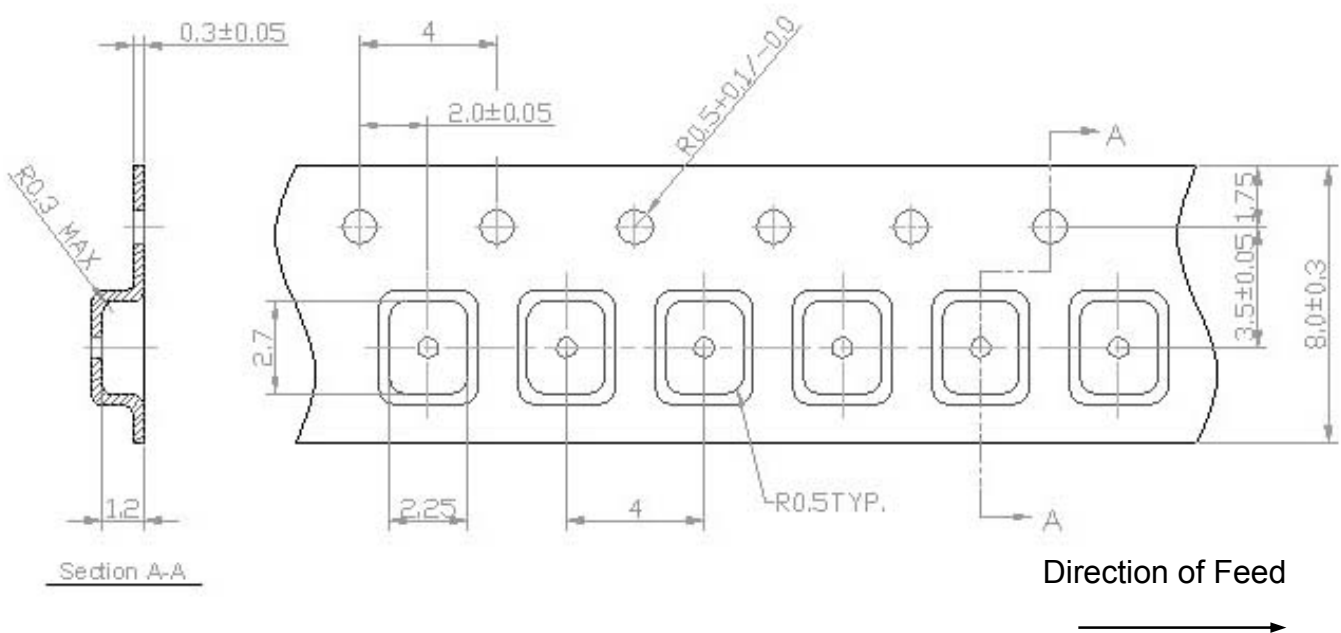
**Model: TA0685A**  
**Rev No: 1**

**G. PACKING:**

**1. Reel Dimension**



**2. Tape Dimension**



**SAW Filter 1747.50MHz**  
**Part No: MA09242**

**Model: TA0685A**  
**Rev No: 1**

**H. RECOMMENDED REFLOW PROFILE:**

