

SAW Filter 1583.0MHz

Model: TA1745A

Part No: MP07472

Rev No: 1

A. MAXIMUM RATING:

Electrostatic Sensitive Device (ESD)

1. Input Power Level: 20dBm
2. DC Voltage: 0V
3. Operating Temperature: -40°C to +85°C
4. Storage Temperature: -40°C to +85°C

B. ELECTRICAL CHARACTERISTICS:

Terminating source/load impedance (single): $Z_S = 50\Omega / Z_L = 50\Omega$

Item	Unit	25 ± 2°C	Typ.	-40 ~ +85°C
Center Frequency Fc	MHz	-	1583	-
Insertion Loss (1559.1 ~ 1563.1MHz) IL	dB	1.9max	1.8	2.1max
Insertion Loss (1571.42 ~ 1577.42MHz) IL	dB	1.5max	1.4	1.6max
Insertion Loss (1597.55 ~ 1605.89MHz) IL	dB	1.8max	1.7	2.1max
VSWR (1559.1 ~ 1563.1MHz)		1.7max	1.8	2.0max
VSWR (1571.42 ~ 1577.42MHz)		1.7max	1.8	2.0max
VSWR (1597.55 ~ 1605.89MHz)		2.1max	2.0	2.2max
Amplitude ripple				
(1559.1 ~ 1563.1MHz)	dB	0.6max	0.5	0.8max
(1571.42 ~ 1577.42MHz)	dB	0.3max	0.2	0.5max
(1597.55 ~ 1605.89MHz)	dB	0.5max	0.3	0.6max
Attenuation				
10 ~ 824MHz	dB	45min	50	43min
824 ~ 925MHz	dB	45min	50	43min
1427 ~ 1463MHz	dB	28min	32	25min
1710 ~ 1785MHz	dB	37min	40	34min
1850 ~ 1980MHz	dB	37min	40	35min
2400 ~ 2570MHz	dB	27min	30	25min
2570 ~ 3000MHz	dB	25min	27	23min
Package size	mm	2016		

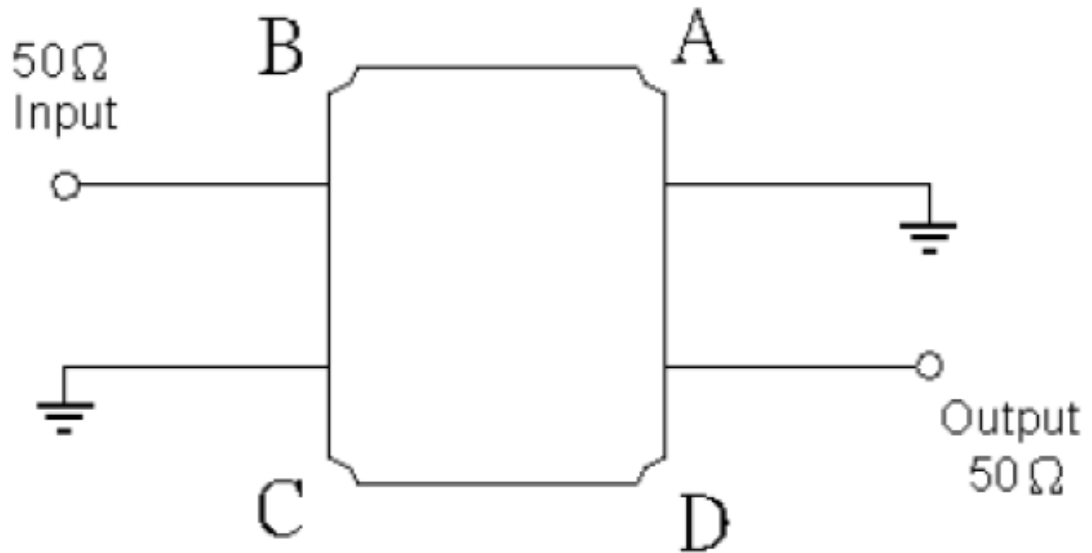
SAW Filter 1583.0MHz

Model: TA1745A

Part No: MP07472

Rev No: 1

C. TEST CIRCUIT:

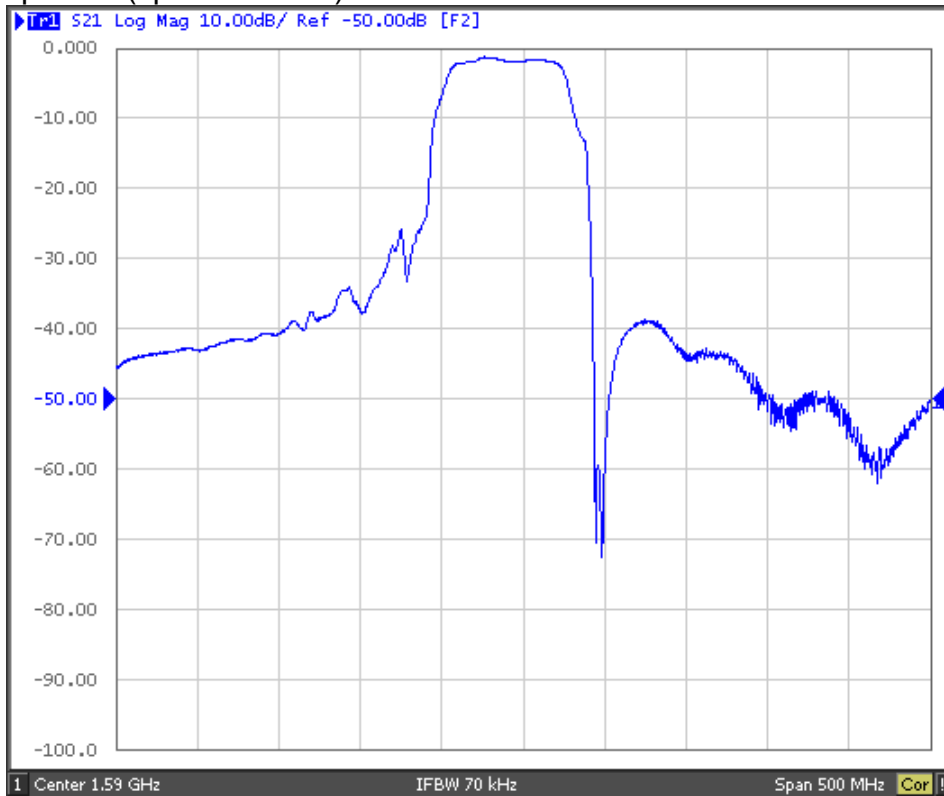


SAW Filter 1583.0MHz
Part No: MP07472

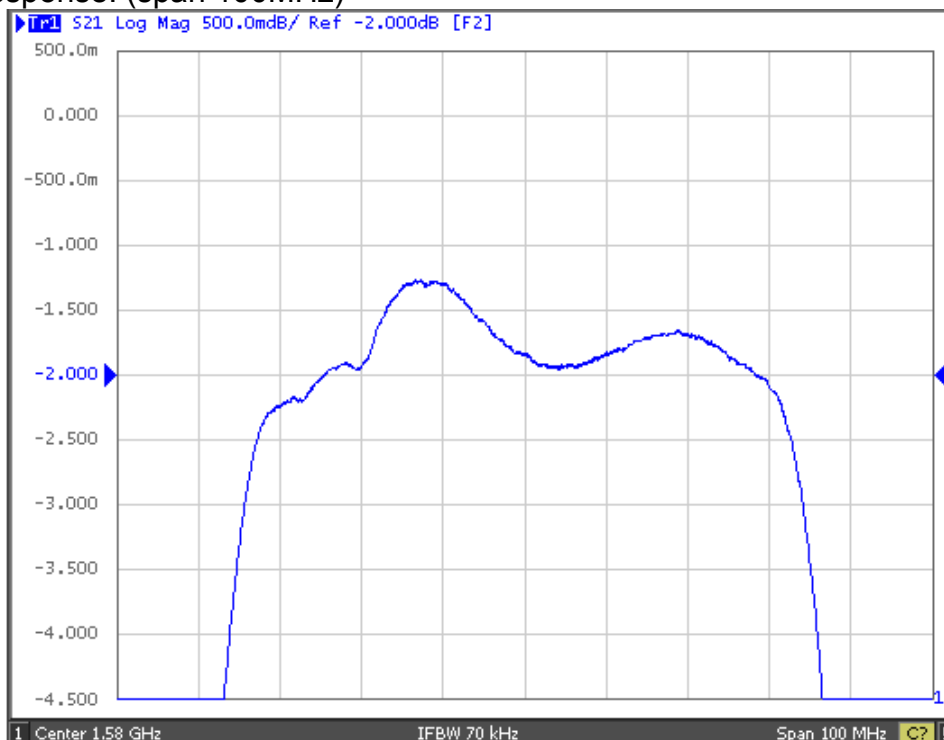
Model: TA1745A
Rev No: 1

D. FREQUENCY CHARACTERISTICS:

1. S21 response: (span 500MHz)



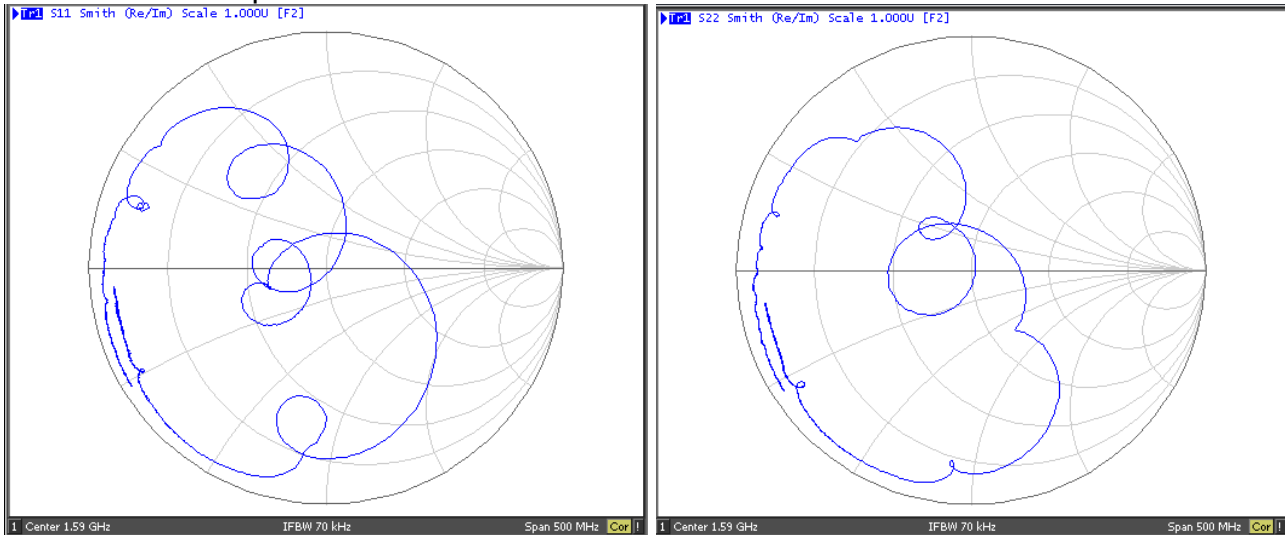
2. S21 response: (span 100MHz)



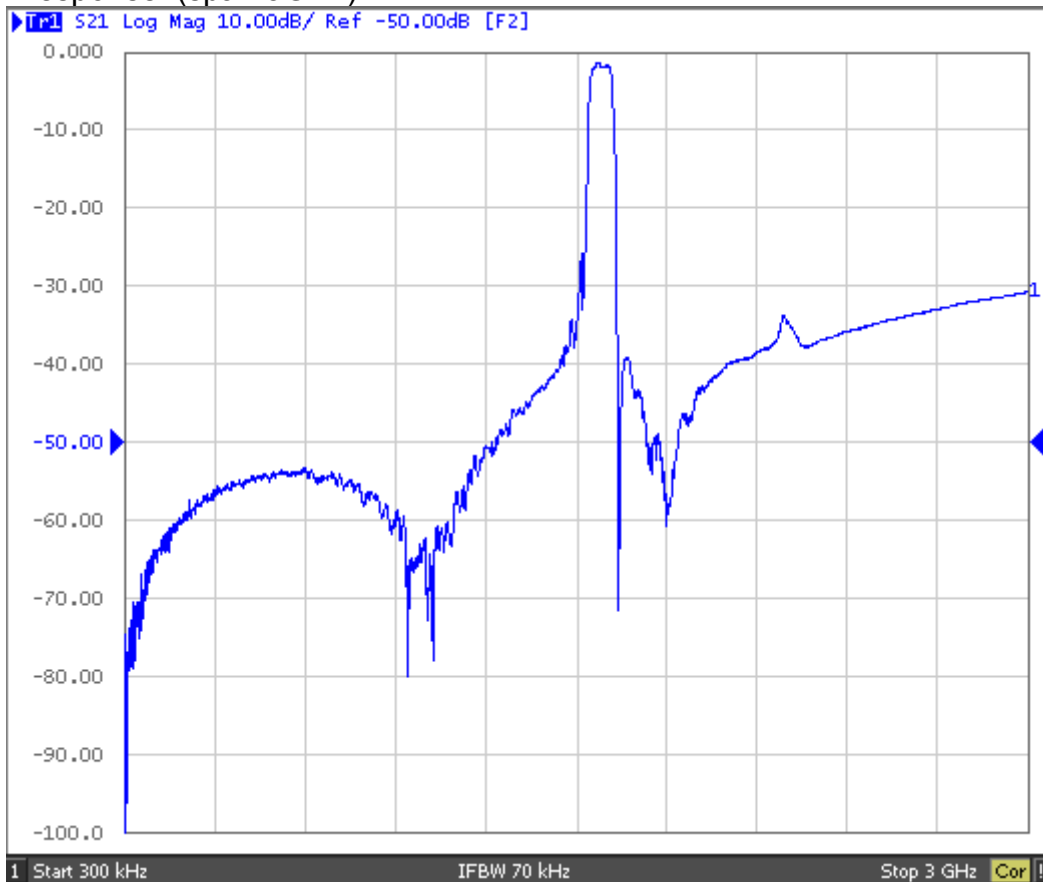
SAW Filter 1583.0MHz
Part No: MP07472

Model: TA1745A
Rev No: 1

3. S11/S22 response:



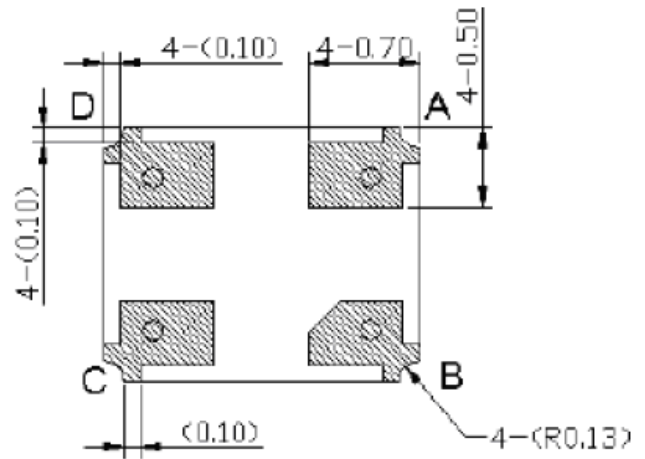
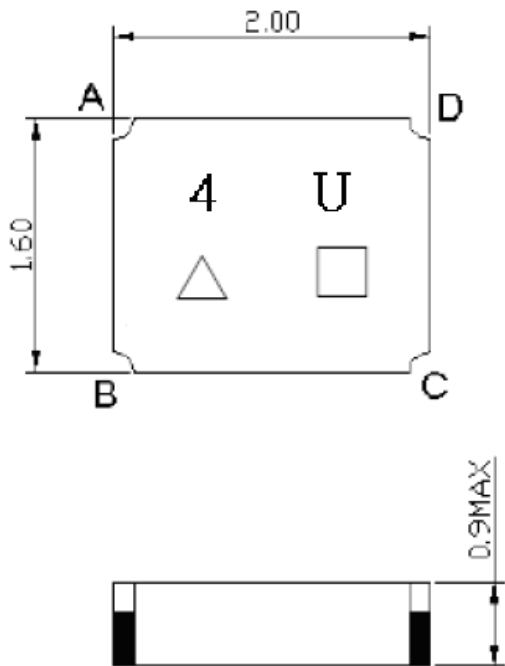
4. S21 response: (span 3GHz)



SAW Filter 1583.0MHz
Part No: MP07472

Model: TA1745A
Rev No: 1

E. OUTLINE DRAWING:



#B : Input
#D : Output
#A,C : Ground
Unit : mm

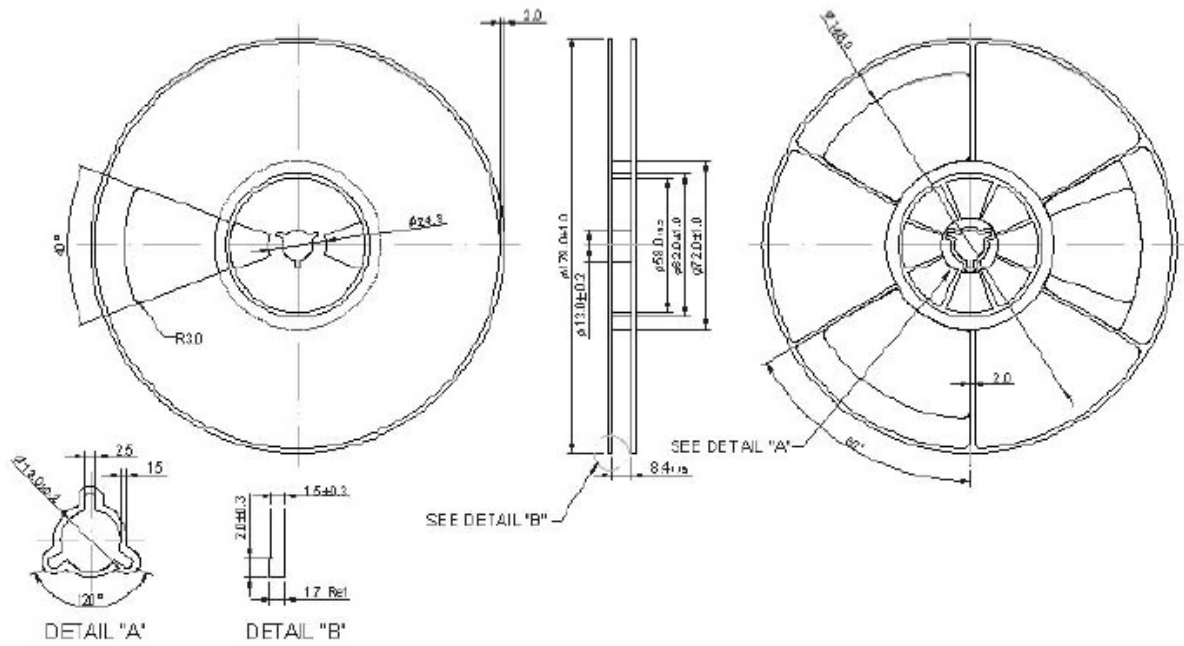
SAW Filter 1583.0MHz
Part No: MP07472

Model: TA1745A
Rev No: 1

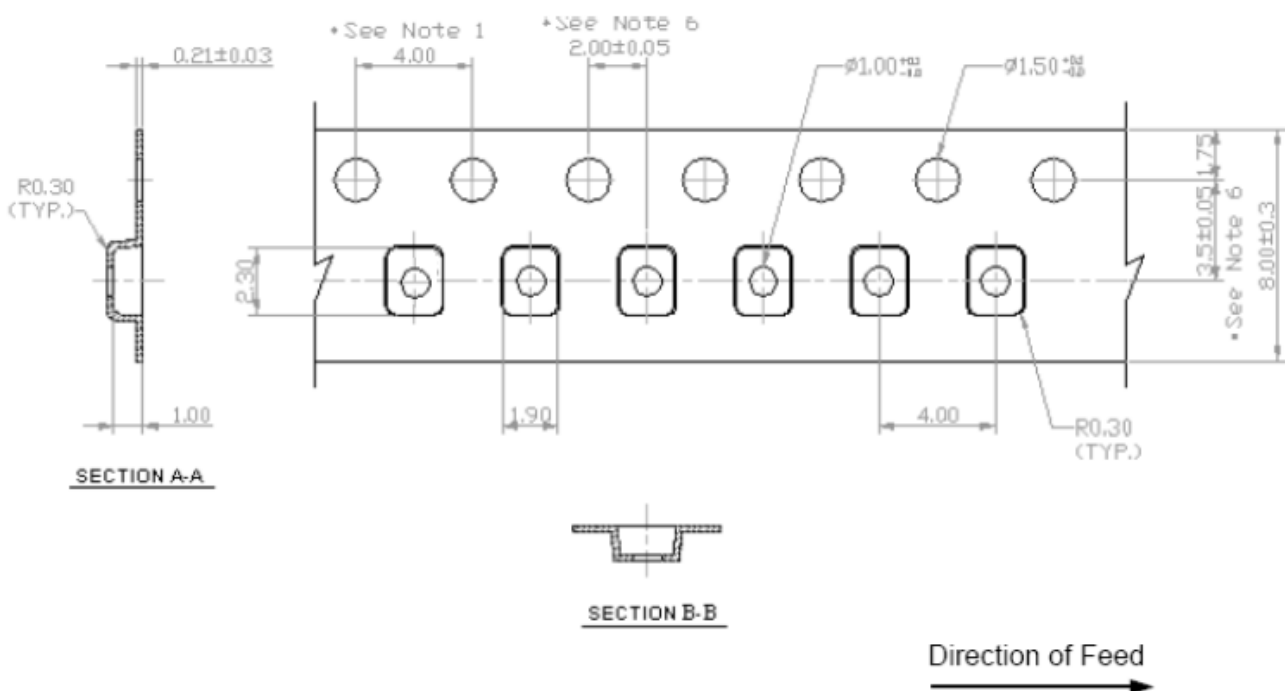
F. PACKING:

1. Reel Dimension

(Please refer to FR-75D10 for packing quantity)



2. Tape Dimension



SAW Filter 1583.0MHz
Part No: MP07472

Model: TA1745A
Rev No: 1

G. RECOMMENDED REFLOW PROFILE:

