

**SAW Filter 460.0MHz**  
**Part No: MP06076**

**Model: TA1010B**  
**Rev No: 1**

**A. MAXIMUM RATING:**

Electrostatic Sensitive Device (ESD)

1. Input Power Level: 10dBm
2. DC Voltage: 5V
3. Operating Temperature: -40°C to +85°C
4. Storage Temperature: -40°C to +85°C

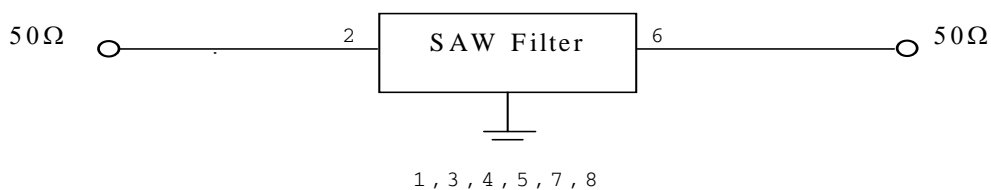
**B. ELECTRICAL CHARACTERISTICS:**

Item	Unit	Min	Typ.	Max
Center frequency Fc	MHz	-	460	-
Insertion loss (450 ~ 470MHz) IL	dB	-	2.4	3.51
Amplitude Ripple (450 ~ 470MHz)	dB	-	0.9	2.42
Return loss (450 ~ 470MHz)	dB	8	10	-
Attenuation (Reference level from 0dB)				
0.3 ~ 300MHz	dB	40	45	-
300 ~ 380MHz	dB	40	45	-
380 ~ 430MHz	dB	35	40	-
504.825 ~ 524.825MHz	dB	25	35	-
559.65 ~ 579.65MHz	dB	40	45	-
669.3 ~ 689.3MHz	dB	45	50	-
689.3 ~ 1000MHz	dB	30	35	-
Temperature Coefficient of Frequency	dB ppm/°C	-	-36	-

1. 2.4dB at 25°C; 3.2dB for -30°C to +60°C
2. 1.1dB at 25°C; 2.2dB for -30°C to +60°C

**C. MEASUREMENT CIRCUIT:**

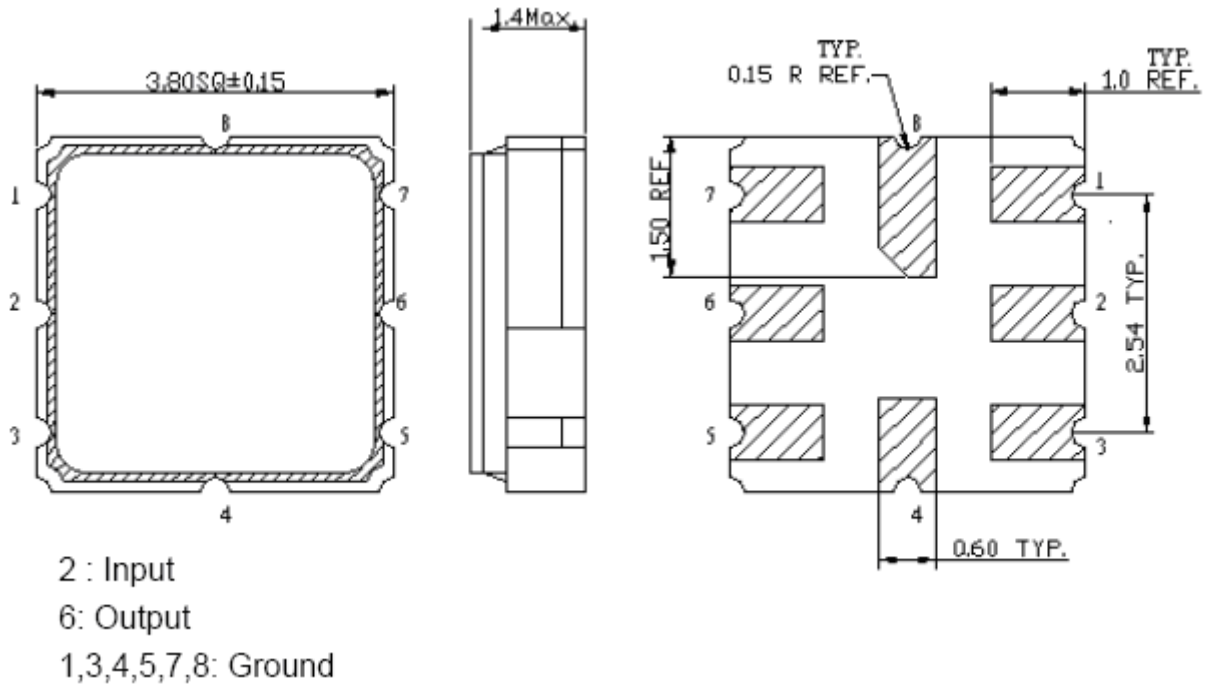
HP Network analyzer



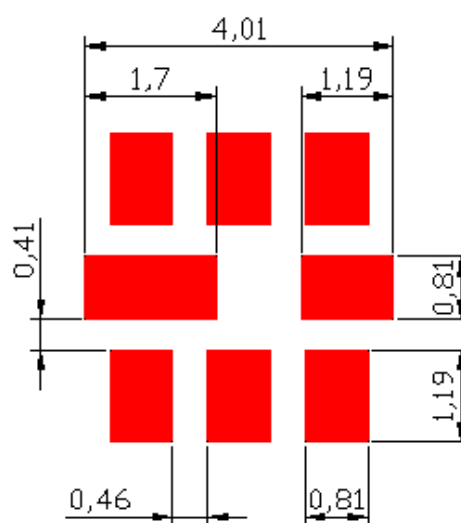
**SAW Filter 460.0MHz**  
**Part No: MP06076**

**Model: TA1010B**  
**Rev No: 1**

**D. OUTLINE DRAWING:**



**E. PCB FOOTPRINT:**

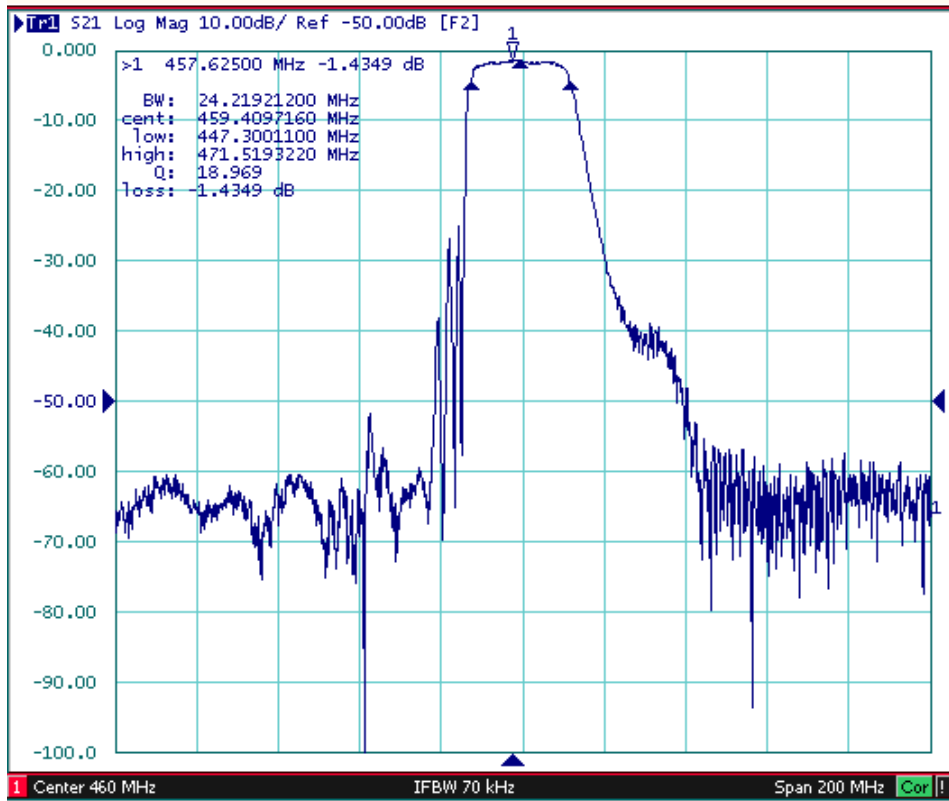


**SAW Filter 460.0MHz**  
**Part No: MP06076**

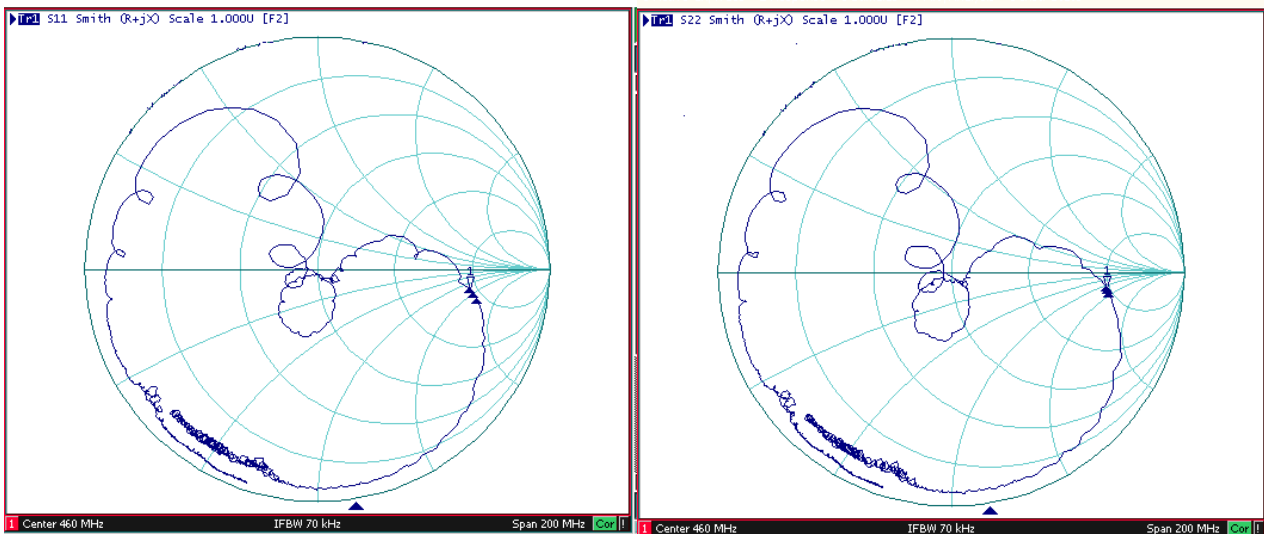
**Model: TA1010B**  
**Rev No: 1**

**F. FREQUENCY CHARACTERISTICS:**

1. S21 Measurement



2. S11/S22 Measurement

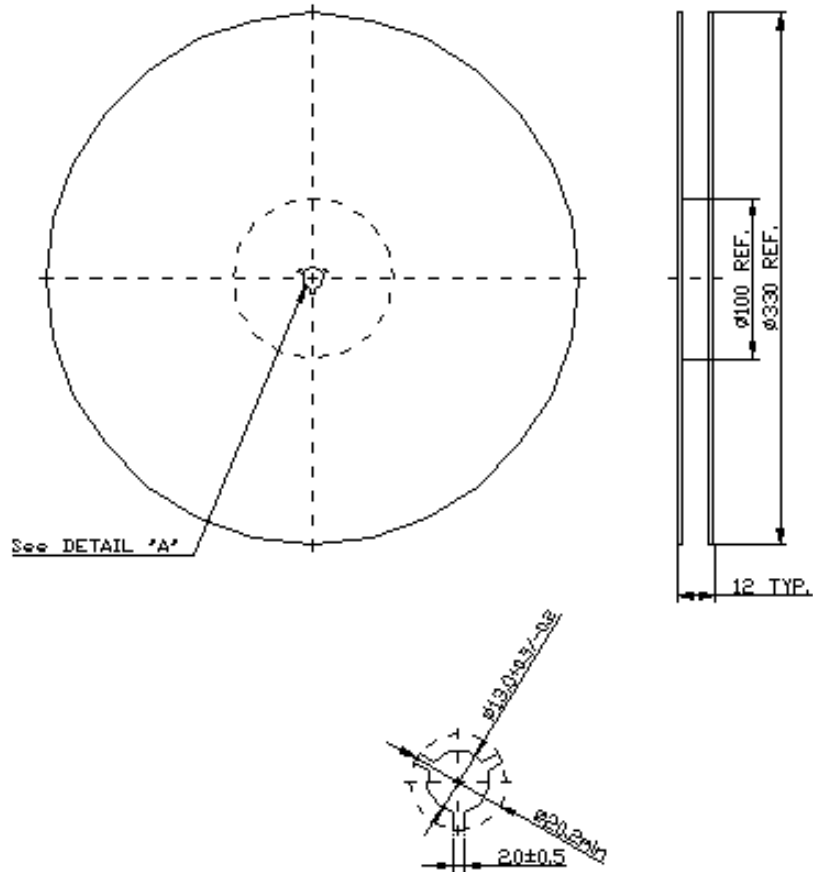


**SAW Filter 460.0MHz**  
**Part No: MP06076**

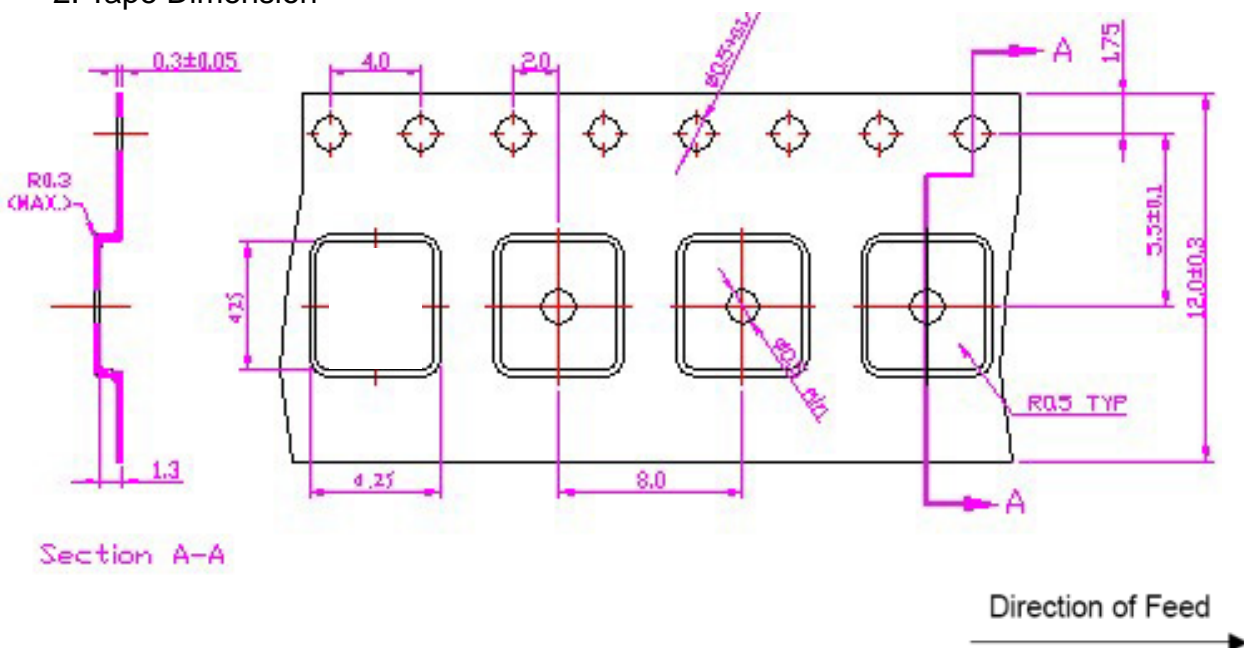
**Model: TA1010B**  
**Rev No: 1**

**G. PACKING:**

1. Reel Dimension



2. Tape Dimension



**SAW Filter 460.0MHz**  
**Part No: MP06076**

**Model: TA1010B**  
**Rev No: 1**

**H. RECOMMENDED REFLOW PROFILE:**

