

**SAW Filter 2535.0MHz**

**Model: TA1465B**

**Part No: MP06167**

**Rev No: 1**

**A. MAXIMUM RATING:**

Electrostatic Sensitive Device (ESD)

1. Input Power Level: 10dBm
2. DC Voltage: 3V
3. Operating Temperature: -40°C to +85°C
4. Storage Temperature: -40°C to +90°C

**B. ELECTRICAL CHARACTERISTICS:**

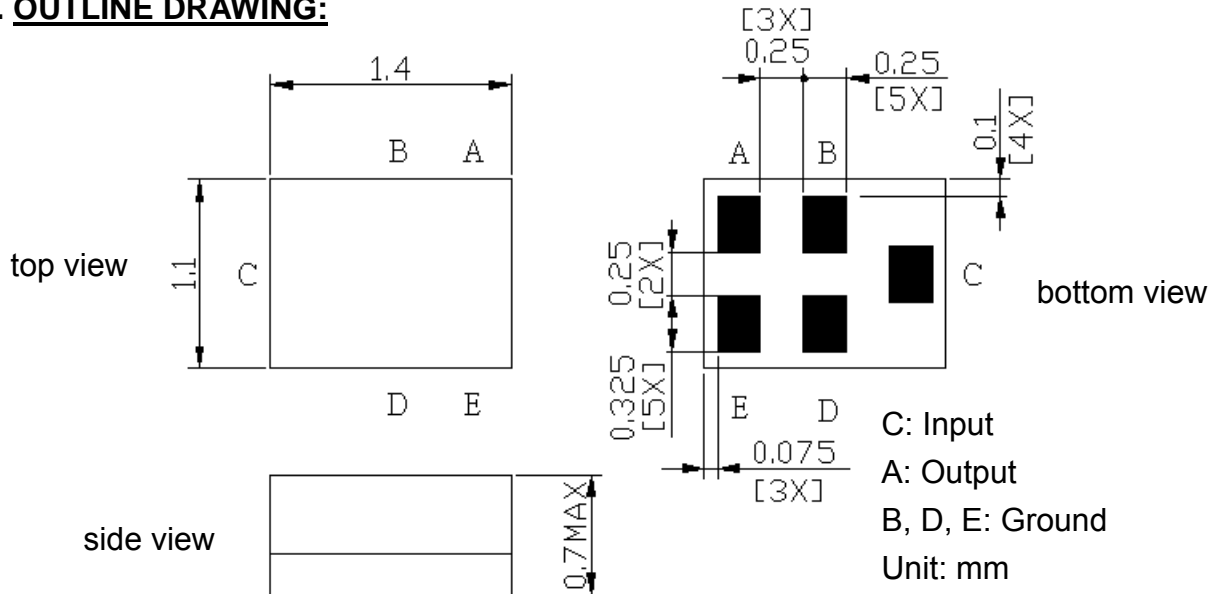
1. Terminating source impedance (single-ended):  $Z_S = 50\Omega$
2. Terminating load impedance (single-ended):  $Z_L = 50\Omega$

Item	Unit	Min.	Typ.	Max.	Note
Center Frequency Fc	MHz	-	2535	-	-
Insertion Loss (2500 ~ 2570MHz) IL	dB	-	2.5	3.5	-
Amplitude ripple (2500 ~ 2570MHz)	dB	-	1.2	2.2	-
VSWR (2500 ~ 2570MHz)		-	1.9	2.2	-
Attenuation (Reference level from 0dB)					
DC ~ 2100MHz	dB	25	27	-	-
2100 ~ 2450MHz	dB	25	28	-	-
2620 ~ 4000MHz	dB	27	30	-	-
4000 ~ 5000MHz	dB	20	36	-	-
Temperature Coefficient of Frequency	ppm/°C	-	-36	-	-

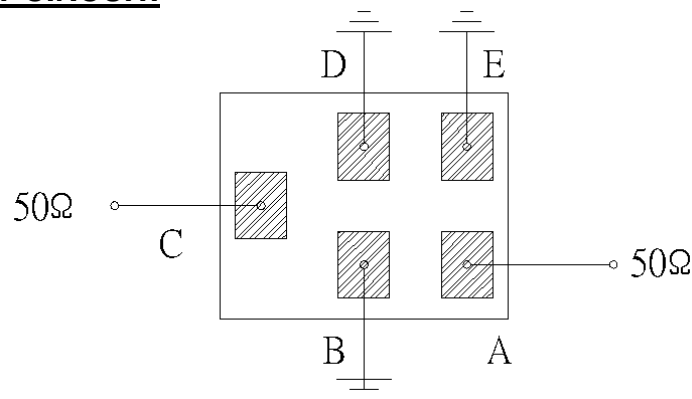
**SAW Filter 2535.0MHz**  
**Part No: MP06167**

**Model: TA1465B**  
**Rev No: 1**

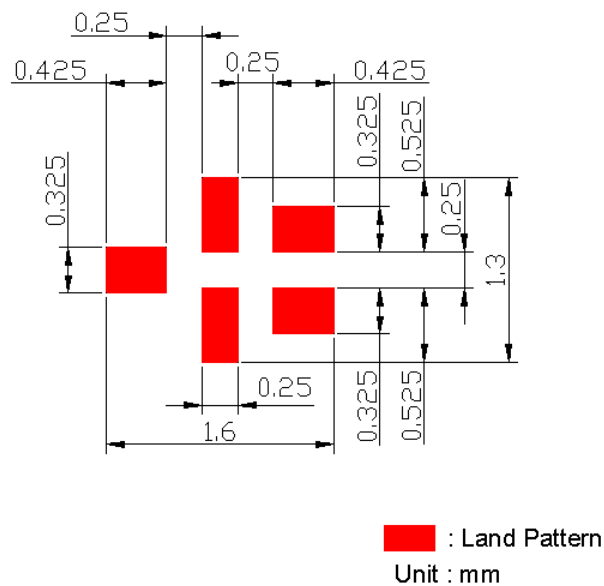
**C. OUTLINE DRAWING:**



**D. MEASUREMENT CIRCUIT:**



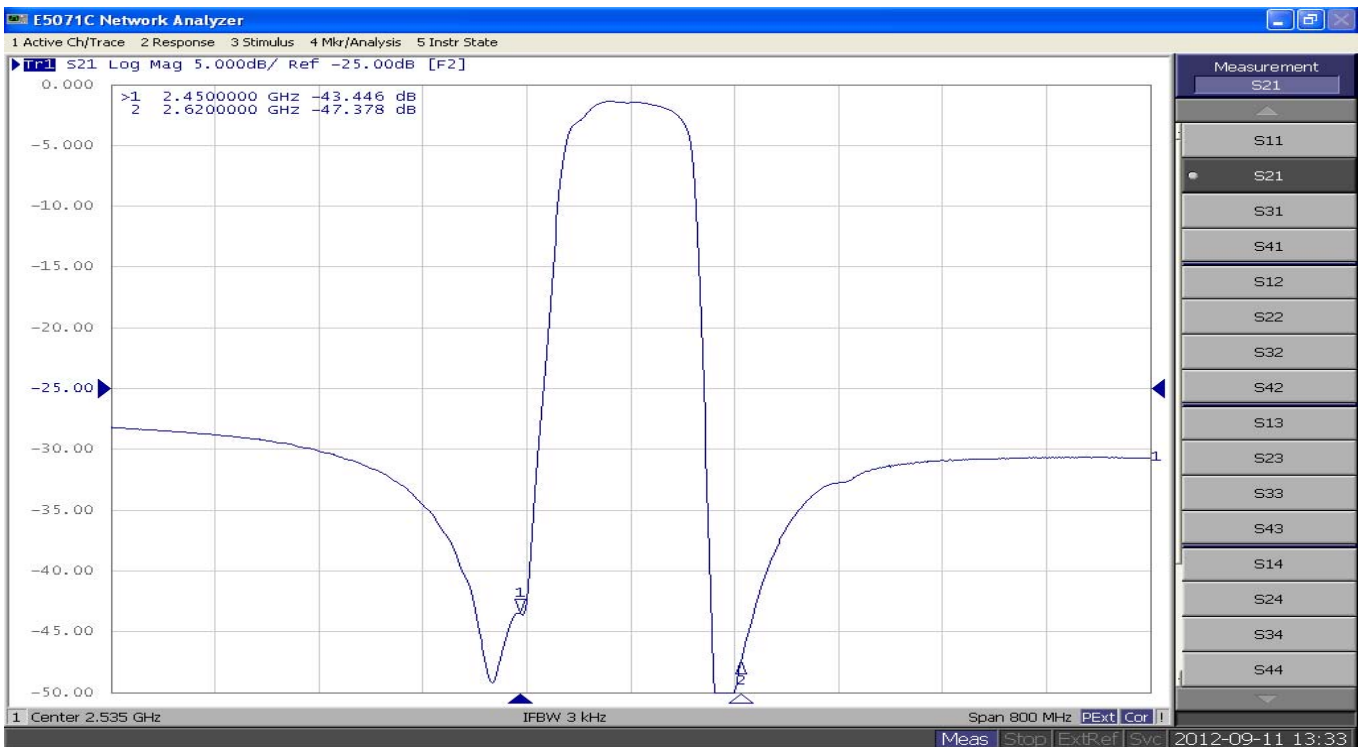
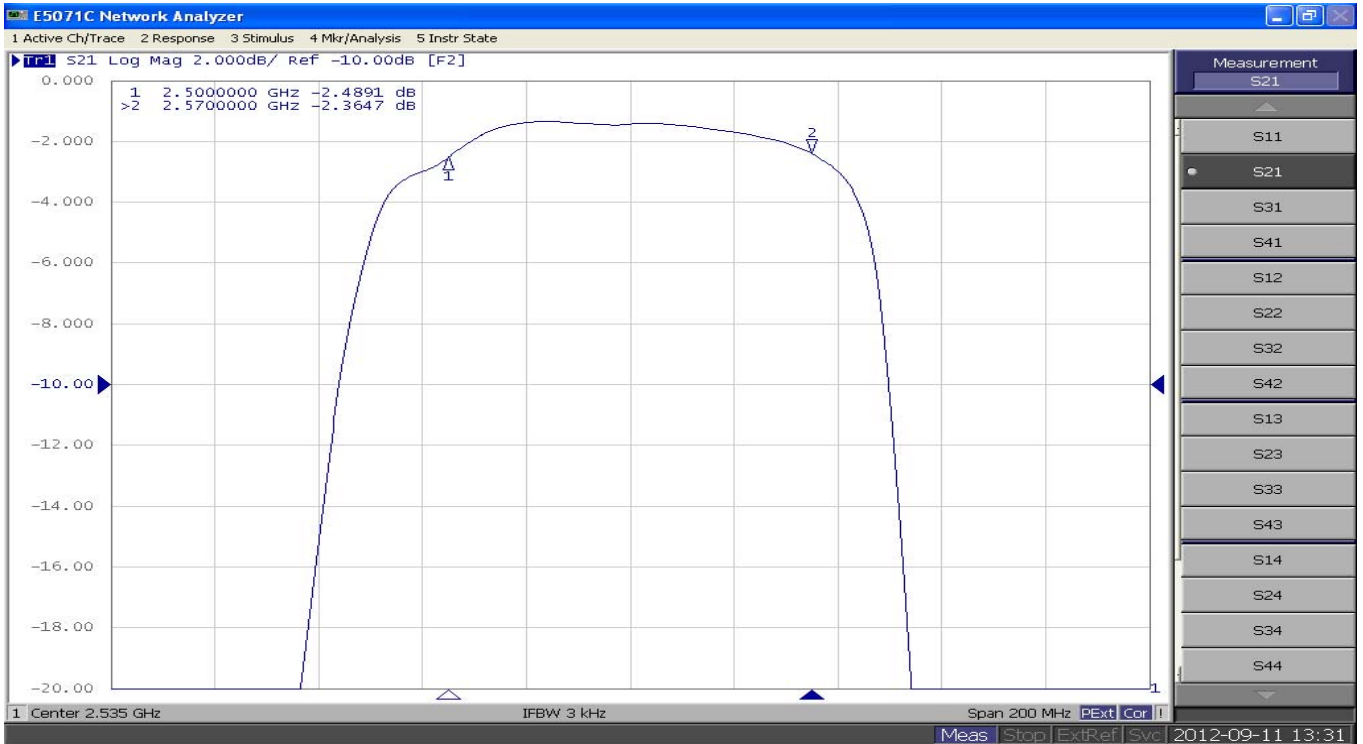
**E. PCB FOOTPRINT:**



**SAW Filter 2535.0MHz**  
**Part No: MP06167**

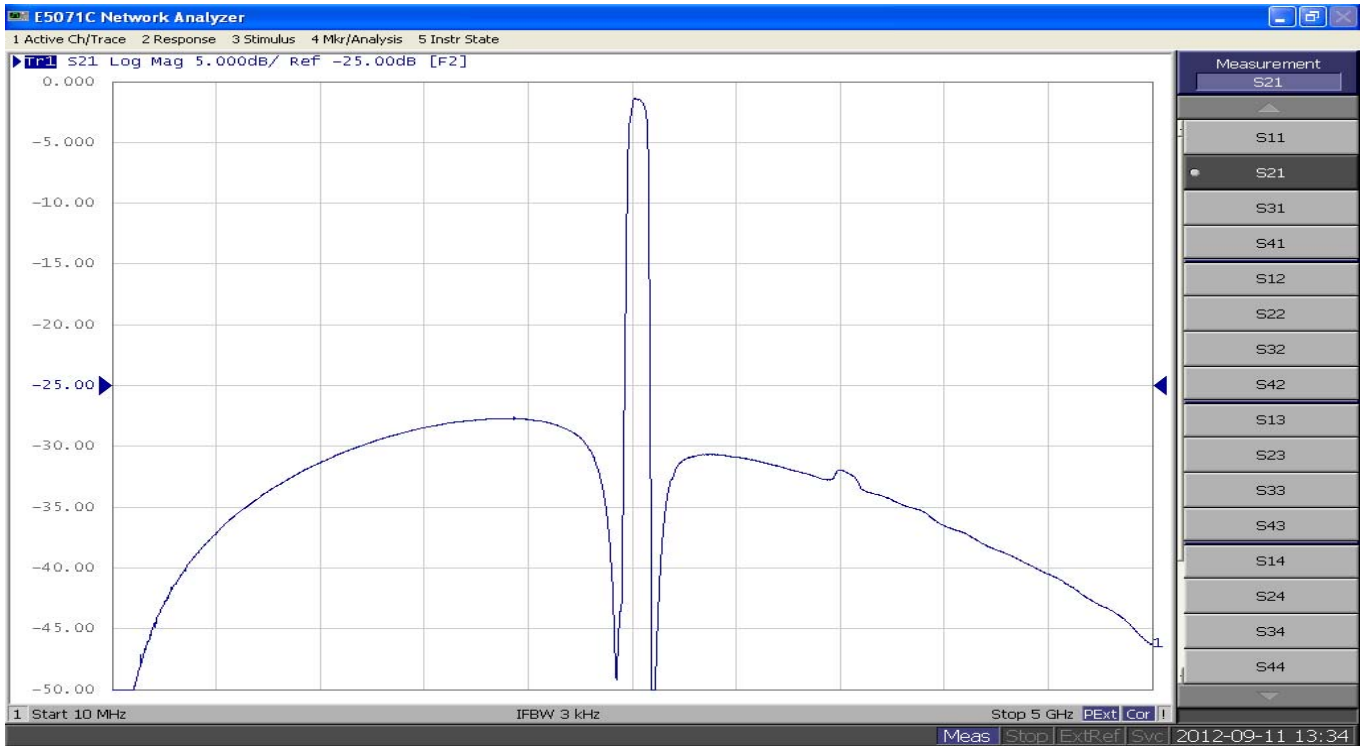
**Model: TA1465B**  
**Rev No: 1**

**F. FREQUENCY CHARACTERISTICS:**



**SAW Filter 2535.0MHz**  
**Part No: MP06167**

**Model: TA1465B**  
**Rev No: 1**

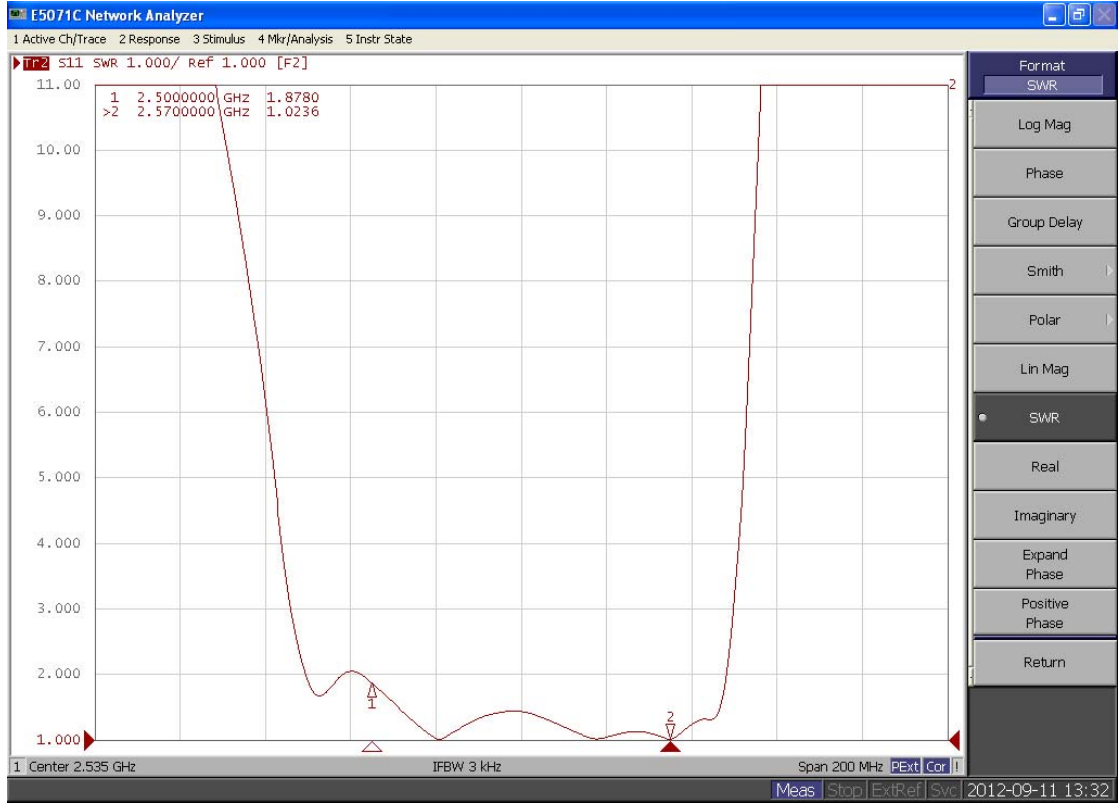


**SAW Filter 2535.0MHz**  
**Part No: MP06167**

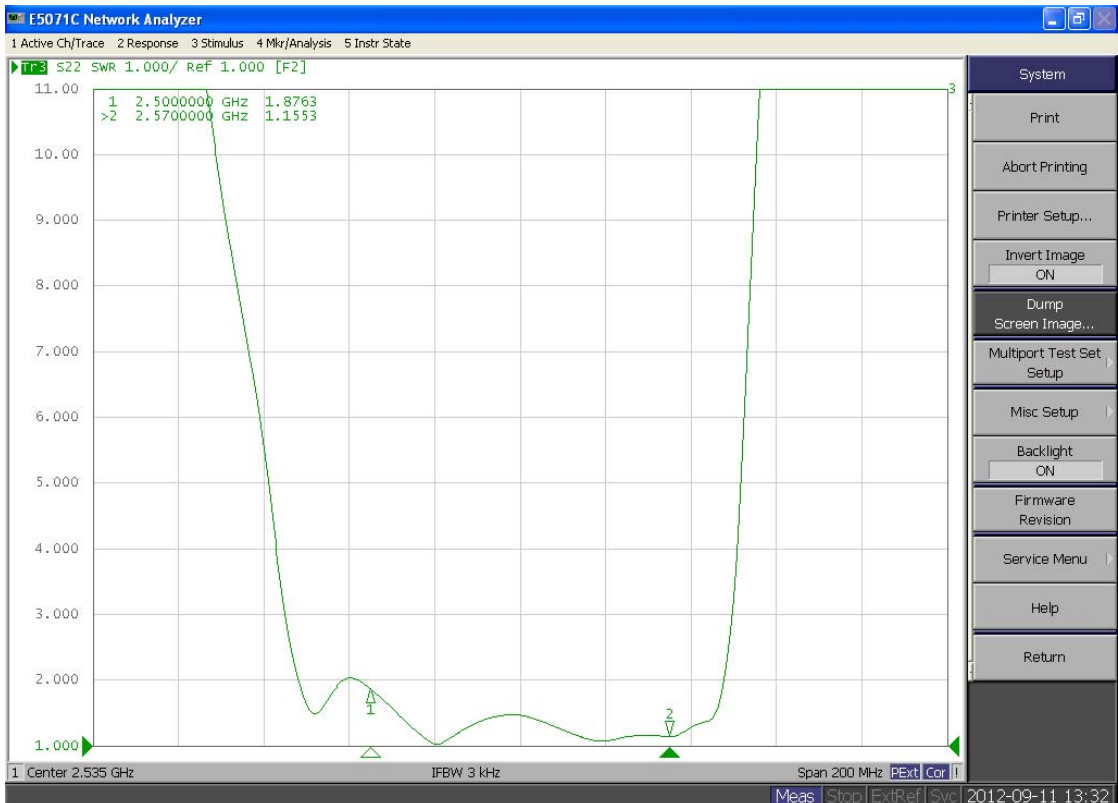
**Model: TA1465B**  
**Rev No: 1**

Reflection Functions

S11



S22

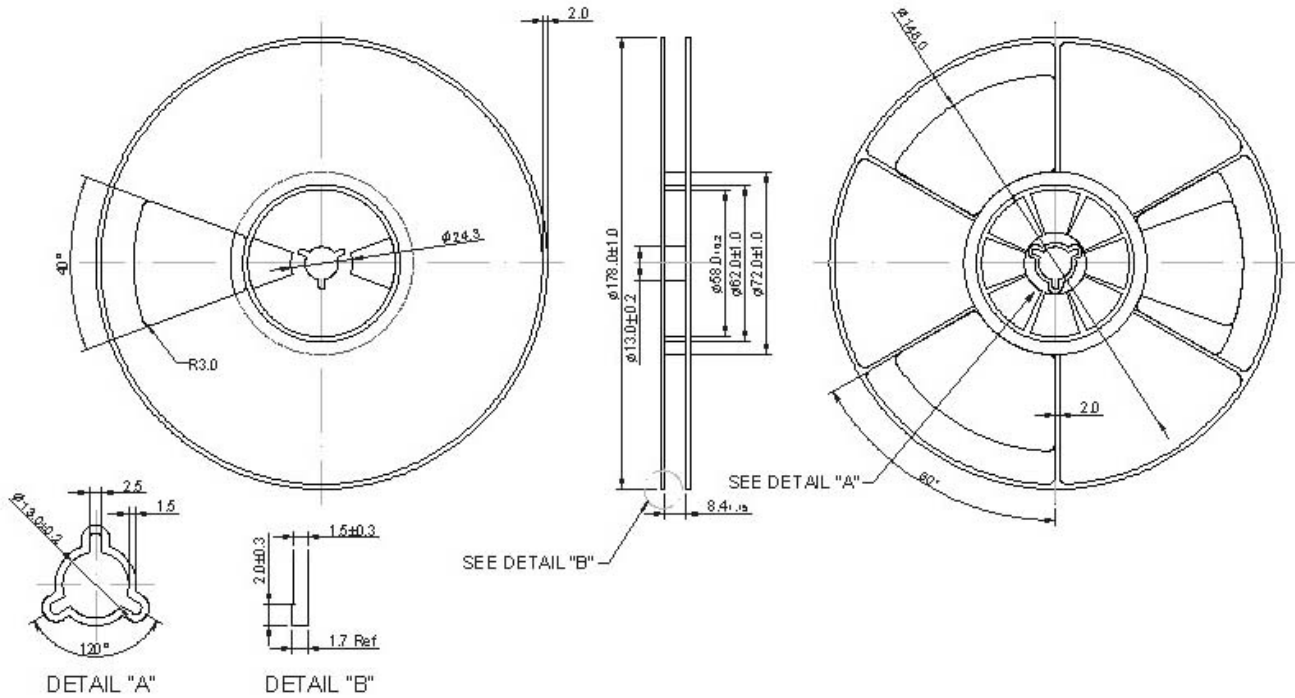


**SAW Filter 2535.0MHz**  
**Part No: MP06167**

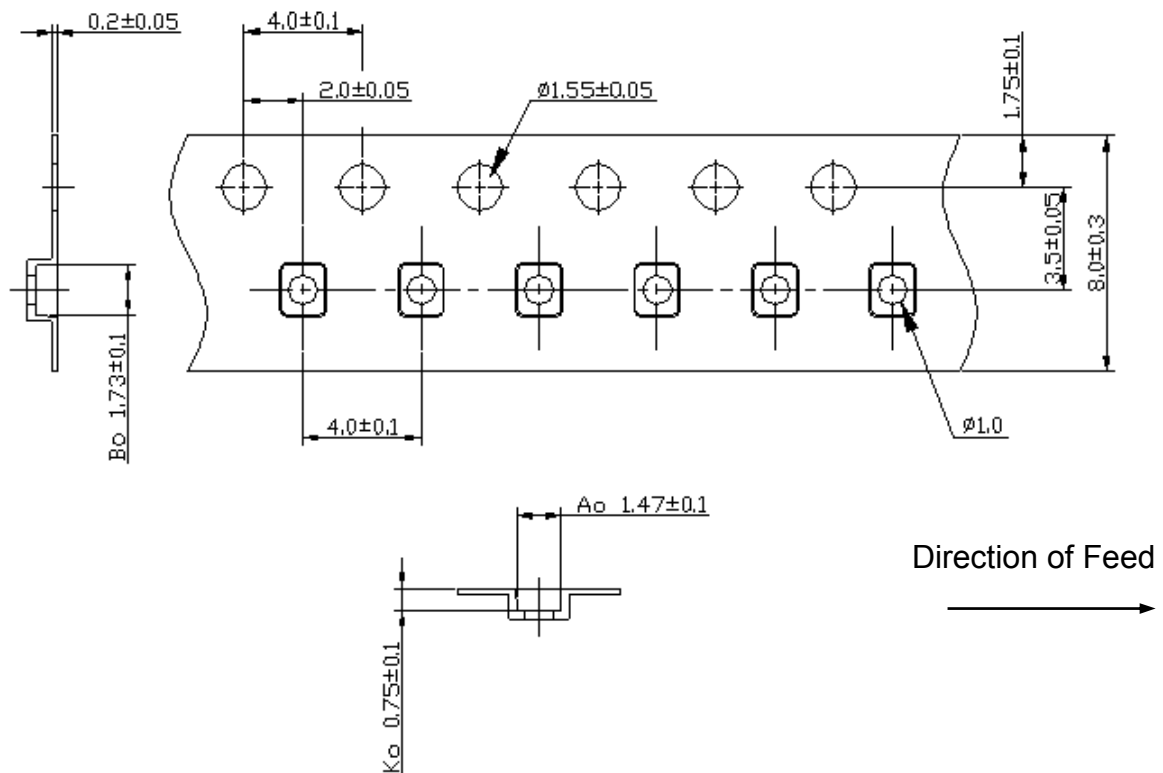
**Model: TA1465B**  
**Rev No: 1**

**G. PACKING:**

1. Reel Dimension (Please refer to FR-75D10 for packing quantity)



2. Tape Dimension



**SAW Filter 2535.0MHz**

**Model: TA1465B**

**Part No: MP06167**

**Rev No: 1**

**H. RECOMMENDED REFLOW PROFILE:**

1. Preheating shall be fixed at 150 ~ 180°C for 60 ~ 90 seconds.
2. Ascending time to preheating temperature 150°C shall be 30 seconds min.
3. Heating shall be fixed at 220°C for 50 ~ 80 seconds and at 245 ~ 260°C peak (min. 10sec).
4. Time: 2 times.

