

SAW Filter 876.50MHz
Part No: MP06899

Model: TA1805A
Rev No: 1

A. MAXIMUM RATING:

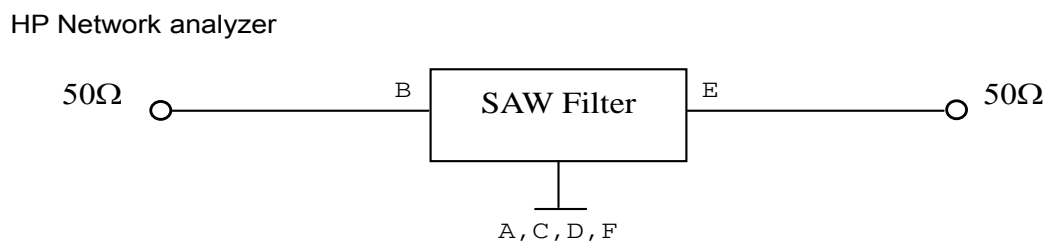
Electrostatic Sensitive Device (ESD)

1. Input Power Level: 10 dB_m
2. DC voltage: 3 V
3. Operating Temperature: -30°C to +85°C
4. Storage Temperature: -40°C to +85°C

B. ELECTRICAL CHARACTERISTICS:

Item	Unit	Min.	Typ.	Max.
Center frequency Fc	MHz	-	876.5	-
Insertion Loss (859 ~ 894MHz) IL	dB	-	3.3	4
Amplitude Ripple (859 ~ 894MHz)	dB	-	1.6	2
Attenuation (Reference level from 0dB)				
10 ~ 840MHz	dB	40	46	-
920 ~ 1000MHz	dB	30	33	-
1000 ~ 2600MHz	dB	25	33	-
Input / Output Impedance	Ω	-	50	-

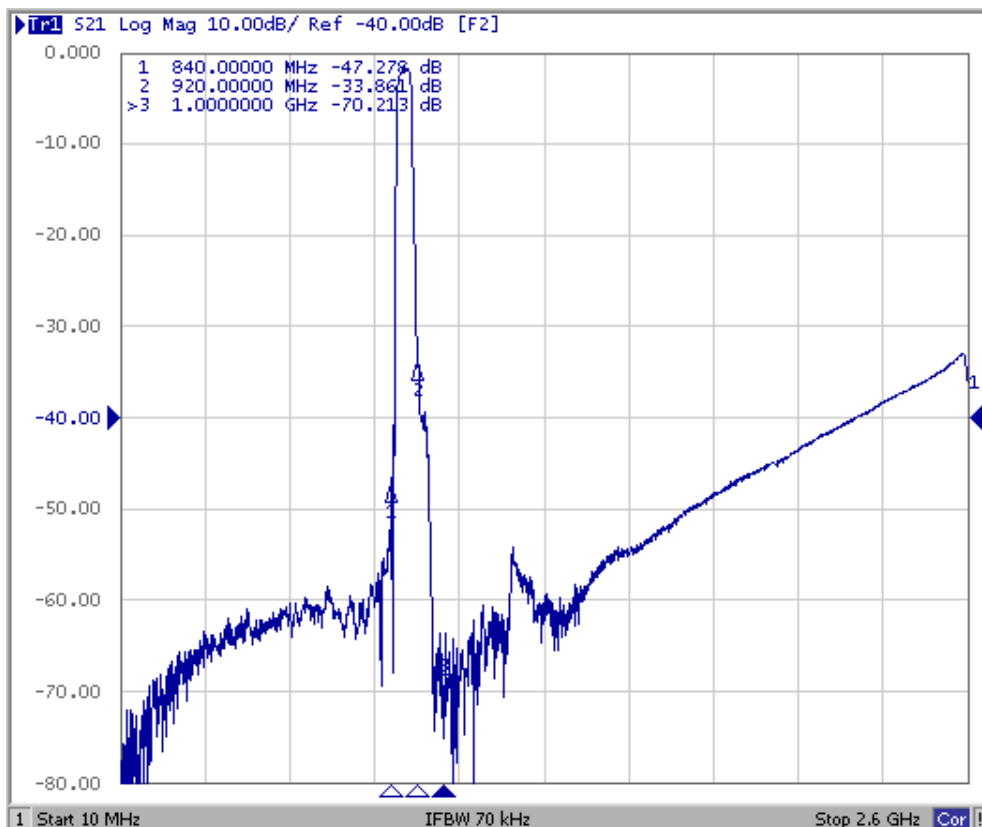
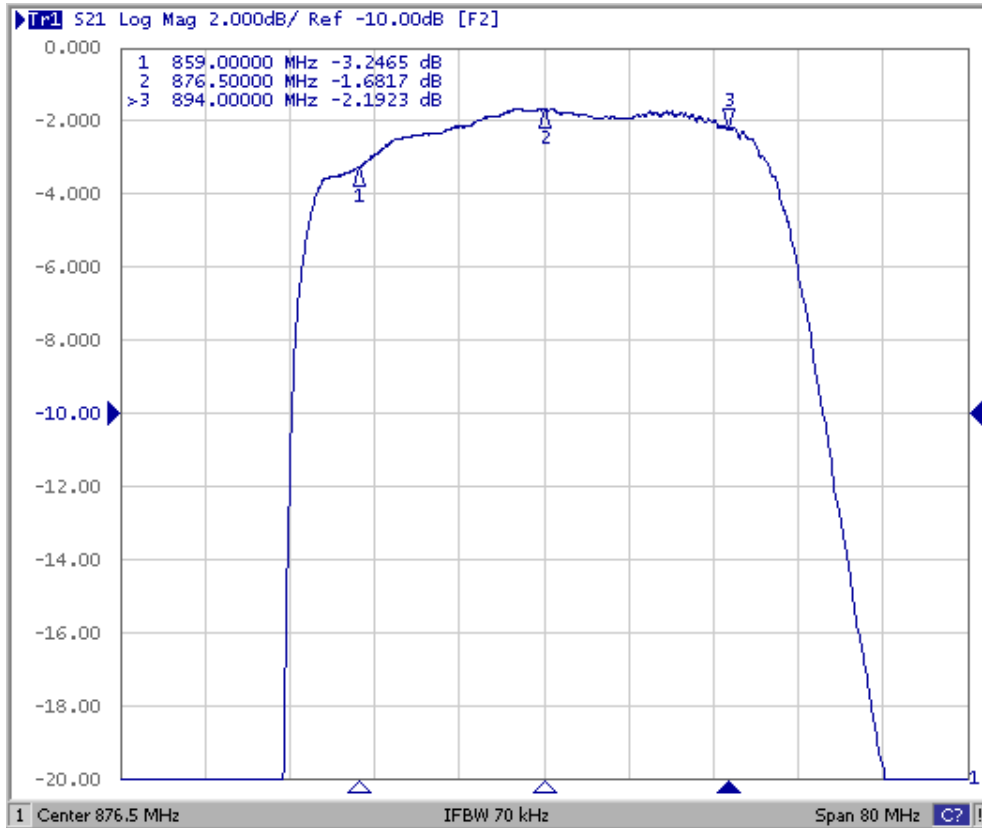
C. MEASUREMENT CIRCUIT:



SAW Filter 876.50MHz
Part No: MP06899

Model: TA1805A
Rev No: 1

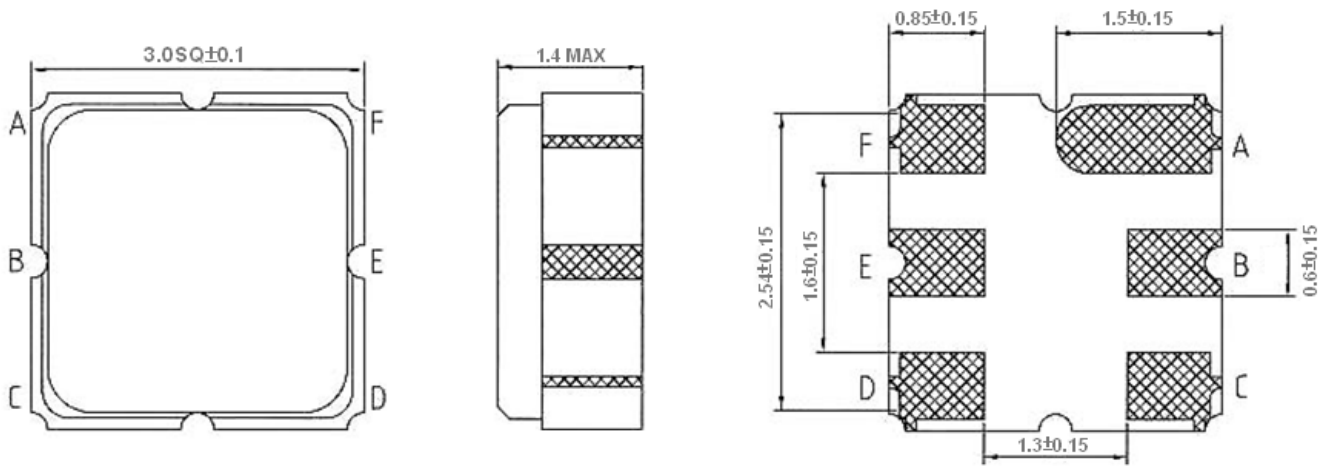
D. FREQUENCY CHARACTERISTICS:



SAW Filter 876.50MHz
Part No: MP06899

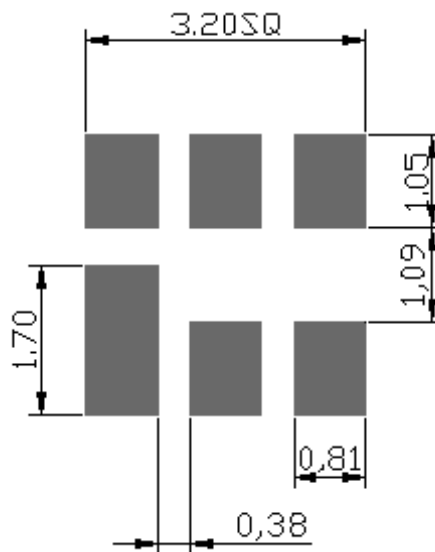
Model: TA1805A
Rev No: 1

E. OUTLINE DRAWING:



B: Input
E: Output
A, C, D, F: Ground
Unit: mm

F. PCB FOOTPRINT:

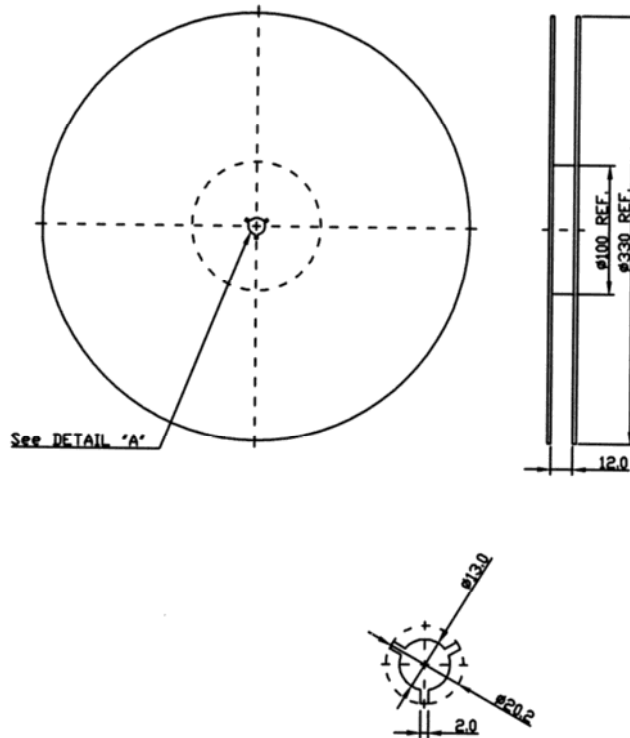


SAW Filter 876.50MHz
Part No: MP06899

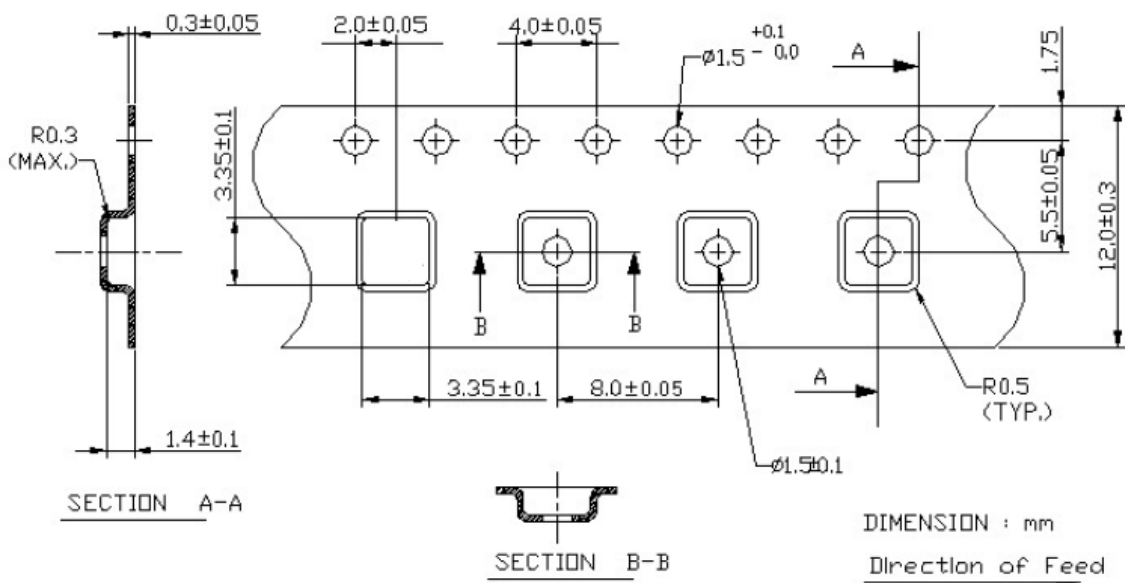
Model: TA1805A
Rev No: 1

G. PACKING:

1. Reel Dimension (Please refer to FR-75D10 for packing quantity)



2. Tape Dimension



SAW Filter 876.50MHz
Part No: MP06899

Model: TA1805A
Rev No: 1

H. RECOMMENDED REFLOW PROFILE:

