

SAW Filter 780.50MHz
Part No: MP06967

Model: TA1866A
Rev No: 1

A. MAXIMUM RATING:

Electrostatic Sensitive Device (ESD)

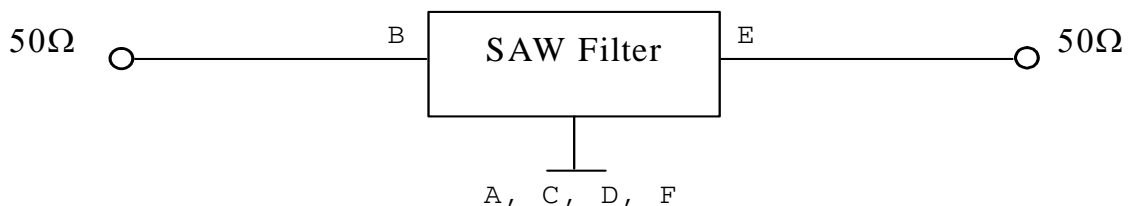
1. Input Power Level: 10dBm
2. DC voltage: 5V
3. Operating Temperature: -30°C to +85°C
4. Storage Temperature: -40°C to +85°C

B. ELECTRICAL CHARACTERISTICS:

Item	Unit	Min.	Typ.	Max.
Center frequency Fc	MHz	-	780.5	-
Insertion Loss (758 ~ 803MHz) IL	dB	-	4	4.5
Amplitude ripple (758 ~ 803MHz)	dB	-	1.3	2
Group delay ripple (758 ~ 803MHz)	ns	-	16	35
VSWR (758 ~ 803MHz)	-	-	1.7	2.5
Attenuation (Reference level from 0dB)				
DC ~ 670MHz	dB	24	28	-
670 ~ 690MHz	dB	28	34	-
703 ~ 748MHz	dB	2	5	-
835 ~ 900MHz	dB	5	22	-
900 ~ 1500MHz	dB	24	28	-
1500 ~ 3000MHz	dB	17	32	-
Temperature coefficient of frequency	ppm/k	-	-80	-

C. MEASUREMENT CIRCUIT:

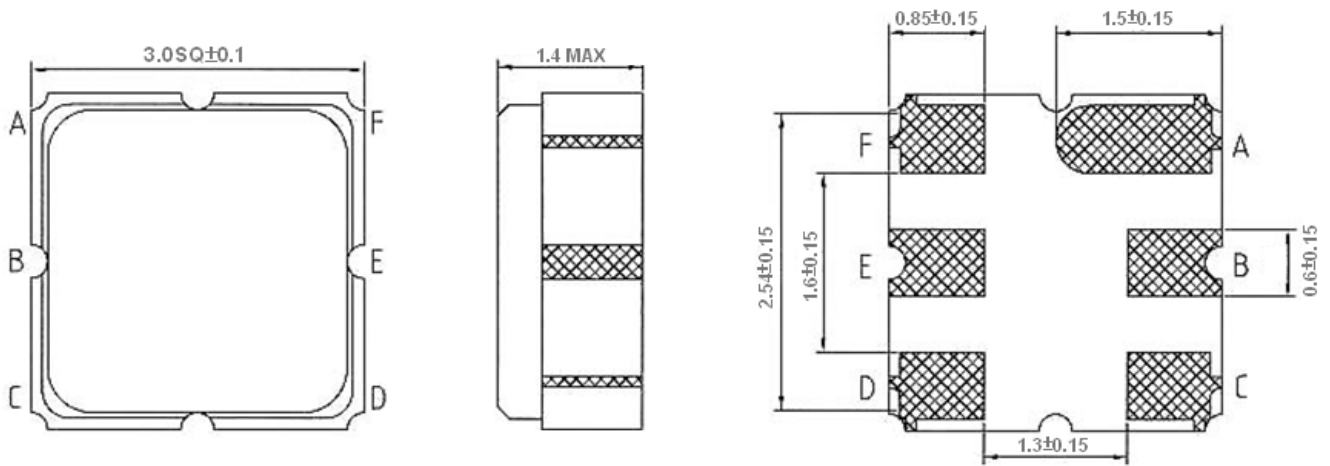
HP Network analyzer



SAW Filter 780.50MHz
Part No: MP06967

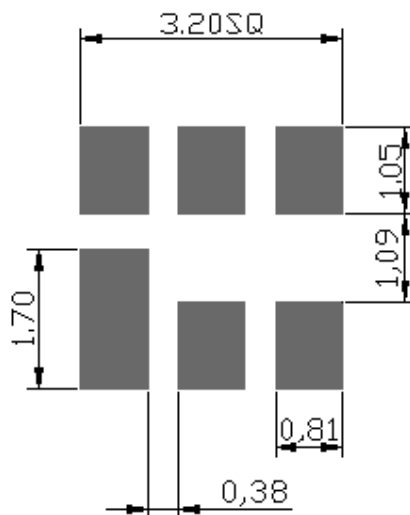
Model: TA1866A
Rev No: 1

D. OUTLINE DRAWING:



B: Input
E: Output
A, C, D, F: Ground
Unit: mm

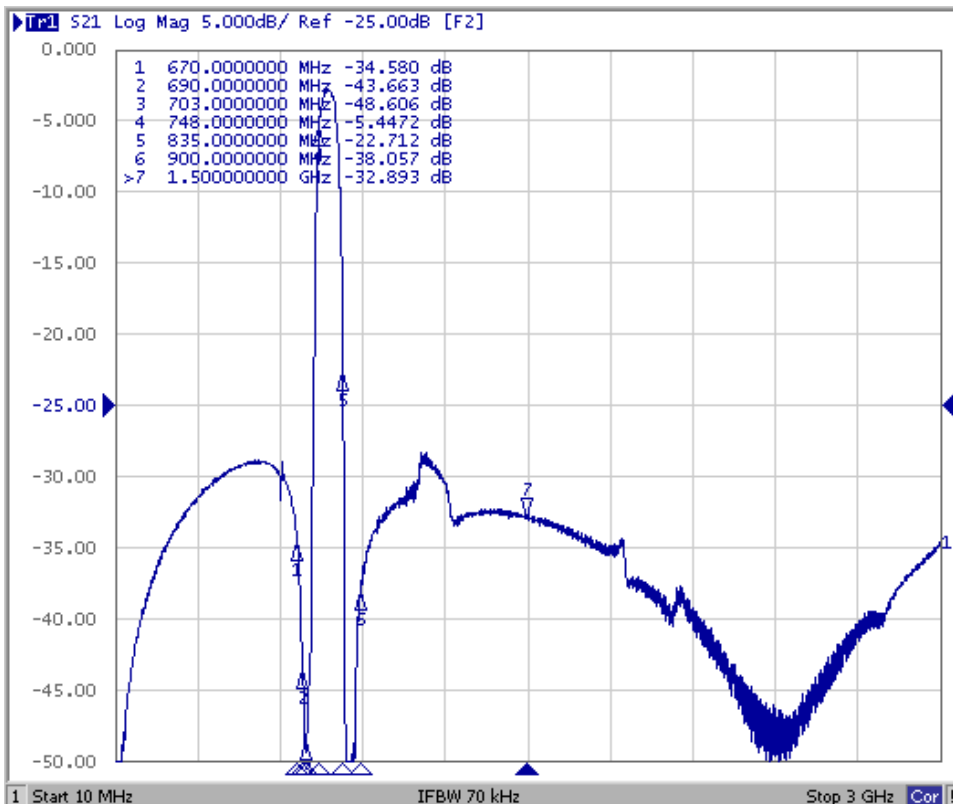
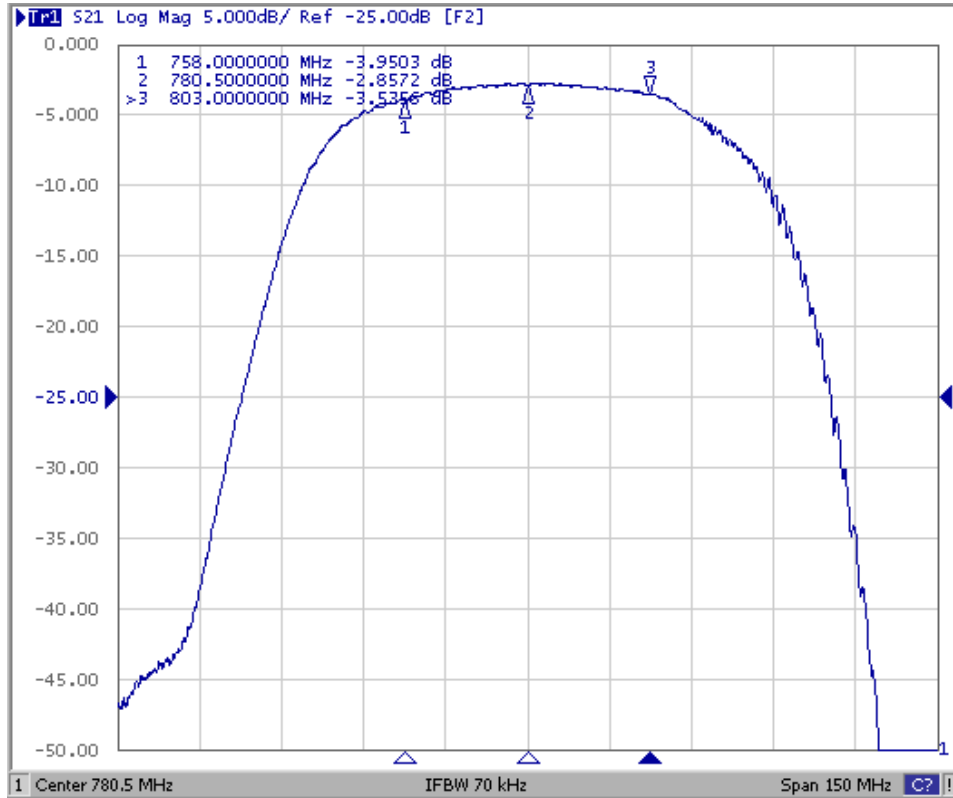
E. PCB FOOTPRINT:



SAW Filter 780.50MHz
Part No: MP06967

Model: TA1866A
Rev No: 1

F. FREQUENCY CHARACTERISTICS:

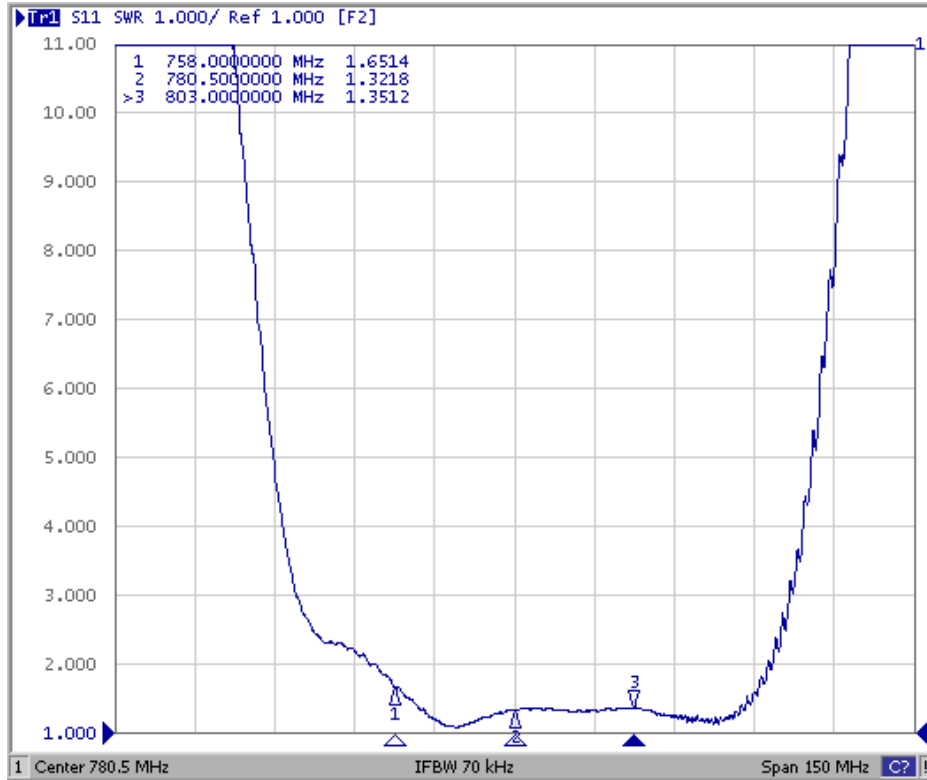


SAW Filter 780.50MHz
Part No: MP06967

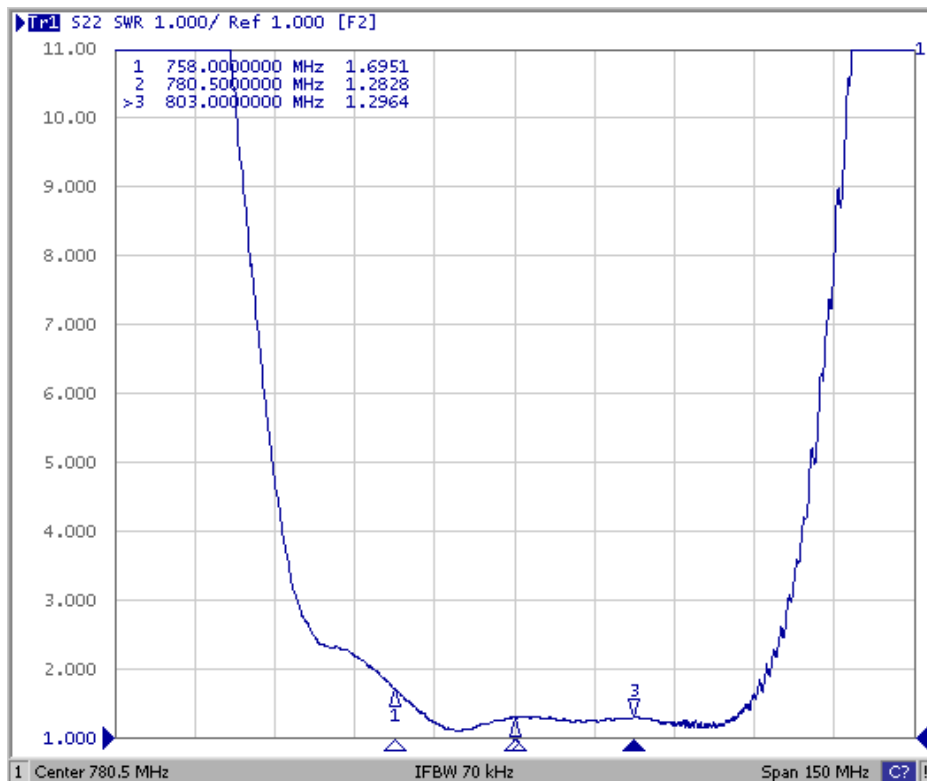
Model: TA1866A
Rev No: 1

Reflection Functions

S11



S22

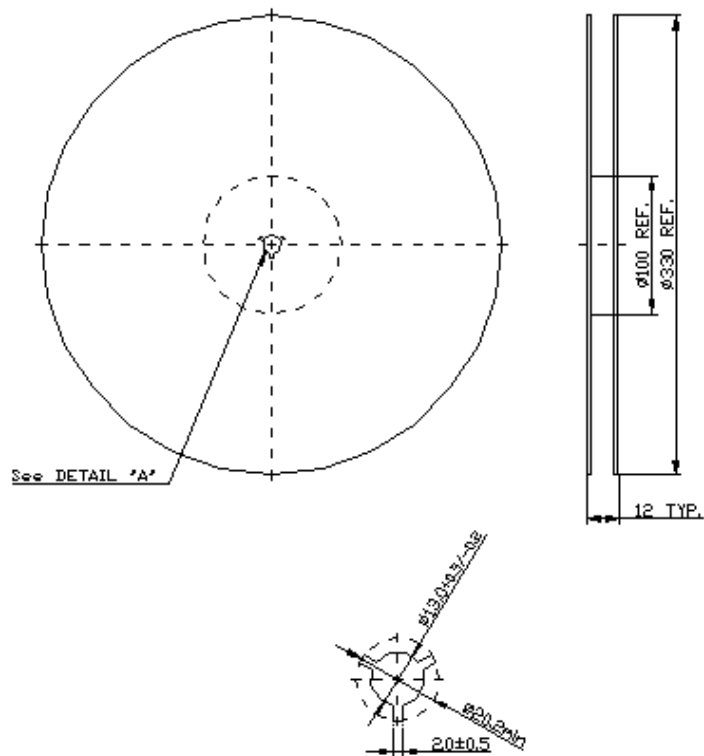


SAW Filter 780.50MHz
Part No: MP06967

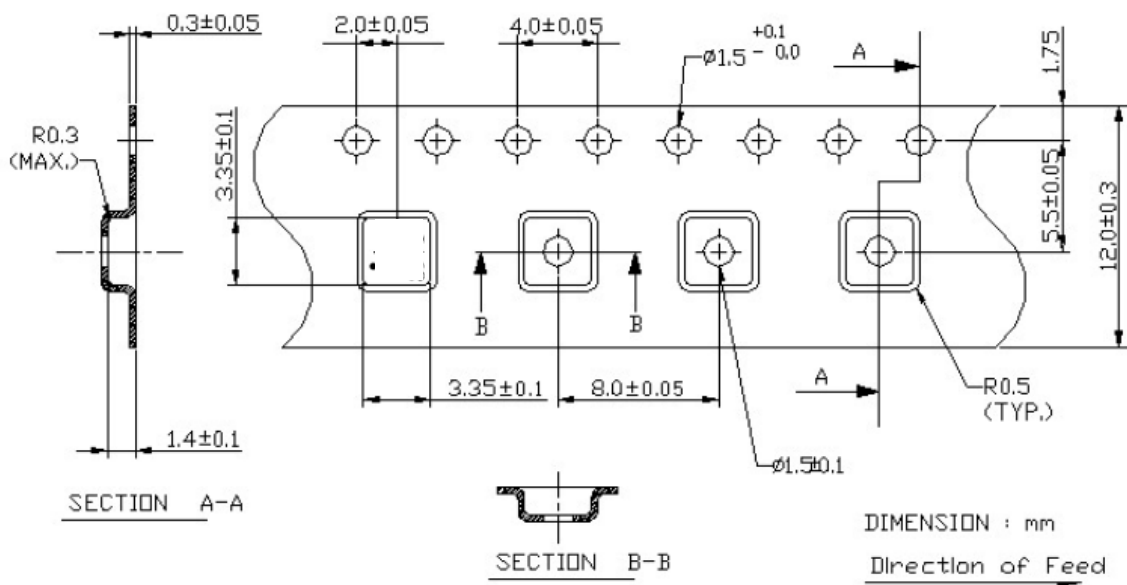
Model: TA1866A
Rev No: 1

G. PACKING:

1. Reel Dimension (Please refer to FR-75D10 for packing quantity)



2. Tape Dimension



SAW Filter 780.50MHz

Model: TA1866A

Part No: MP06967

Rev No: 1

H. RECOMMENDED REFLOW PROFILE:

1. Preheating shall be fixed at 150 ~ 180°C for 60 ~ 90 seconds.
2. Ascending time to preheating temperature 150°C shall be 30 seconds min.
3. Heating shall be fixed at 220°C for 50 ~ 80 seconds and at 245 ~ 260°C peak (min. 10 sec).
4. Time: 2 times.

