

SAW Filter 1583.0MHz

Model: TA1343B

Part No: MP07173 (AEC-Q200 Compliant)

Rev No: 1

A. MAXIMUM RATING:

1. Input Power Level: 13dBm
2. DC Voltage: 0V
3. Operating Temperature: -40°C to +85°C
4. Storage Temperature: -40°C to +85°C

B. ELECTRICAL CHARACTERISTICS:

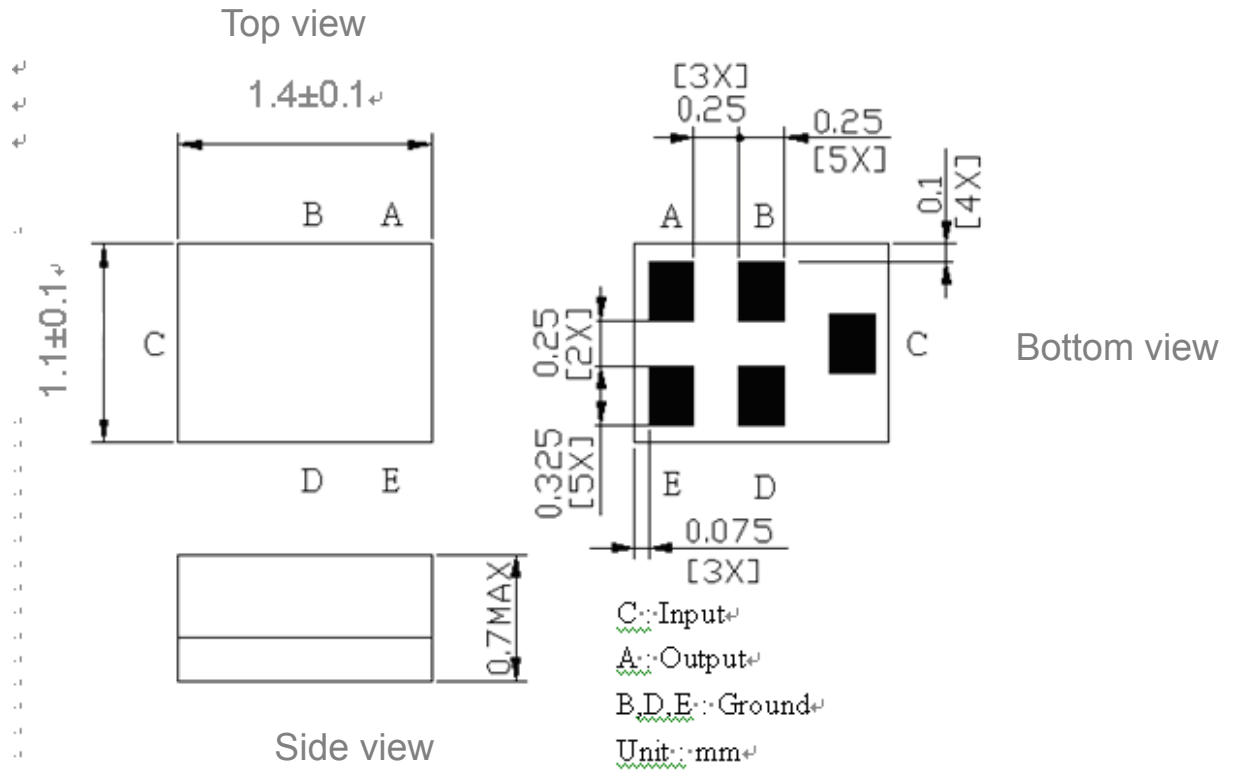
1. Terminating source impedance (single): $Z_S = 50\Omega$
2. Terminating load impedance (single): $Z_L = 50\Omega$

Item	Unit	25 ± 2°C	Typ.	-40 ~ +85°C
Center Frequency Fc	MHz	-	1583	-
Insertion Loss (1559.1 ~ 1563.1MHz) IL	dB	1.9max	1.8	2.1max
Insertion Loss (1573.42 ~ 1577.42MHz) IL	dB	1.3max	1.2	1.5max
Insertion Loss (1597.55 ~ 1605.89 MHz) IL	dB	1.6max	1.5	2.1max
VSWR (1559.1 ~ 1563.1MHz)		1.5max	1.4	1.8max
VSWR (1573.42 ~ 1577.42MHz)		1.7max	1.6	1.9max
VSWR (1597.55 ~ 1605.89MHz)		1.7max	1.6	1.9max
Amplitude ripple (1559.1 ~ 1563.1MHz)	dB	0.6max	0.5	0.8max
(1573.42 ~ 1577.42MHz)	dB	0.3max	0.2	0.5max
(1597.55 ~ 1605.89MHz)	dB	0.5max	0.3	0.6max
Attenuation				
10 ~ 824MHz	dB	25min	30	25min
824 ~ 925MHz	dB	25min	30	25min
1427 ~ 1463MHz	dB	30min	35	30min
1710 ~ 1785MHz	dB	25min	30	25min
1850 ~ 1980MHz	dB	26min	30	26min
2400 ~ 2570MHz	dB	30min	33	30min
2570 ~ 3000MHz	dB	35min	38	35min
Package size	mm	SMD 1.4 x 1.1		

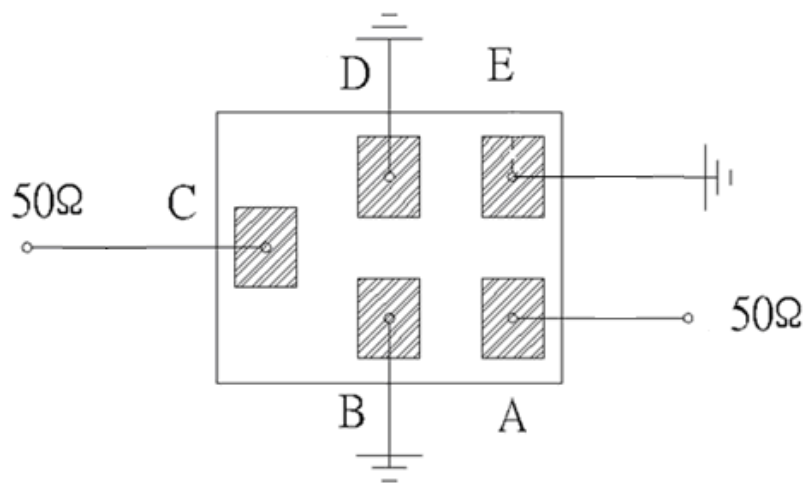
SAW Filter 1583.0MHz
Part No: MP07173 (AEC-Q200 Compliant)

Model: TA1343B
Rev No: 1

C. OUTLINE DRAWING:



D. MEASUREMENT CIRCUIT:

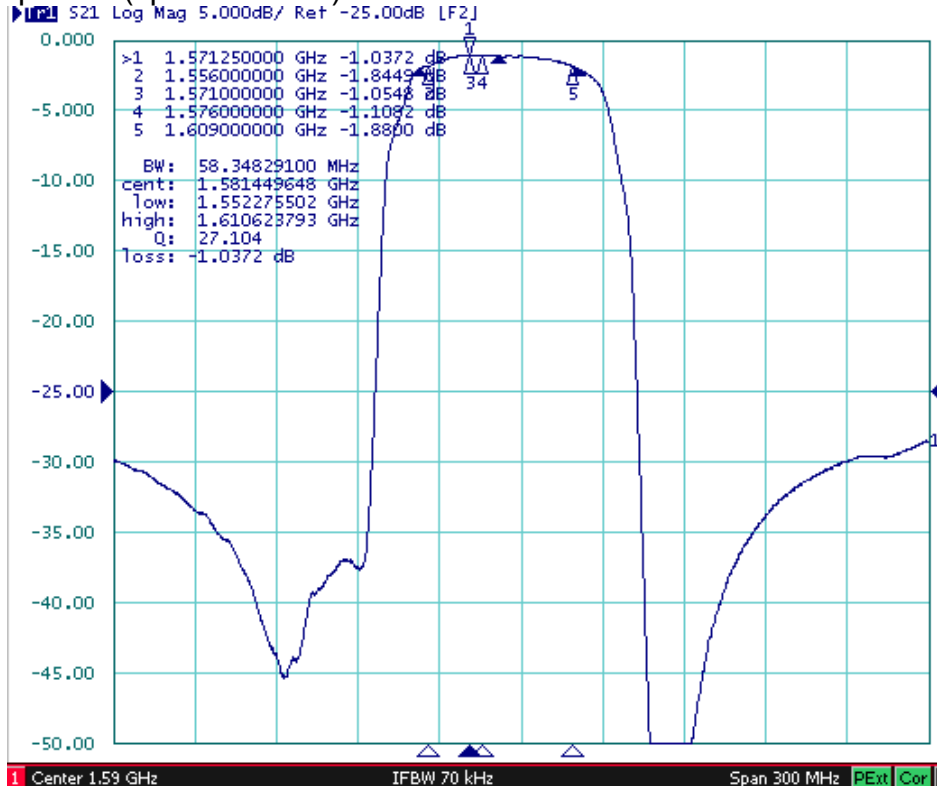


SAW Filter 1583.0MHz
Part No: MP07173 (AEC-Q200 Compliant)

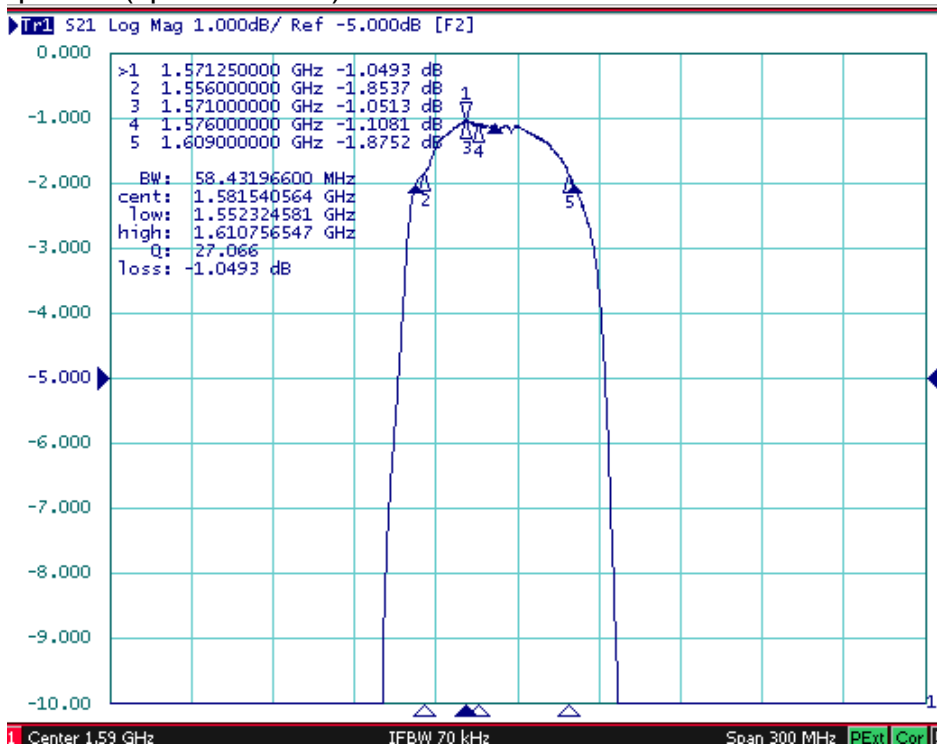
Model: TA1343B
Rev No: 1

E. FREQUENCY CHARACTERISTICS:

1. S21 response: (span 300MHz)



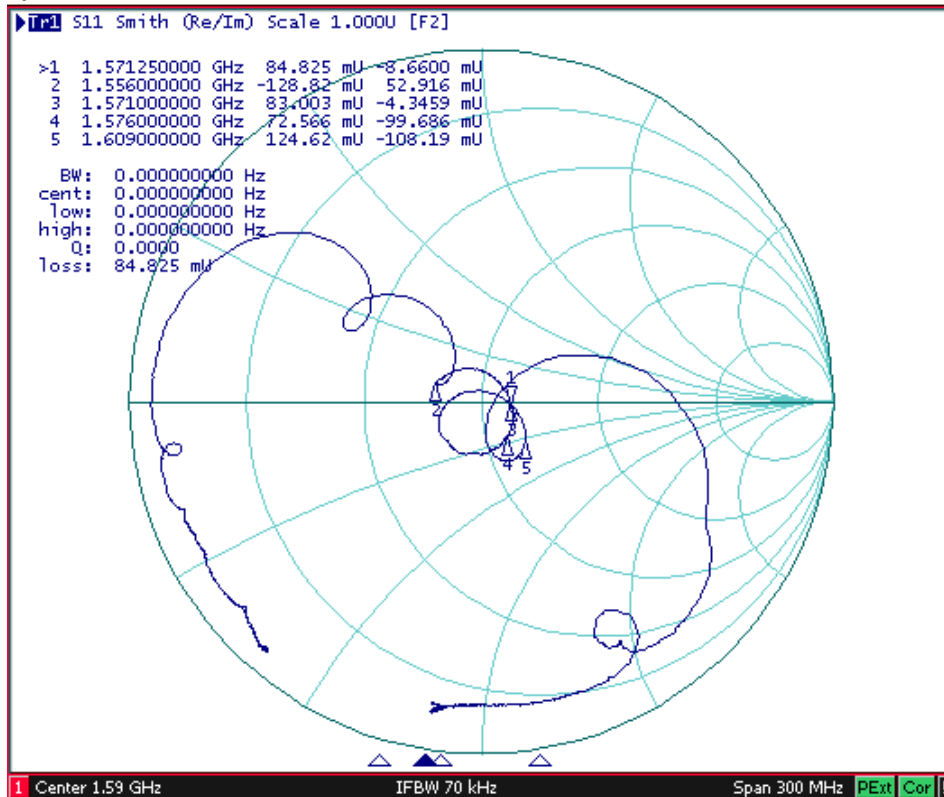
2. S21 response: (span 300MHz)



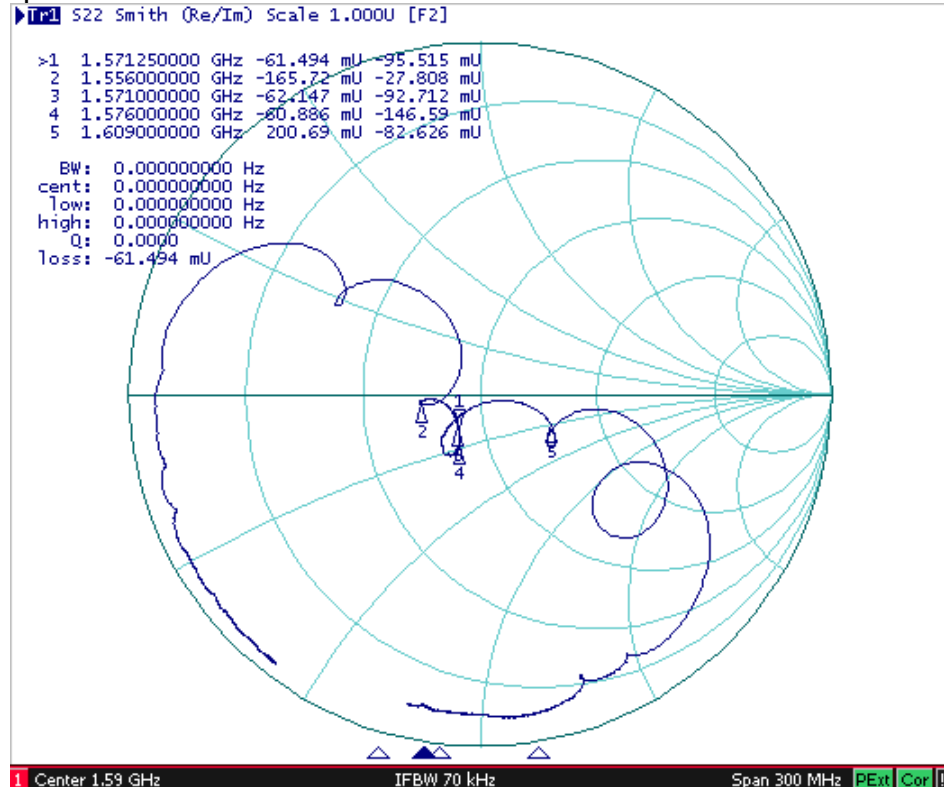
SAW Filter 1583.0MHz
Part No: MP07173 (AEC-Q200 Compliant)

Model: TA1343B
Rev No: 1

3. S11 response:



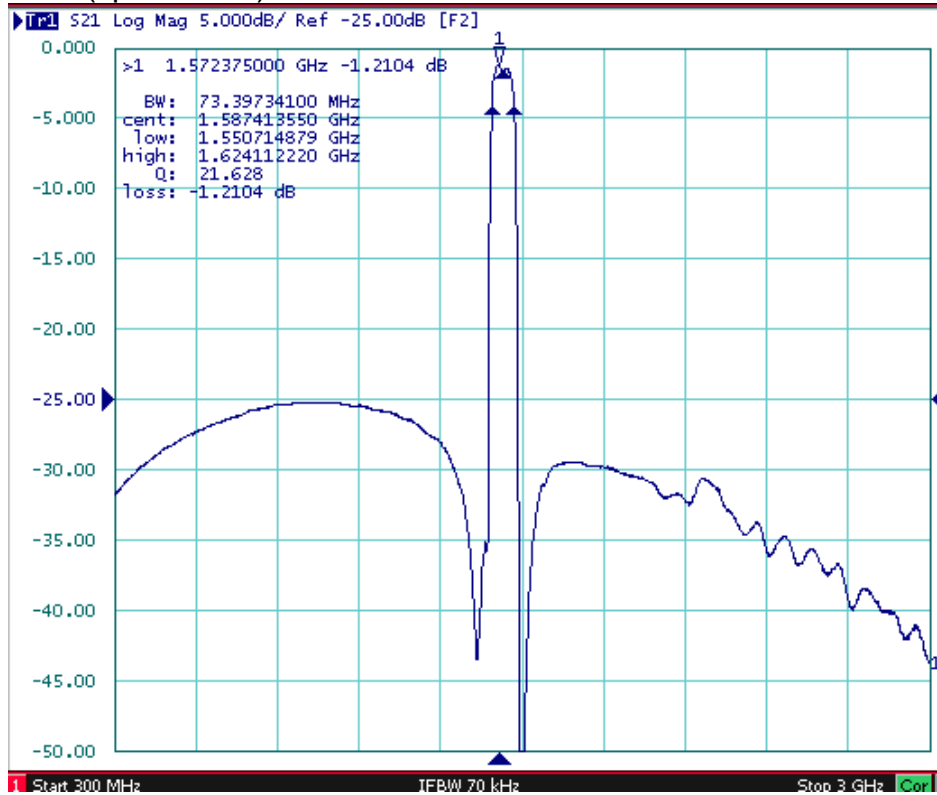
4. S22 response:



SAW Filter 1583.0MHz
Part No: MP07173 (AEC-Q200 Compliant)

Model: TA1343B
Rev No: 1

5. S21 response: (span 3GHz)

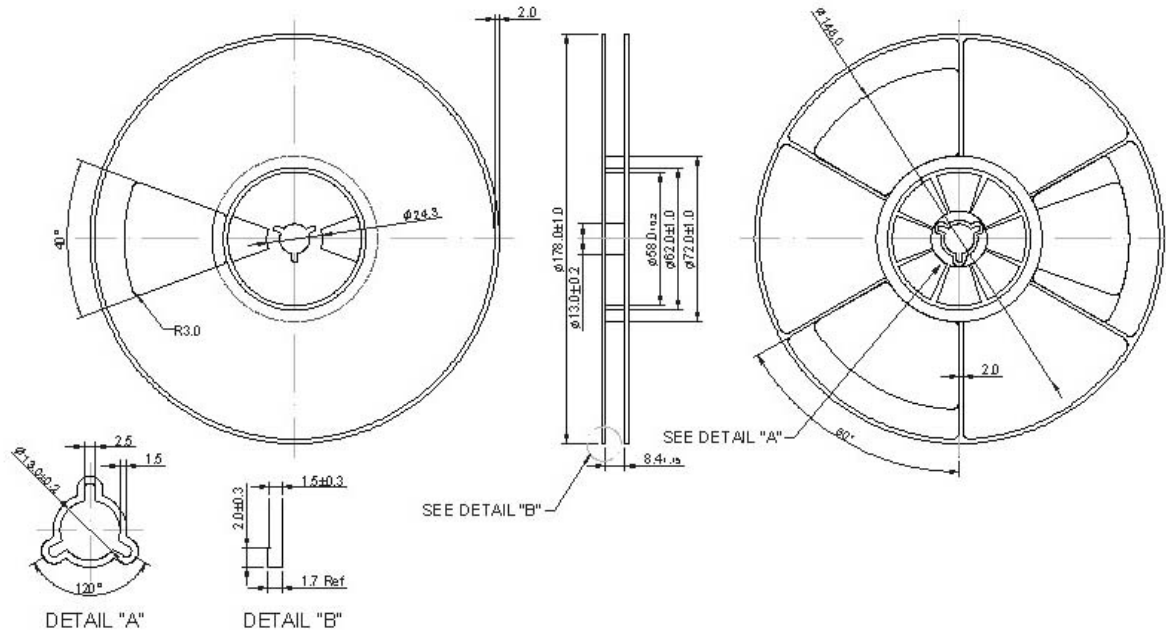


SAW Filter 1583.0MHz
Part No: MP07173 (AEC-Q200 Compliant)

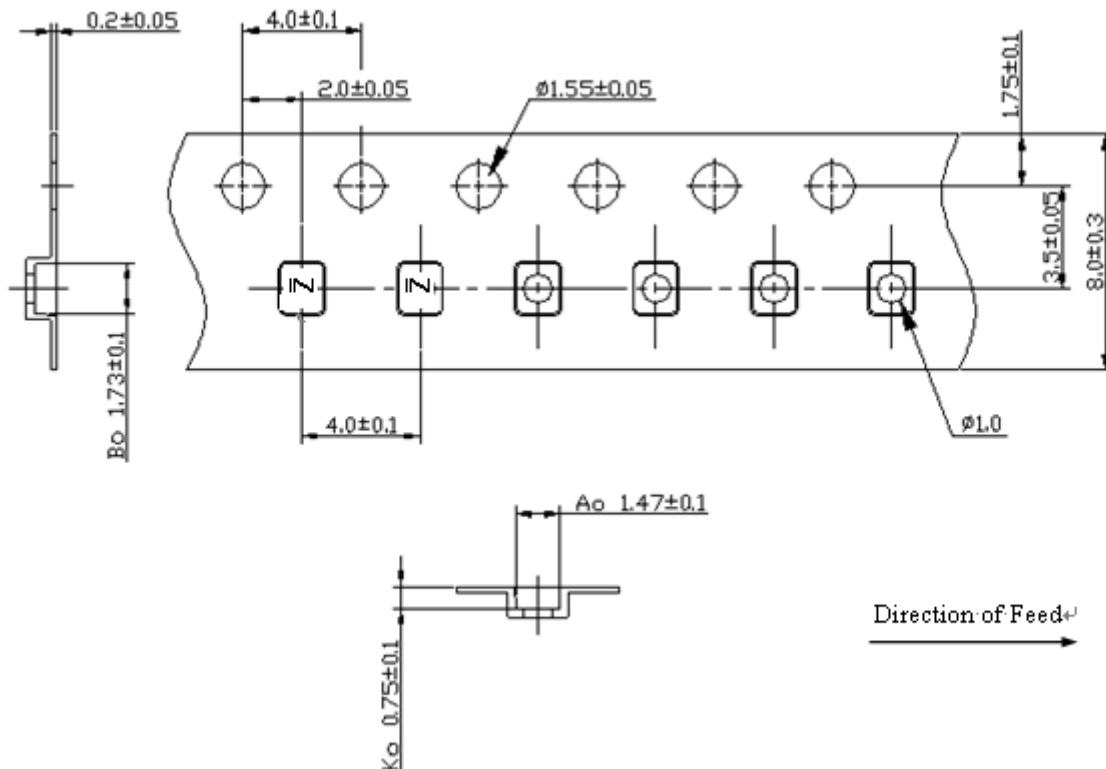
Model: TA1343B
Rev No: 1

F. PACKING:

1. Reel Dimension (Please refer to FR-75D10 for packing quantity)



2. Tape Dimension



SAW Filter 1583.0MHz

Model: TA1343B

Part No: MP07173 (AEC-Q200 Compliant)

Rev No: 1

G. RECOMMENDED REFLOW PROFILE:

1. Preheating shall be fixed at 150 ~ 180°C for 60 ~ 90 seconds.
2. Ascending time to preheating temperature 150°C shall be 30 seconds min.
3. Heating shall be fixed at 220°C for 50 ~ 80 seconds and at 245 ~ 260°C peak (min. 10 sec).
4. Time: 2 times.

