

SAW Filter 2350.0MHz
Part No: MP07589

Model: TA0913B
Rev No: 1

A. MAXIMUM RATING:

1. Input Power Level: 10dBm
2. DC Voltage: 3V
3. Operating Temperature: -30°C to +85°C
4. Storage Temperature: -30°C to +85°C

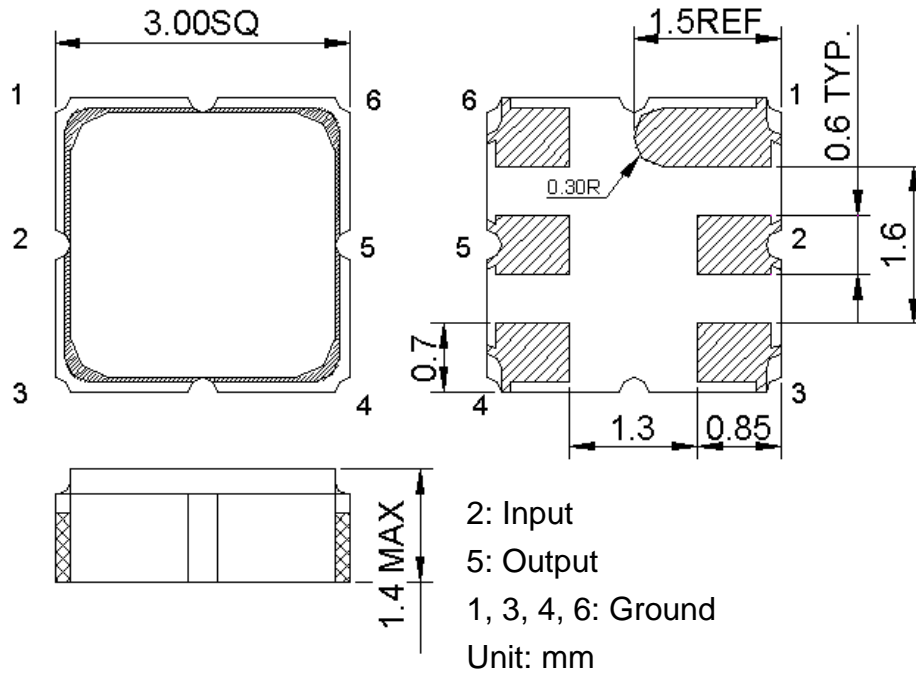
B. ELECTRICAL CHARACTERISTICS:

Item	Unit	Min.	Typ.	Max.	Note
Center Frequency Fc	MHz	-	2350	-	-
Insertion Loss (2300 ~ 2400MHz) IL	dB	-	3	4	-
Amplitude Ripple (2300 ~ 2400MHz)	dB	-	1.5	3.1	-
VSWR (2300 ~ 2400MHz)		-	2.2	2.5	-
Attenuation (Reference level from 0dB)					
DC ~ 2050MHz	dB	23	28	-	-
2050 ~ 2170MHz	dB	30	32	-	-
2170 ~ 2250MHz	dB	24	40	-	-
2433 ~ 2438MHz	dB	12	30	-	-
2438 ~ 2443MHz	dB	21	40	-	-
2443 ~ 2485MHz	dB	35	55	-	-
2485 ~ 2550MHz	dB	18	38	-	-
2550 ~ 4000MHz	dB	27	31	-	-
Temperature Coefficient of Frequency	ppm/°C	-	-36	-	-

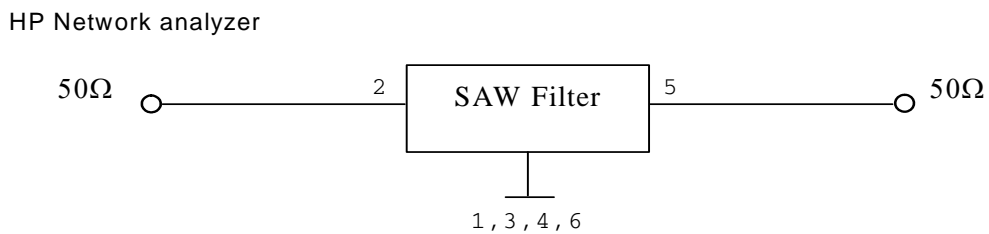
SAW Filter 2350.0MHz
Part No: MP07589

Model: TA0913B
Rev No: 1

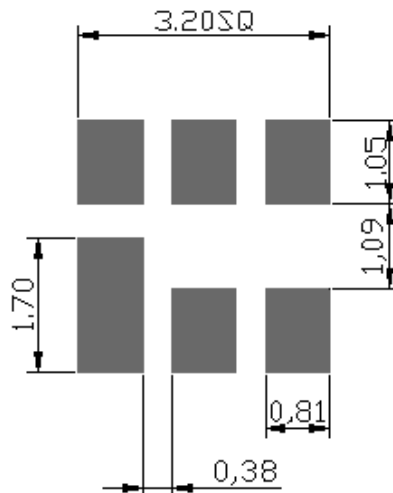
C. OUTLINE DRAWING:



D. MEASUREMENT CIRCUIT:



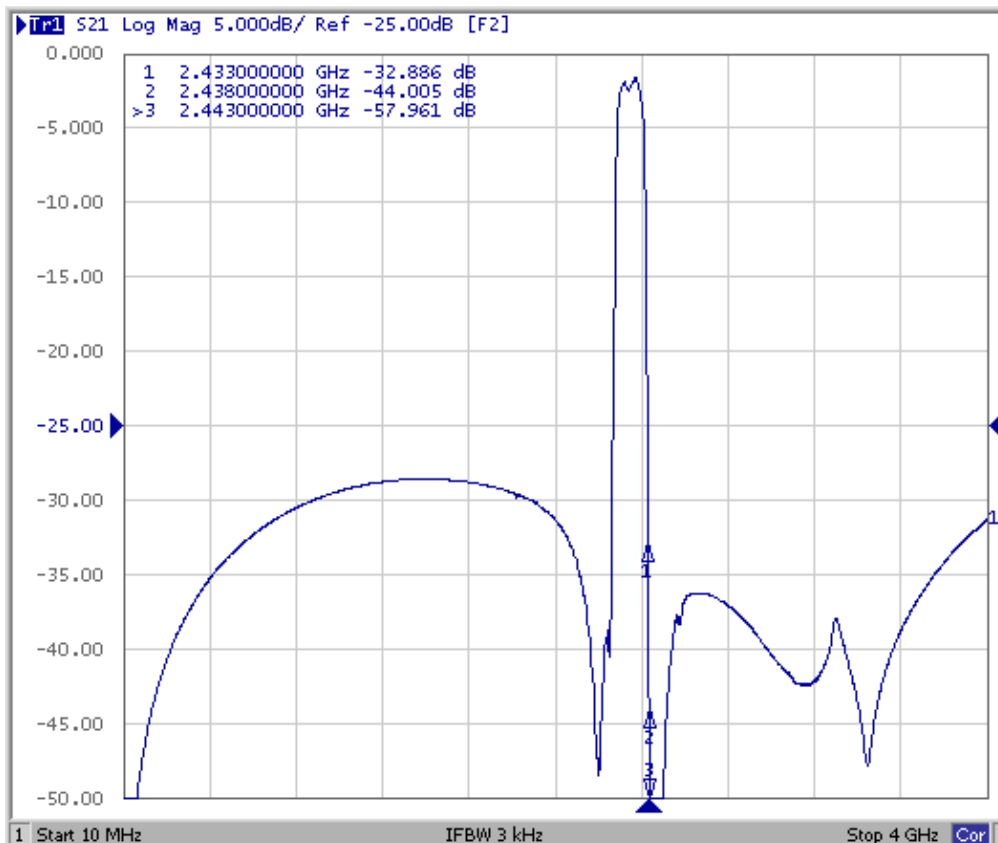
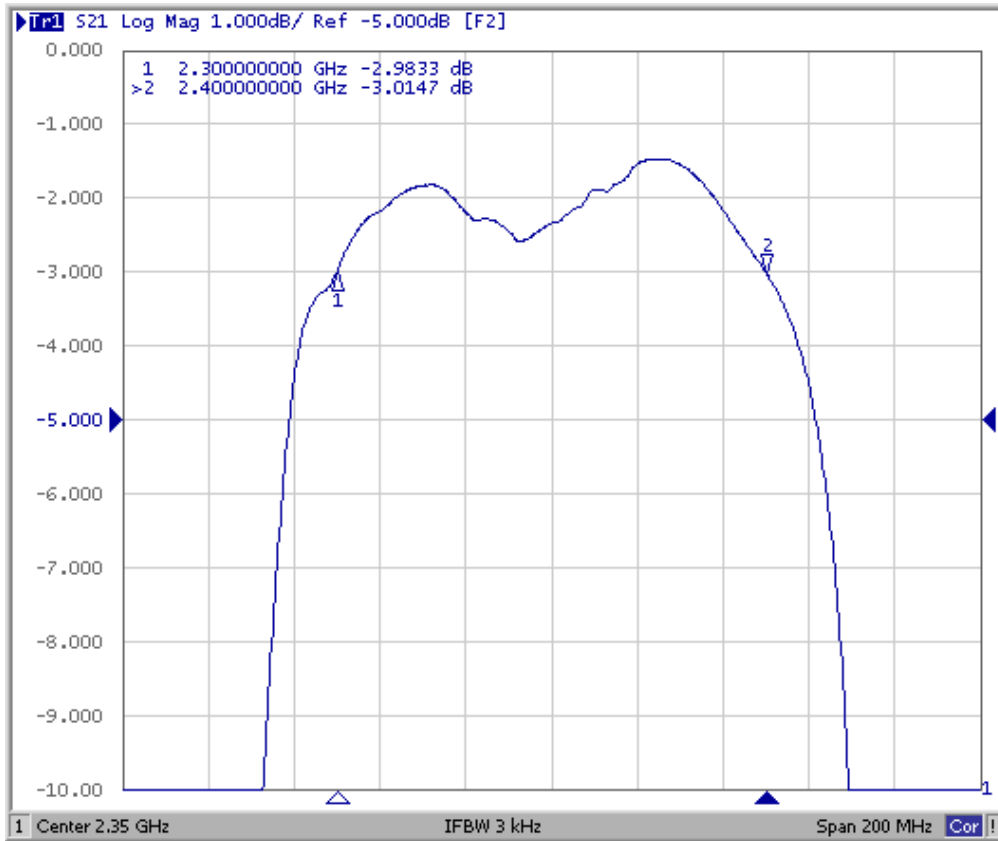
E. PCB FOOTPRINT:



SAW Filter 2350.0MHz
Part No: MP07589

Model: TA0913B
Rev No: 1

F. FREQUENCY CHARACTERISTICS:

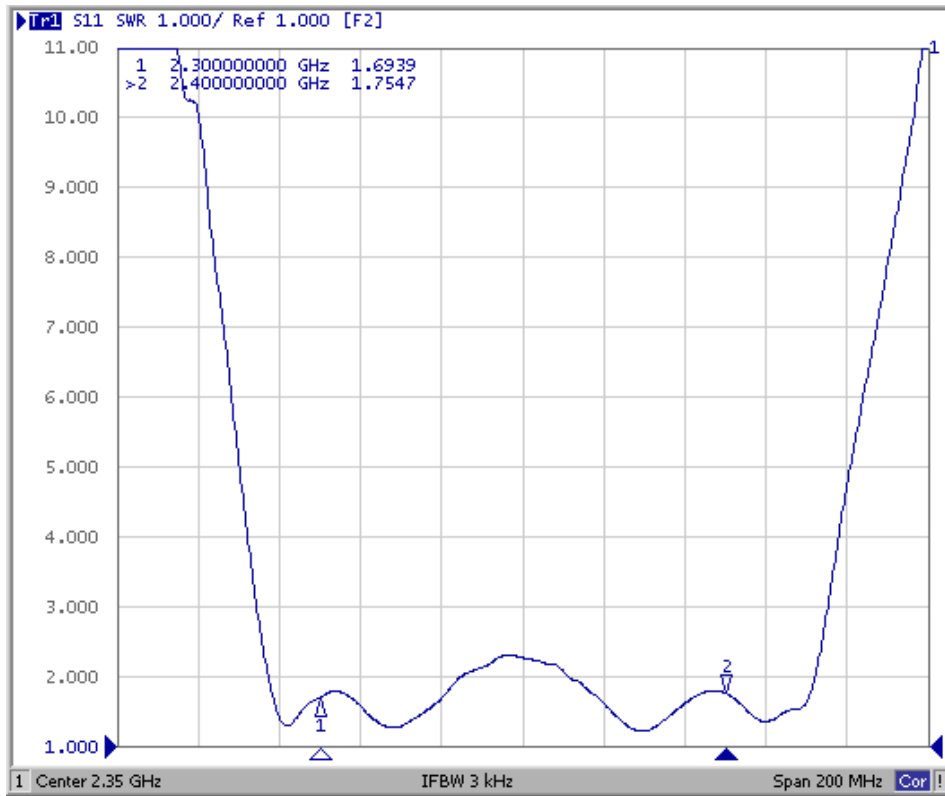


SAW Filter 2350.0MHz
Part No: MP07589

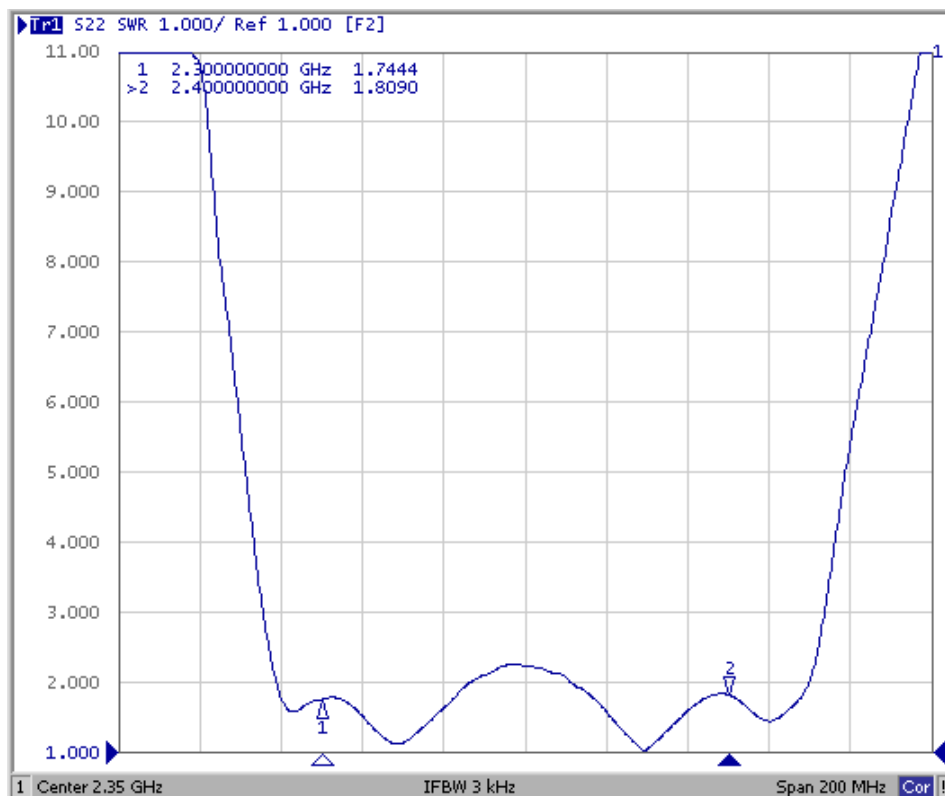
Model: TA0913B
Rev No: 1

Reflection Functions

S11



S22

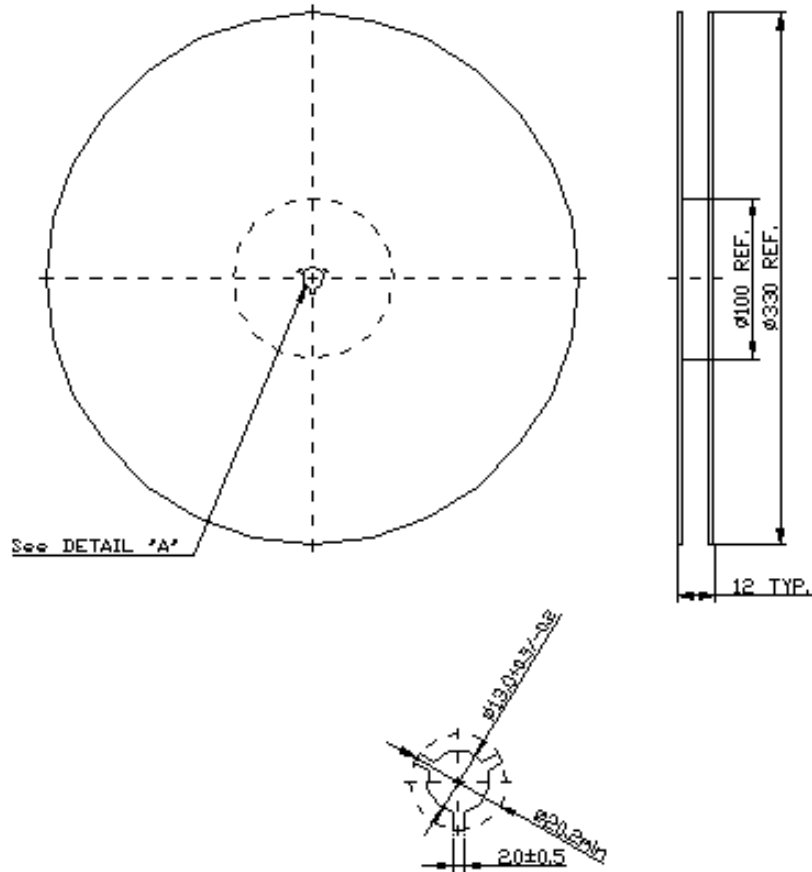


SAW Filter 2350.0MHz
Part No: MP07589

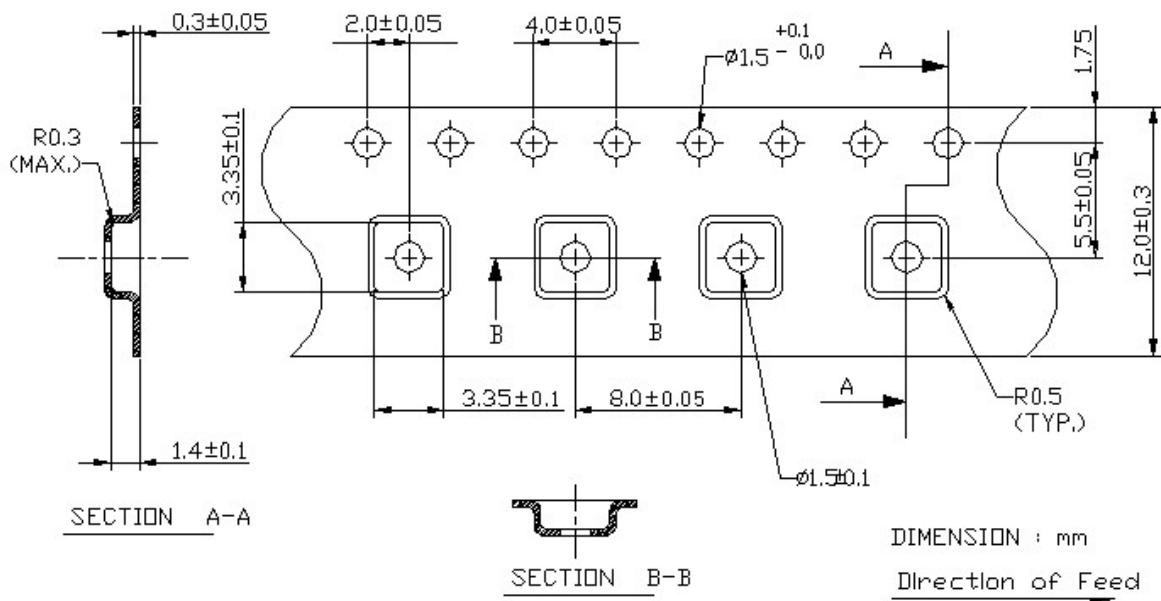
Model: TA0913B
Rev No: 1

G. PACKING:

1. Reel Dimension (Reel Count: 7" = 1000; 13" = 3000)



2. Tape Dimension



SAW Filter 2350.0MHz
Part No: MP07589

Model: TA0913B
Rev No: 1

H. RECOMMENDED REFLOW PROFILE:

