

SAW Filter 1575.420MHz
Part No: MP07746

Model: TA2014A
Rev No: 1

A. MAXIMUM RATING:

1. Input Power Level: 13dBm
2. DC Voltage: 3V
3. Operating Temperature: -30°C to +85°C
4. Storage Temperature: -40°C to +85°C

B. ELECTRICAL CHARACTERISTICS:

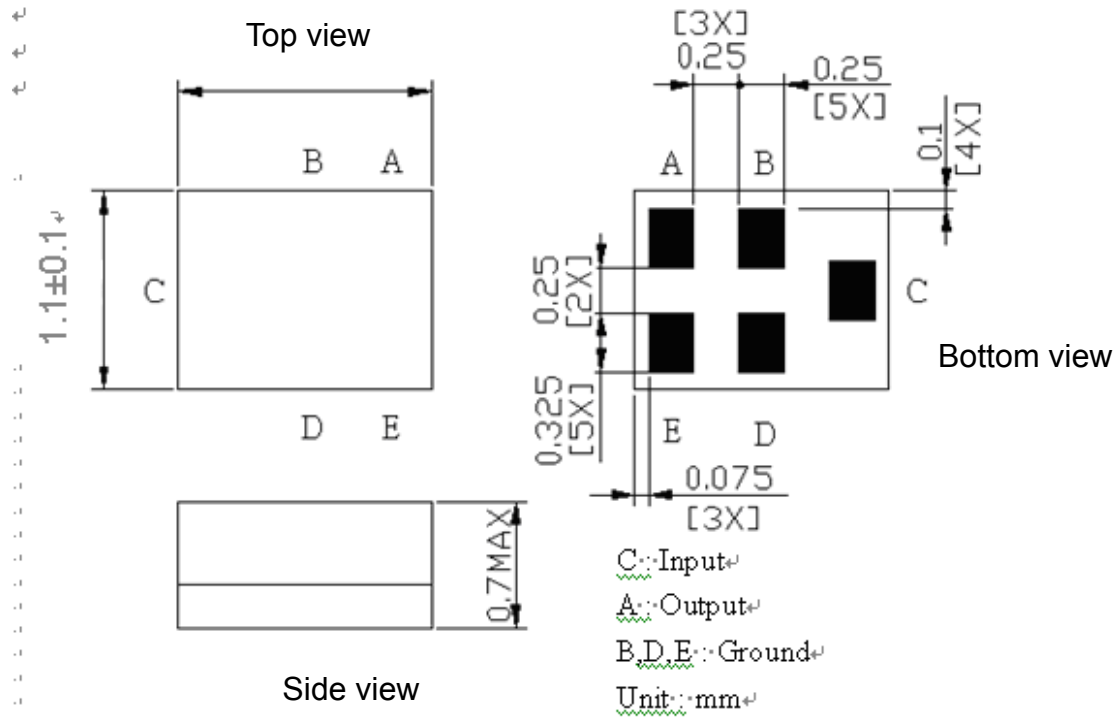
1. Terminating source impedance (single): $Z_S = 50\Omega$
2. Terminating load impedance (single): $Z_L = 50\Omega$

Item	Unit	Min.	Typ.	Max.
Center Frequency Fc	MHz	-	1575.42	-
Insertion Loss (1574.42 ~ 1576.42MHz) IL	dB		1.8	2.2
VSWR (1574.42 ~ 1576.42MHz)			1.5	1.8
Amplitude ripple (1574.42 ~ 1576.42MHz)	dB		0.3	0.5
Attenuation				
0.1 ~ 810MHz	dB	45	50	
810 ~ 960MHz	dB	46	49	
960 ~ 1492MHz	dB	40	45	
1524 ~ 1545MHz	dB	8	15	
1625.5 ~ 1646.5MHz	dB	50	55	
1710 ~ 1750MHz	dB	48	53	
1750 ~ 1785MHz	dB	49	54	
1785 ~ 1980MHz	dB	45	50	
1980 ~ 2400MHz	dB	50	55	
2400 ~ 3000MHz	dB	35	40	
Package size	mm	SMD 1.4x1.1		

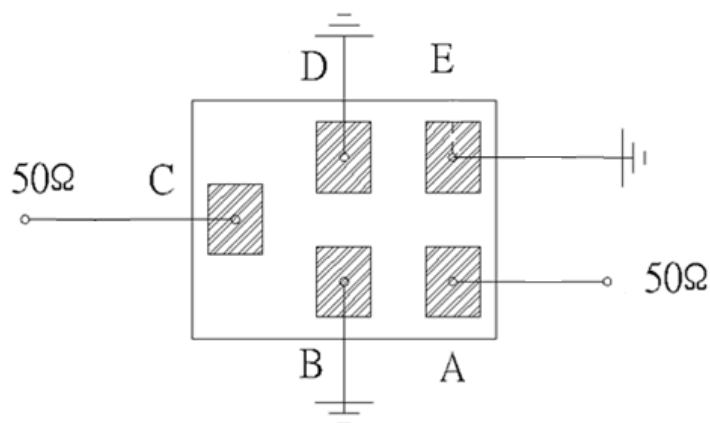
SAW Filter 1575.420MHz
Part No: MP07746

Model: TA2014A
Rev No: 1

C. OUTLINE DRAWING:



D. MEASUREMENT CIRCUIT:

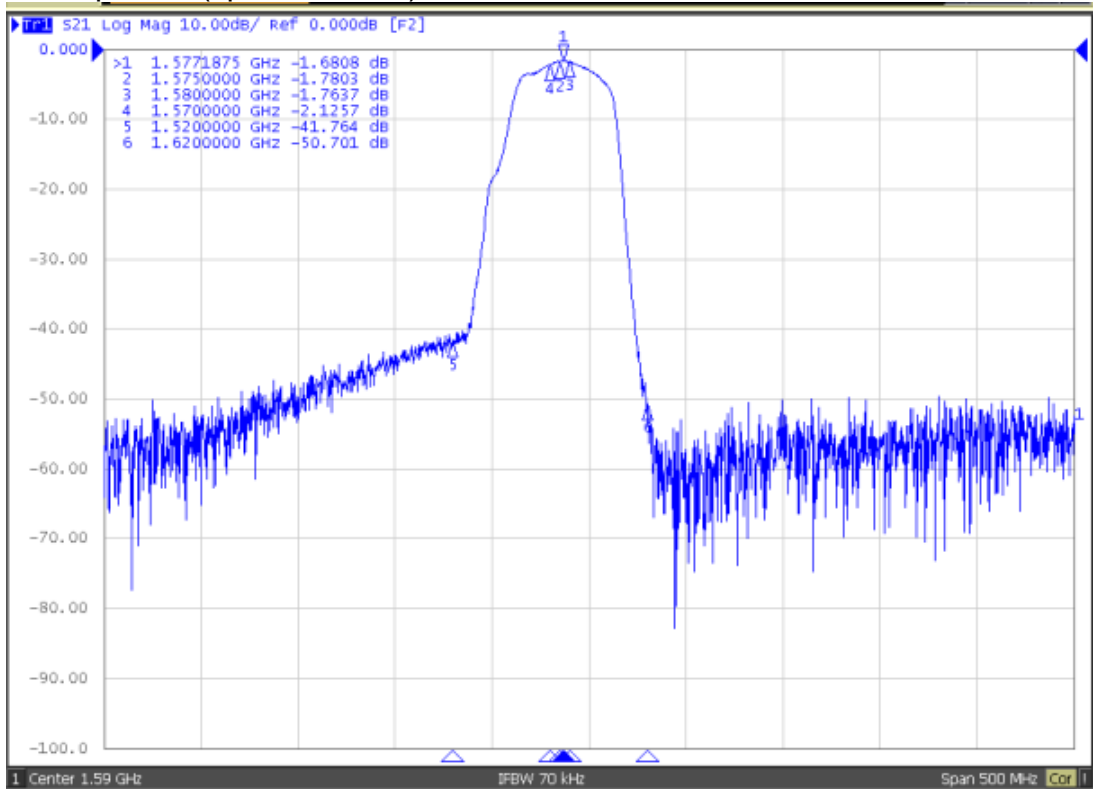


SAW Filter 1575.420MHz
Part No: MP07746

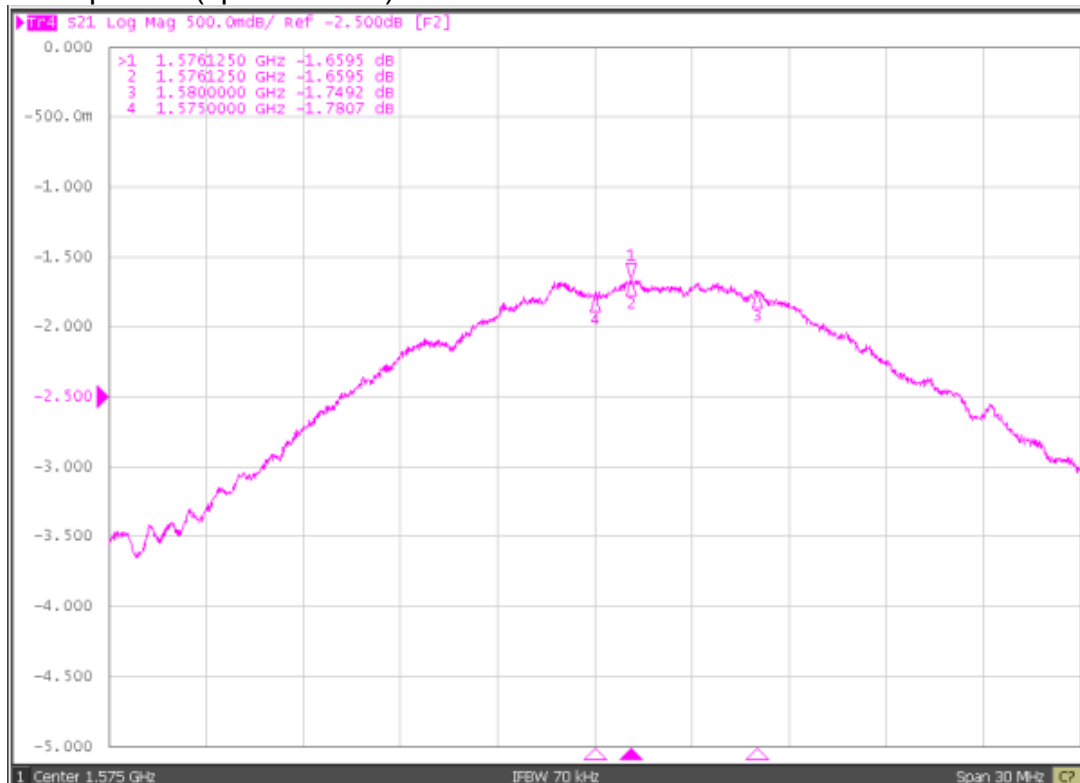
Model: TA2014A
Rev No: 1

E. FREQUENCY CHARACTERISTICS:

1. S21 response: (span 500MHz)



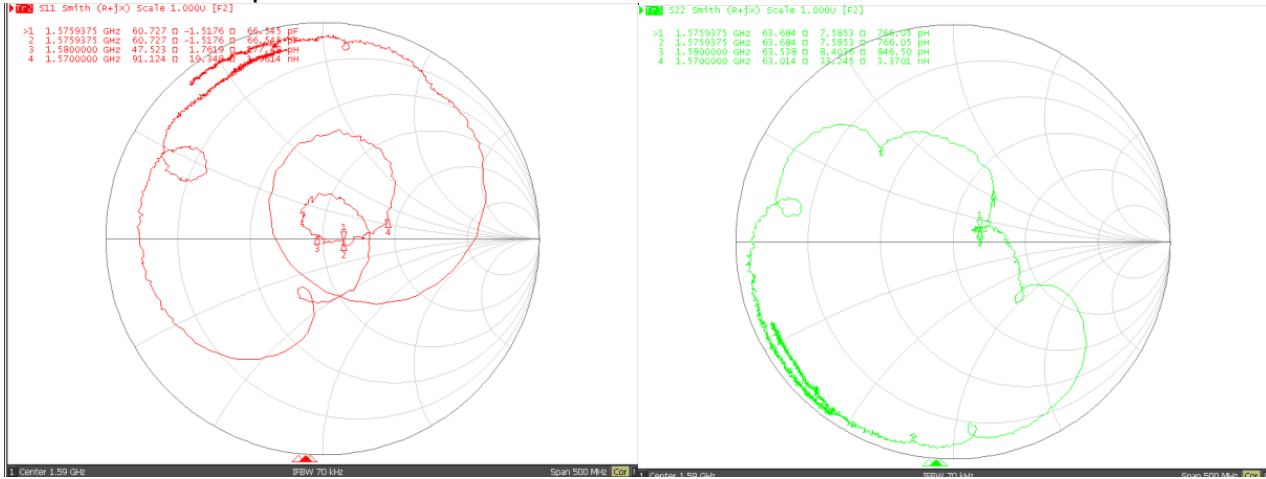
2. S21 response: (span 30MHz)



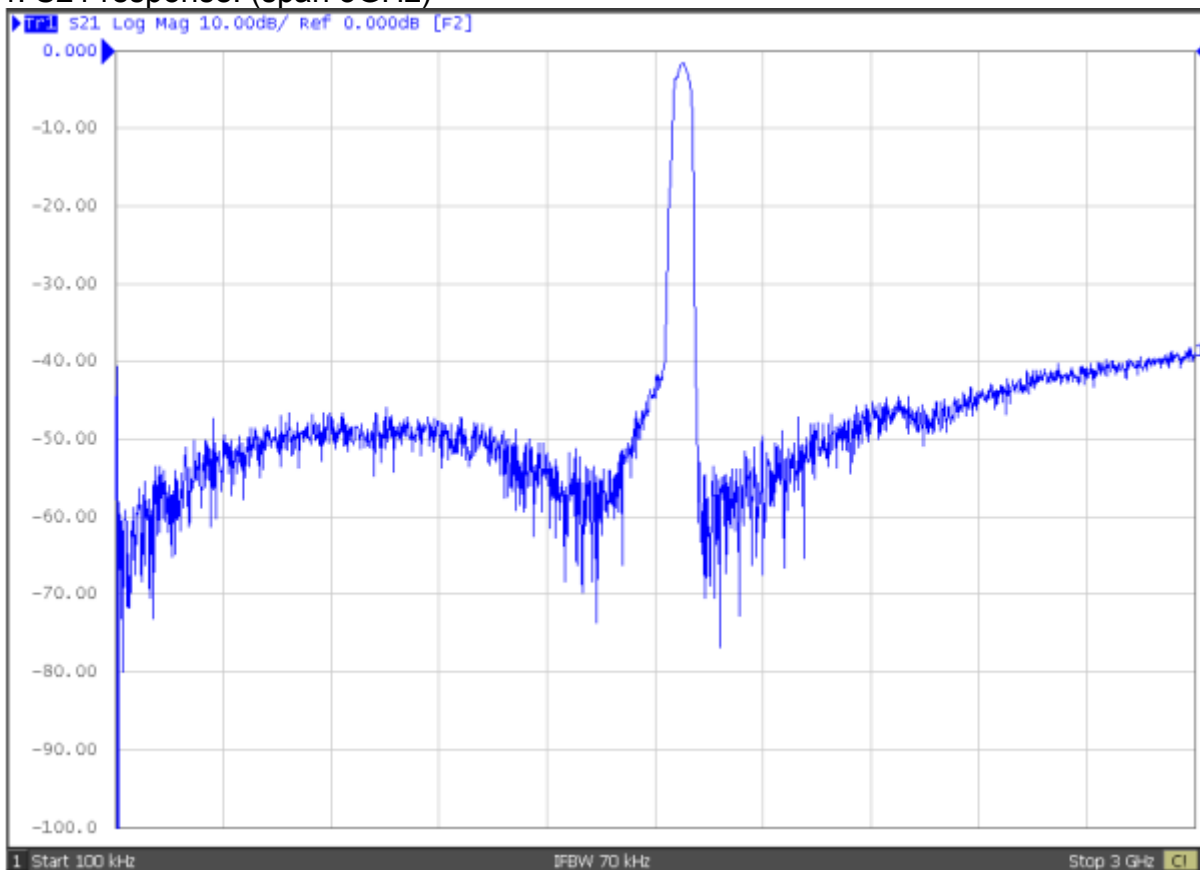
SAW Filter 1575.420MHz
Part No: MP07746

Model: TA2014A
Rev No: 1

3. S11/S22 response:



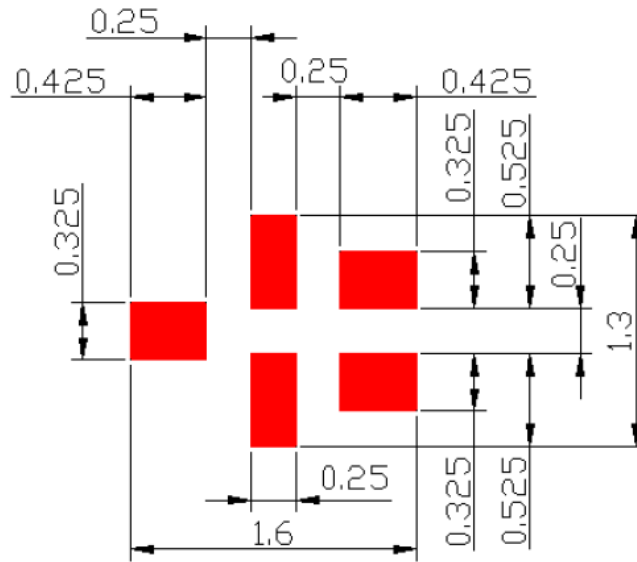
4. S21 response: (span 3GHz)




SAW Filter 1575.420MHz
Part No: MP07746

Model: TA2014A
Rev No: 1

F. PCB FOOTPRINT:



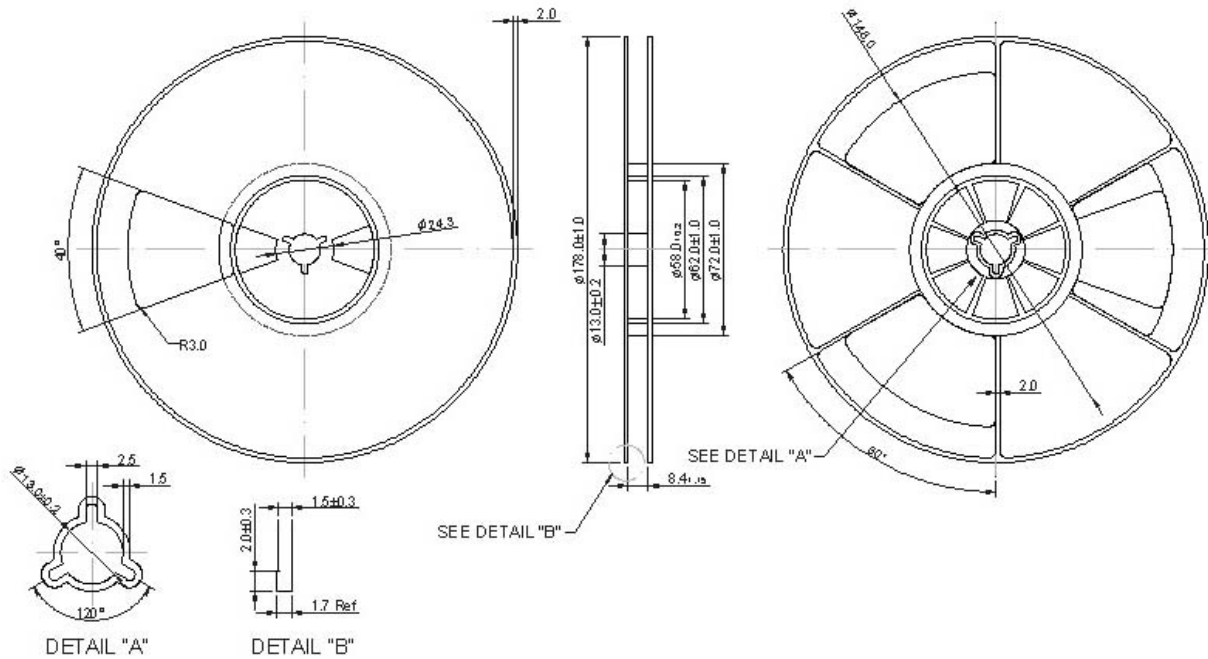
 : Land Pattern

SAW Filter 1575.420MHz
Part No: MP07746

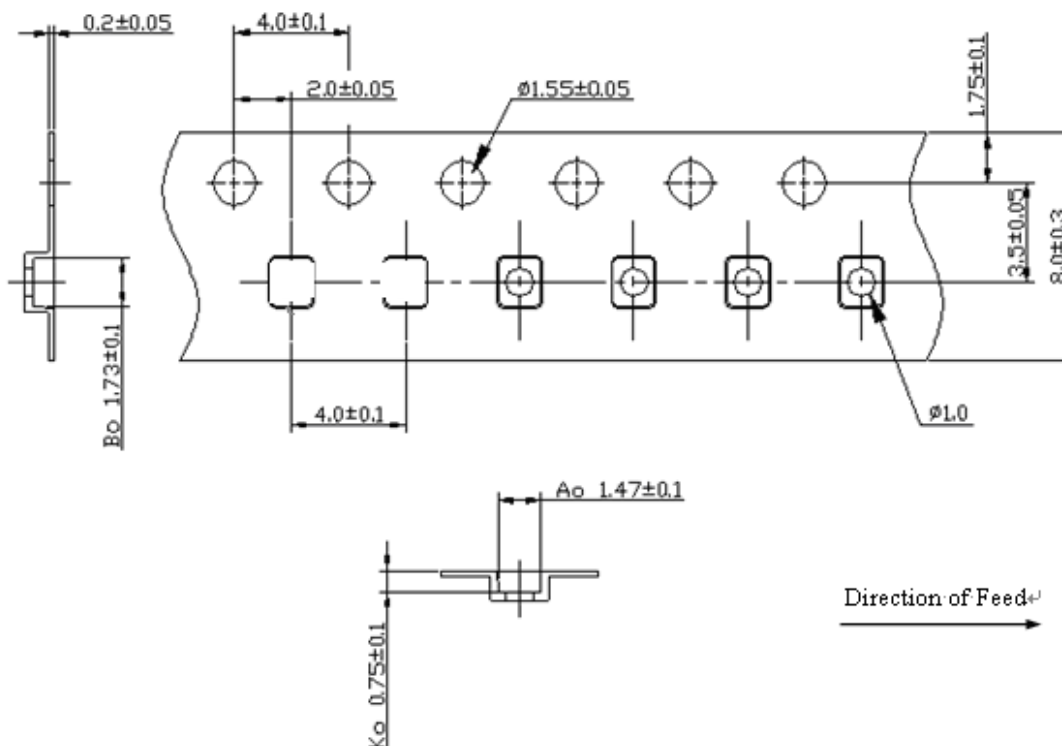
Model: TA2014A
Rev No: 1

G. PACKING:

1. Reel Dimension (Please refer to FR-75D10 for packing quantity)



2. Tape Dimension



SAW Filter 1575.420MHz
Part No: MP07746

Model: TA2014A
Rev No: 1

H. RECOMMENDED REFLOW PROFILE:

1. Preheating shall be fixed at 150 ~ 180°C for 60 ~ 90 seconds.
2. Ascending time to preheating temperature 150°C shall be 30 seconds min.
3. Heating shall be fixed at 220°C for 50 ~ 80 seconds and at 260°C +0/-5°C peak (20 ~ 40 sec).
4. Time: 2 times.

