

SAW Filter 782.0MHz
Part No: MP07854

Model: TA1813A
Rev No: 1

A. MAXIMUM RATING:

Electrostatic Sensitive Device (ESD)

1. Input Power Level: 15dBm
2. DC Voltage: 3V
3. Operating Temperature: -30°C to +85°C
4. Storage Temperature: -40°C to +85°C

B. ELECTRICAL CHARACTERISTICS:

1. Terminating source impedance: $Z_S = 50\Omega$
2. Terminating load impedance: $Z_L = 50\Omega$

Parameters Description	Unit	Min.	Typ.	Max.
Center Frequency (Fc)	MHz	-	782.0	-
Insertion Loss within 770.0 ~ 780.0MHz	dB	-	1.5	2.2
Amplitude Ripple within 770.0 ~ 780.0MHz	dB p-p	-	0.5	1.0
VSWR within 770.0 ~ 780.0MHz	-	-	1.7	2.0
Attenuation:				
DC ~ 716.0MHz	dB	45	59	-
716.0 ~ 728.0MHz	dB	45	57	-
728.0 ~ 746.0MHz	dB	45	57	-
746.0 ~ 756.0MHz	dB	45	56	-
808.0 ~ 818.0MHz	dB	25	31	-
869.0 ~ 894.0MHz	dB	40	55	-
1554.0 ~ 1565.0MHz	dB	35	48	-
1565.0 ~ 1585.0MHz	dB	35	48	-
1597.0 ~ 1607.0MHz	dB	35	47	-
1805.0 ~ 1880.0MHz	dB	30	45	-
1930.0 ~ 1990.0MHz	dB	30	44	-
2110.0 ~ 2170.0MHz	dB	30	43	-
2331.0 ~ 2361.0MHz	dB	29	42	-
2400.0 ~ 2484.0MHz	dB	27	42	-
2484.0 ~ 3000.0MH	dB	25	39	-
3000.0 ~ 4000.0MHz	dB	21	39	-
4000.0 ~ 5000.0MHz	dB	15	36	-
5000.0 ~ 6000.0MHz	dB	15	36	-

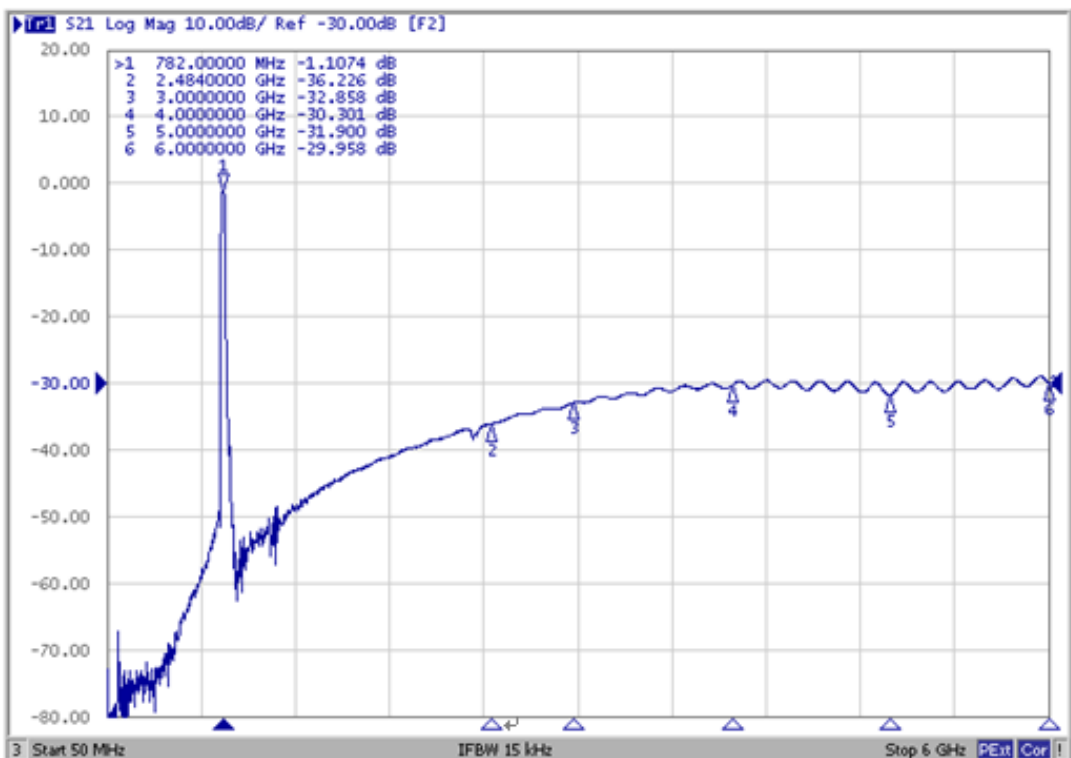
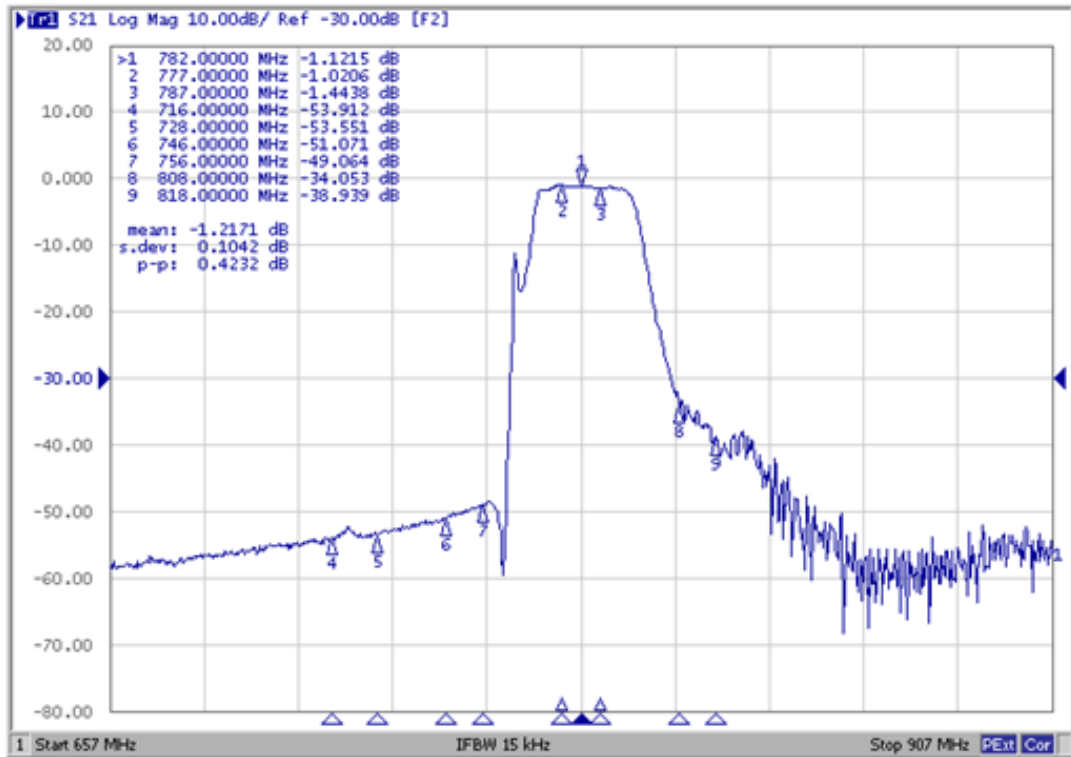
Note: No Matching Network

SAW Filter 782.0MHz
Part No: MP07854

Model: TA1813A
Rev No: 1

C. FREQUENCY CHARACTERISTICS:

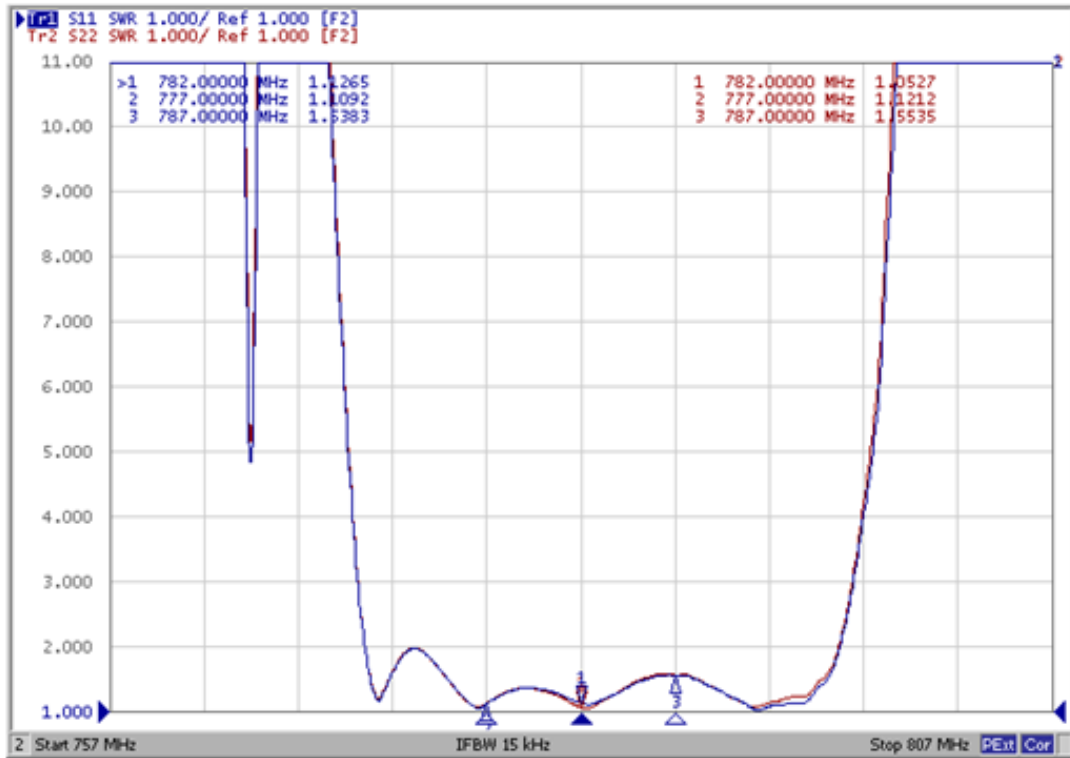
1. Frequency Response



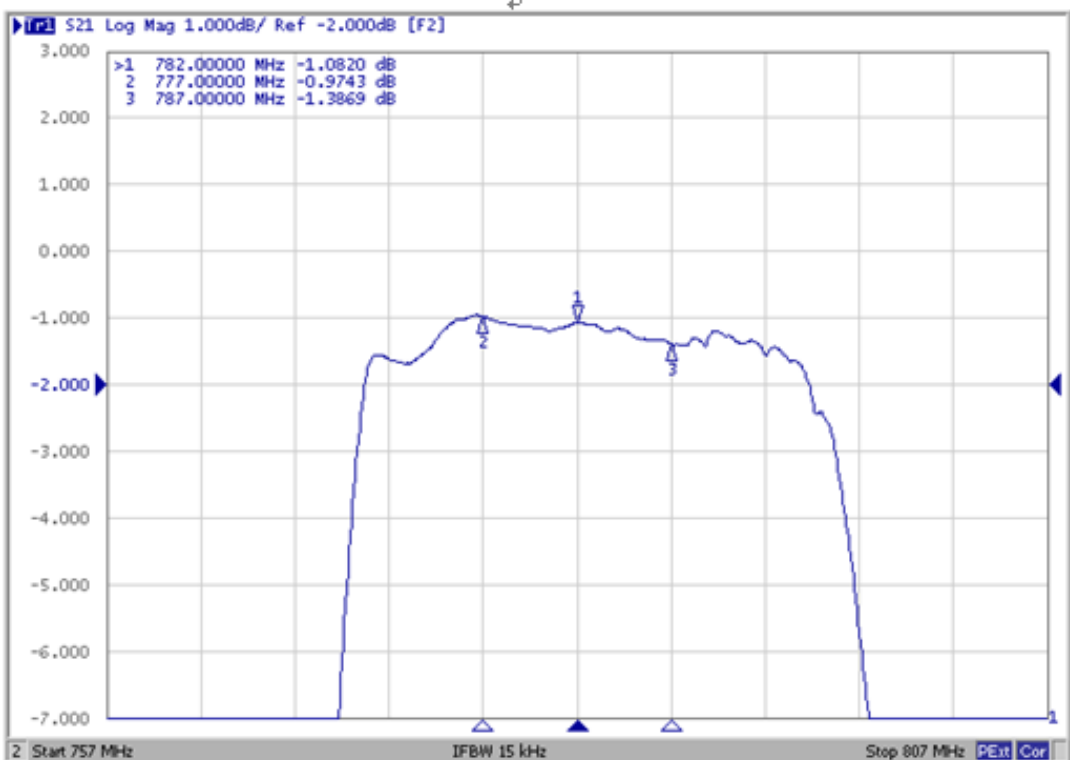
SAW Filter 782.0MHz
Part No: MP07854

Model: TA1813A
Rev No: 1

2. VSWR



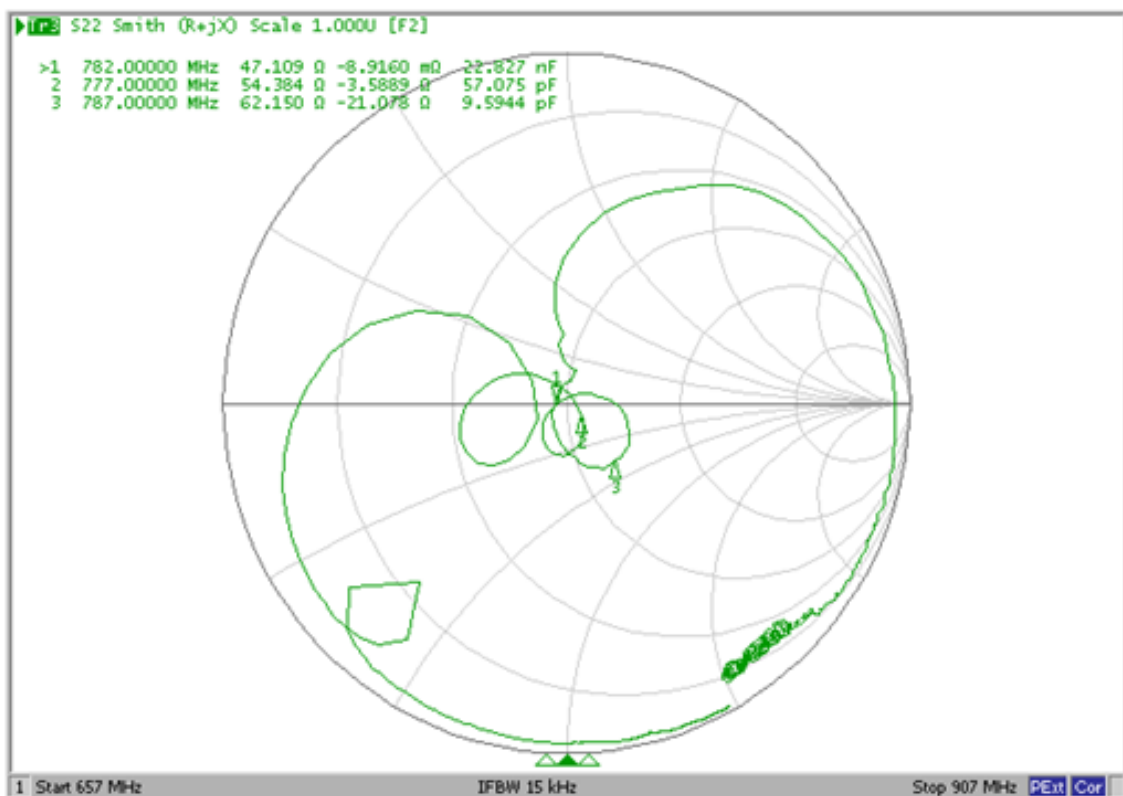
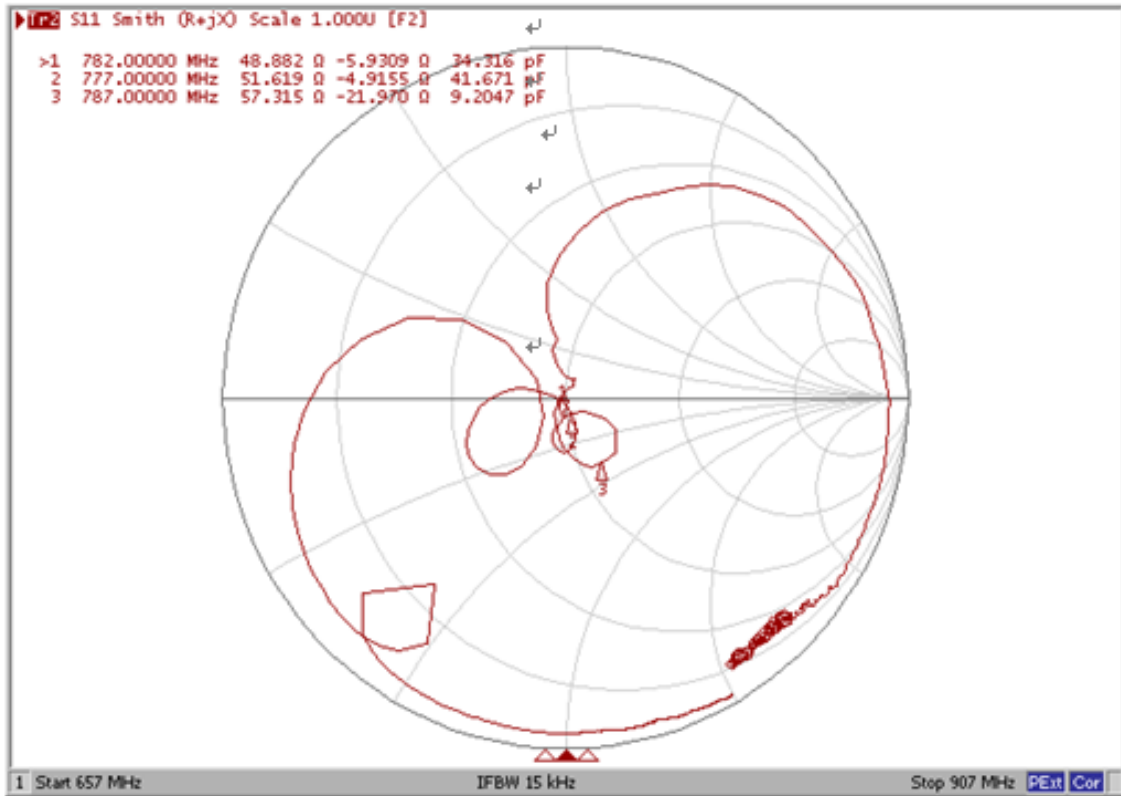
3. Ripple



SAW Filter 782.0MHz
Part No: MP07854

Model: TA1813A
Rev No: 1

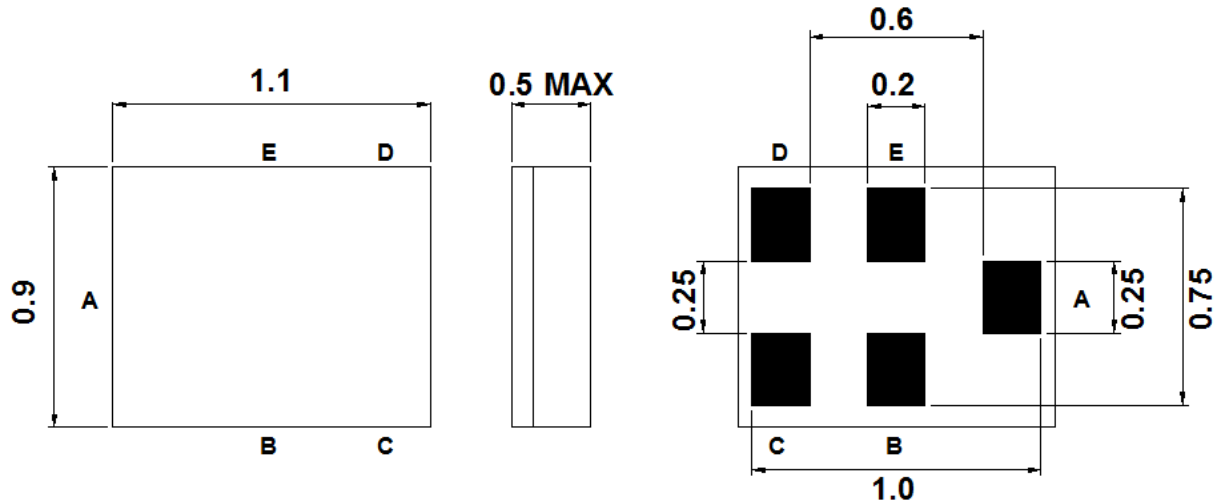
4. Smith Chart



SAW Filter 782.0MHz
Part No: MP07854

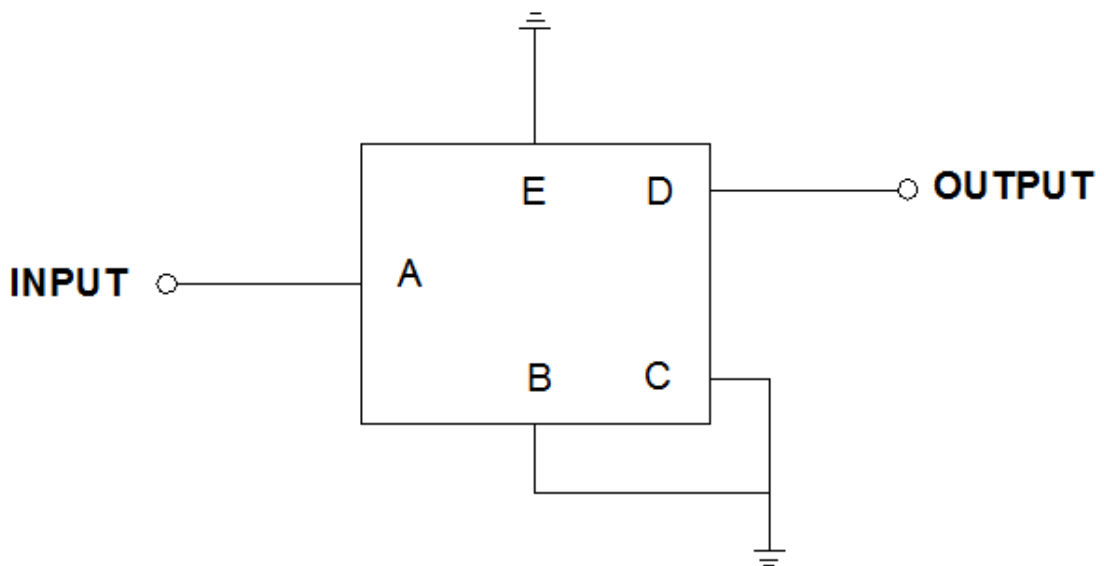
Model: TA1813A
Rev No: 1

D. OUTLINE DRAWING:



B, C, E: Ground
A: Input
D: Output

E. MEASUREMENT CIRCUIT:



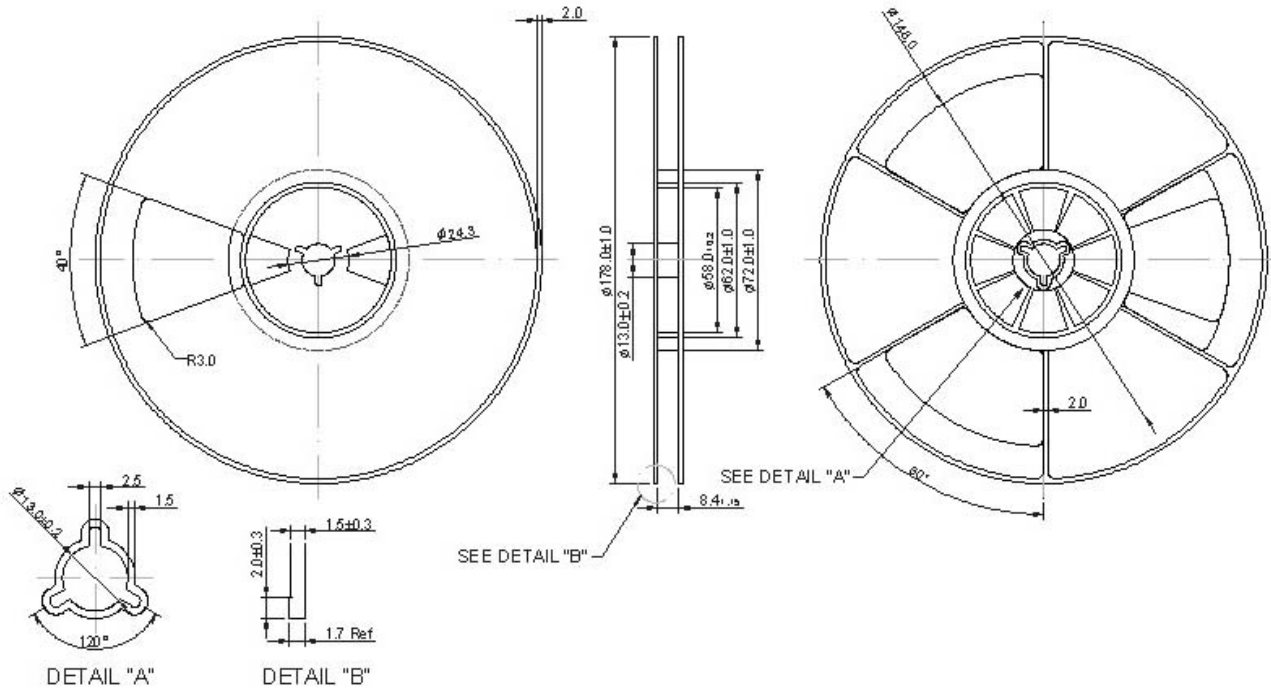
Source & Load Impedance: 50Ω

SAW Filter 782.0MHz
Part No: MP07854

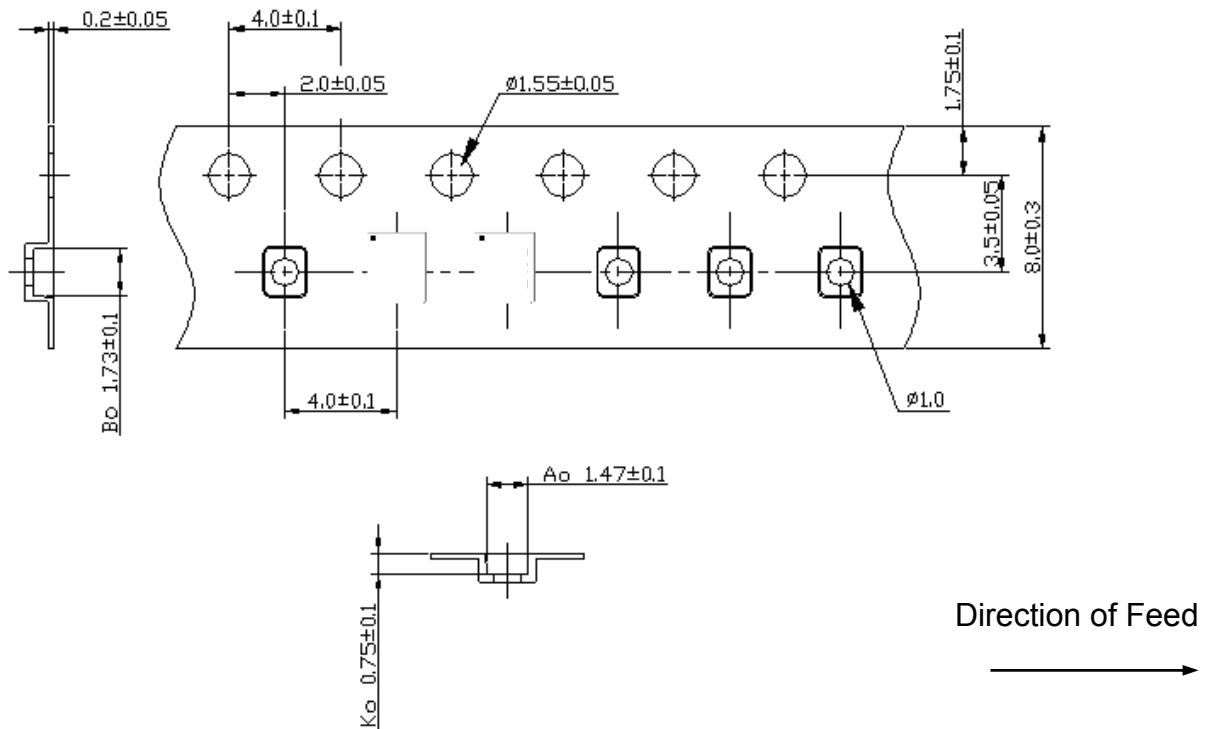
Model: TA1813A
Rev No: 1

F. PACKING:

1. Reel Dimension (Please refer to FR-75D10 for packing quantity)



2. Tape Dimension



SAW Filter 782.0MHz
Part No: MP07854

Model: TA1813A
Rev No: 1

G. RECOMMENDED REFLOW PROFILE:

