

SAW Filter 1950.0MHz
Part No: MP07827

Model: TA1815A
Rev No: 1

A. MAXIMUM RATING:

Electrostatic Sensitive Device (ESD)

1. Input Power Level: 10dBm
2. DC Voltage: 3V
3. Operating Temperature: -30°C to +85°C
4. Storage Temperature: -40°C to +85°C

B. ELECTRICAL CHARACTERISTICS:

1. Terminating source impedance: $Z_S = 50\Omega$
2. Terminating load impedance: $Z_L = 50\Omega$

Parameters Description	Unit	Min.	Typ.	Max.
Center Frequency (Fc)	MHz	-	1950	-
Insertion Loss within 1920.0 ~ 1980.0MHz	dB	-	1.8	2.3
Amplitude Ripple within 1920.0 ~ 1980.0MHz	dB p-p	-	0.8	1.8
VSWR within 1920.0 ~ 1980.0MHz	-	-	1.8	2.2
Attenuation:				
DC ~ 1577.0MHz	dB	30	34	-
1577.0 ~ 1880.0MHz	dB	22	29	-
2110.0 ~ 2170.0MHz	dB	35	38	-
2500.0 ~ 3120.0MHz	dB	28	33	-
3840.0 ~ 3960.0MHz	dB	25	29	-
5760.0 ~ 5940.0MHz	dB	15	22	-

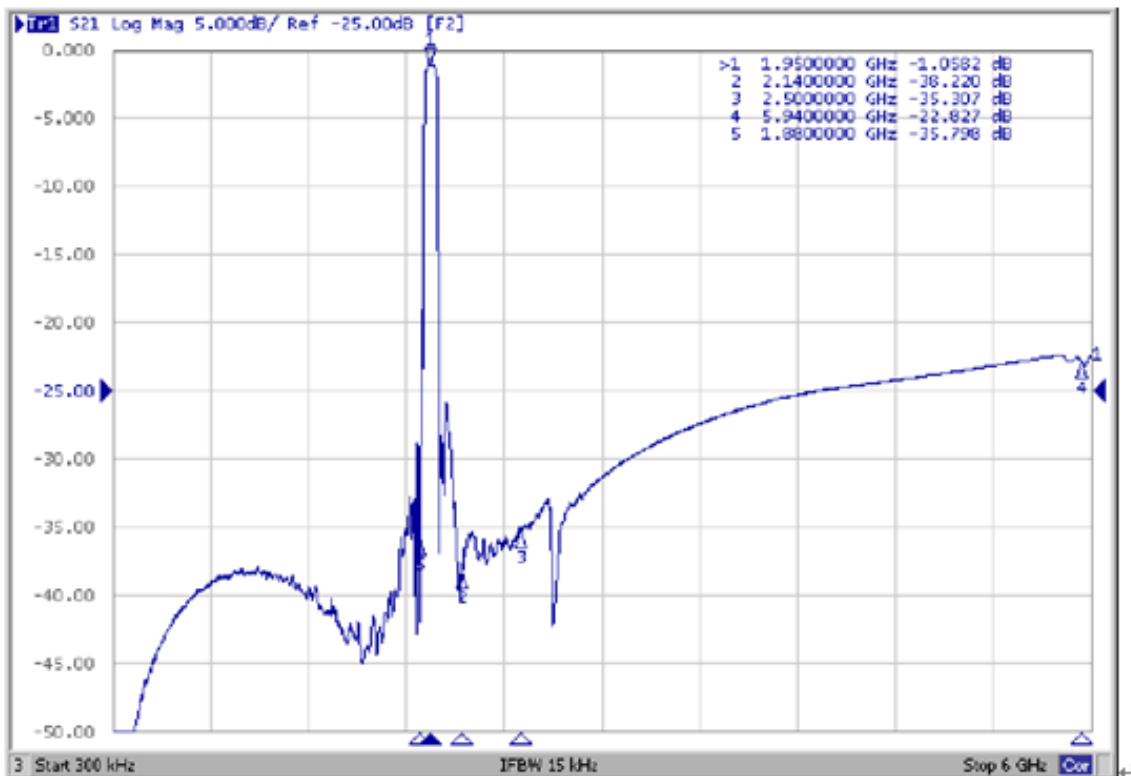
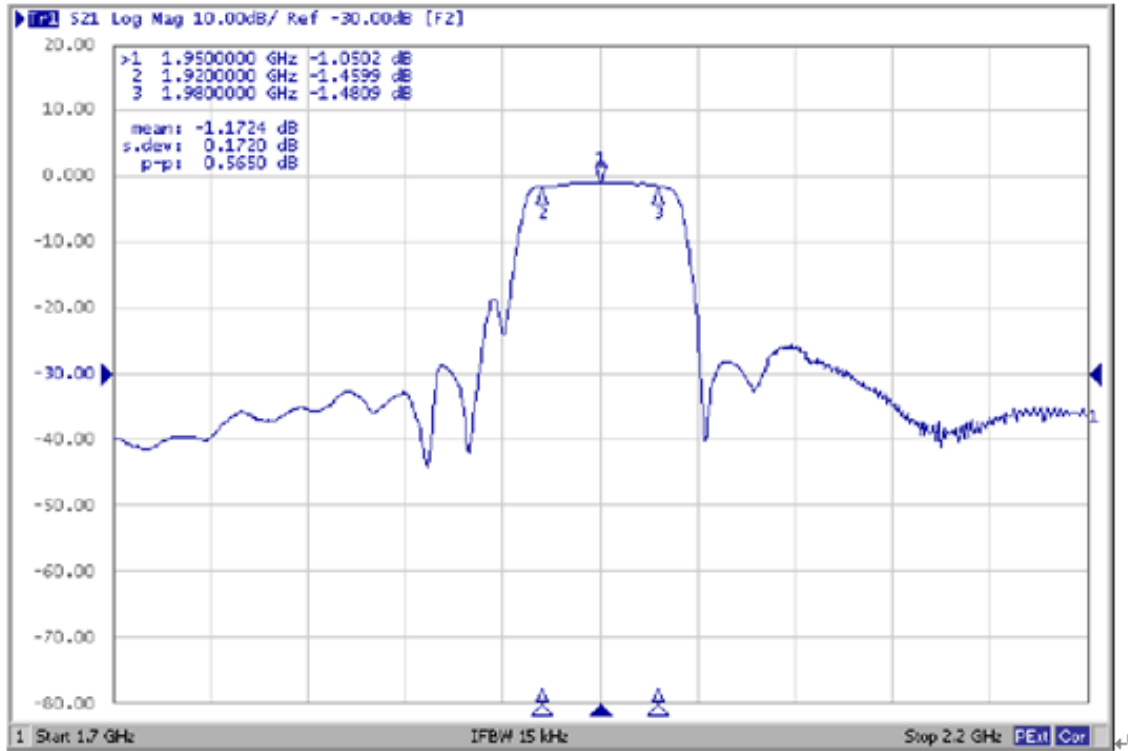
Note: No Matching Network.

SAW Filter 1950.0MHz
Part No: MP07827

Model: TA1815A
Rev No: 1

C. FREQUENCY CHARACTERISTICS:

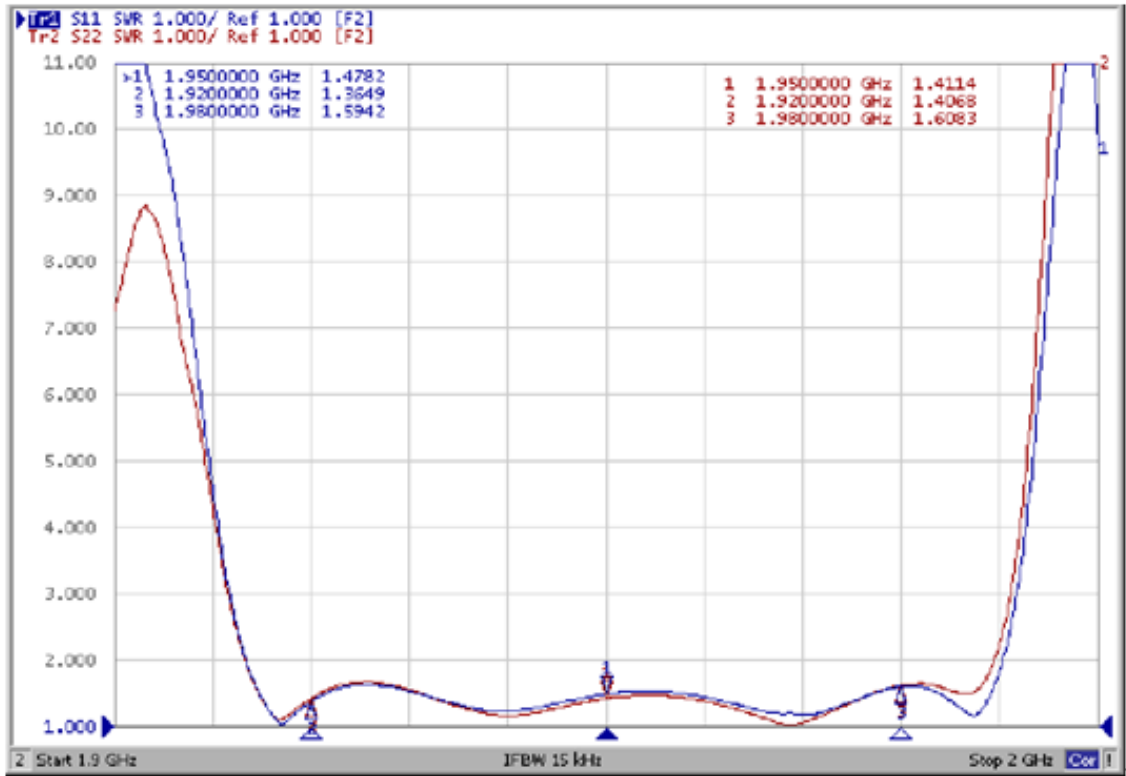
1. Frequency Response



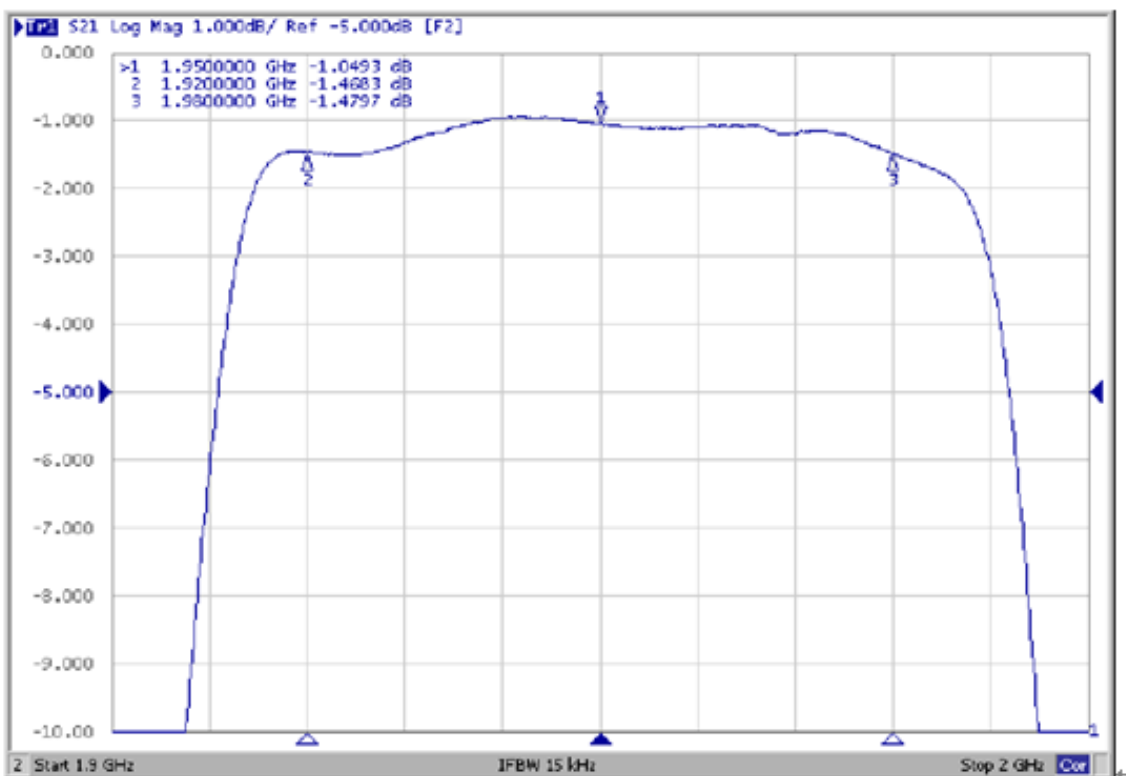
SAW Filter 1950.0MHz
Part No: MP07827

Model: TA1815A
Rev No: 1

2. VSWR



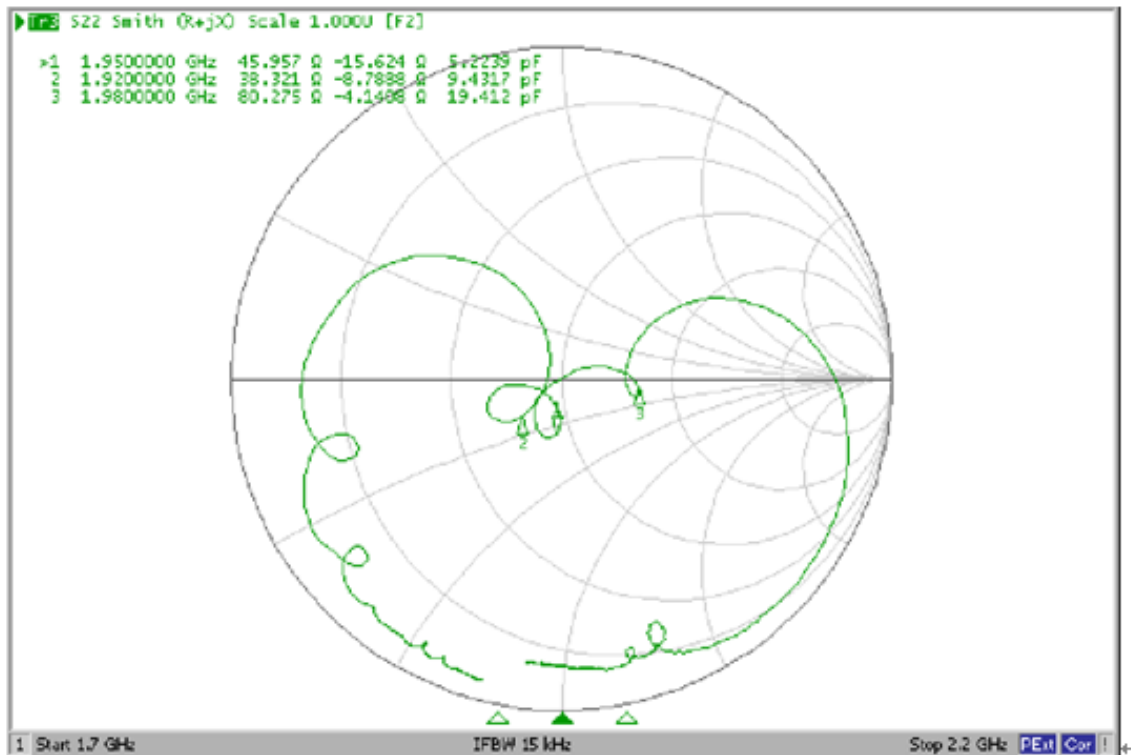
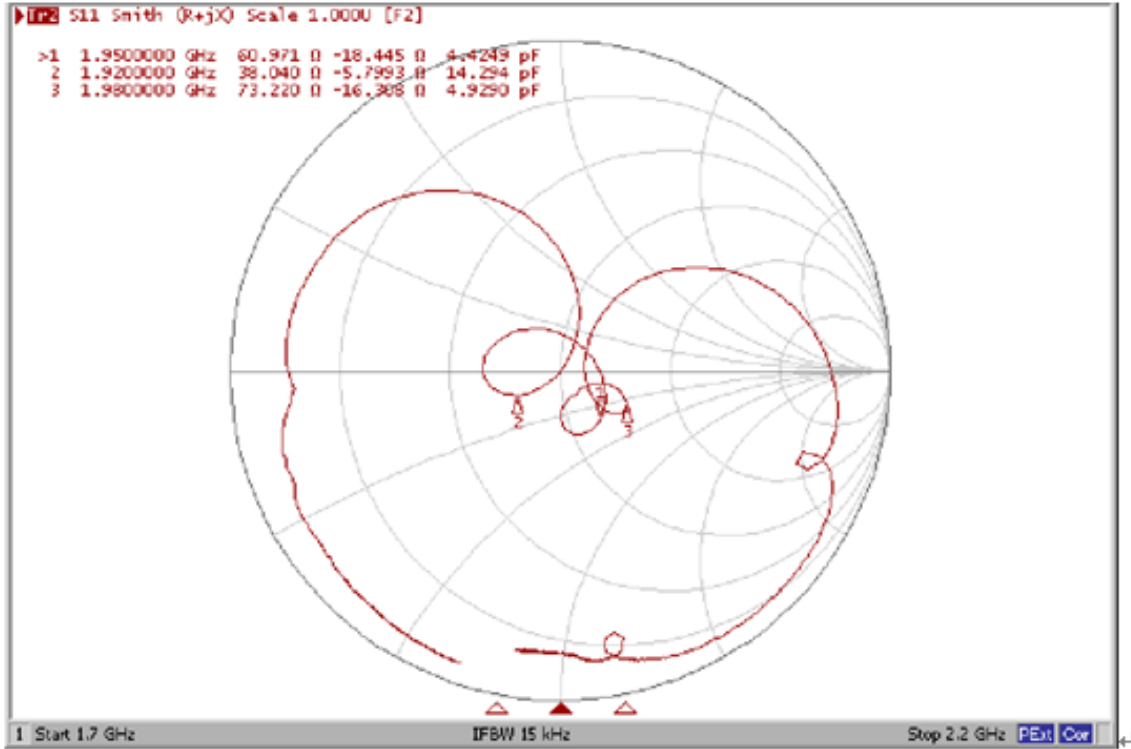
3. Ripple



SAW Filter 1950.0MHz
Part No: MP07827

Model: TA1815A
Rev No: 1

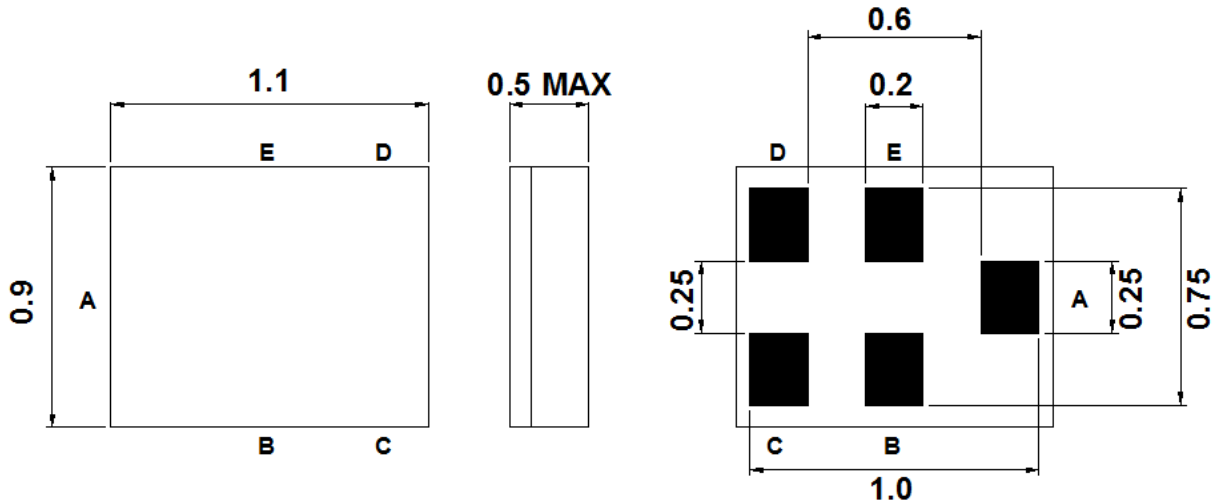
4. Smith Chart



SAW Filter 1950.0MHz
Part No: MP07827

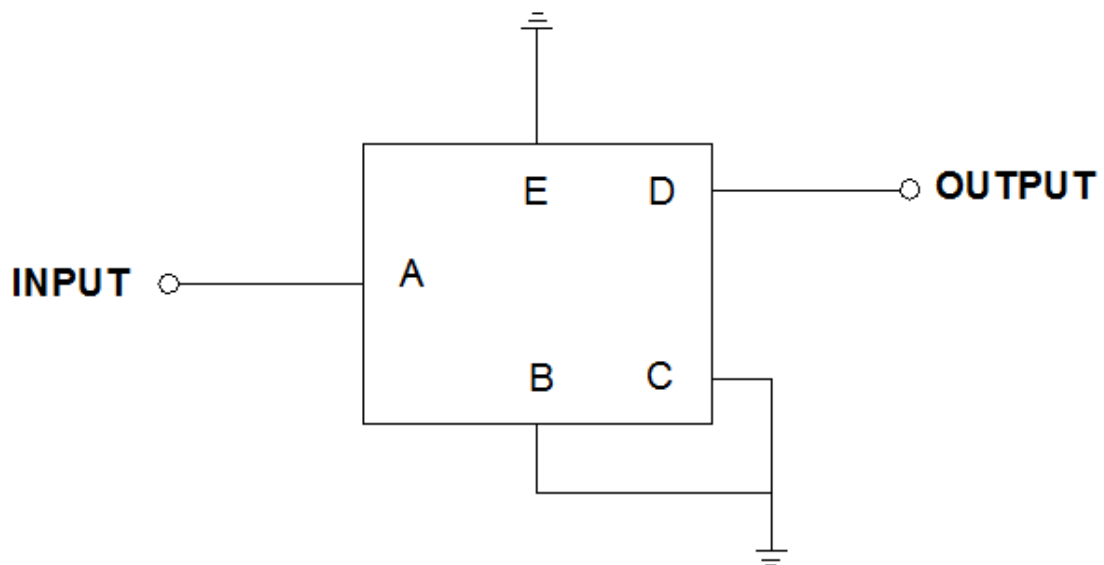
Model: TA1815A
Rev No: 1

D. OUTLINE DRAWING:



B, C, E: Ground
A: Input
D: Output

E. MEASUREMENT CIRCUIT:



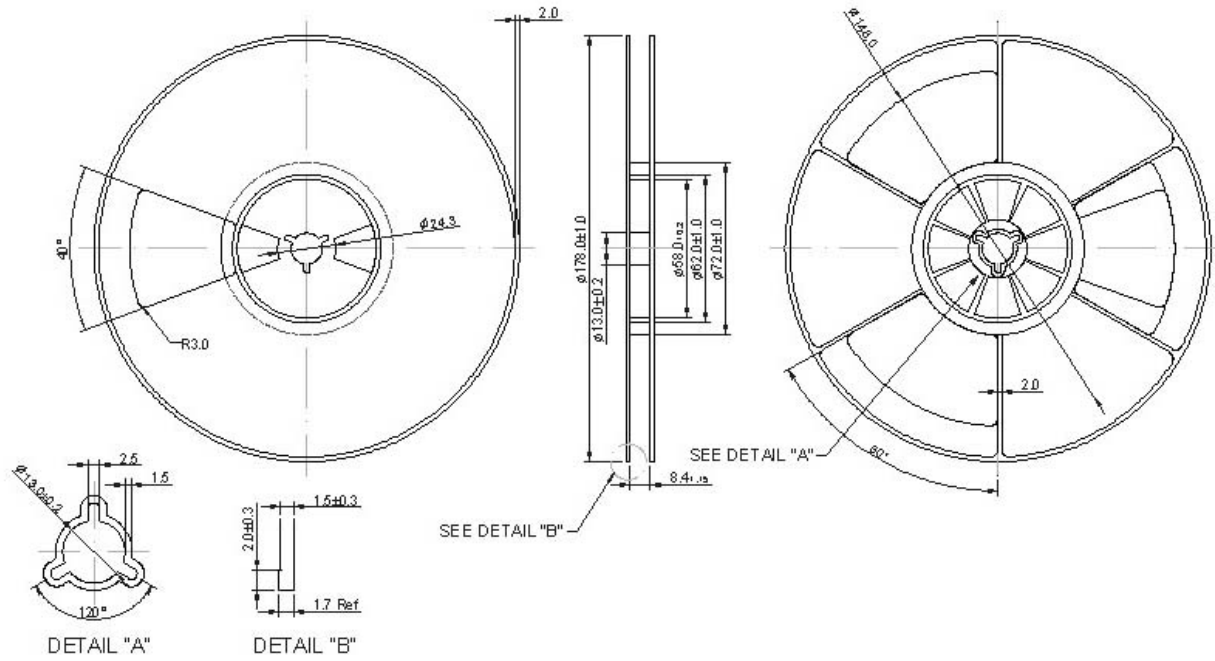
Source & Load Impedance: 50Ω

SAW Filter 1950.0MHz
Part No: MP07827

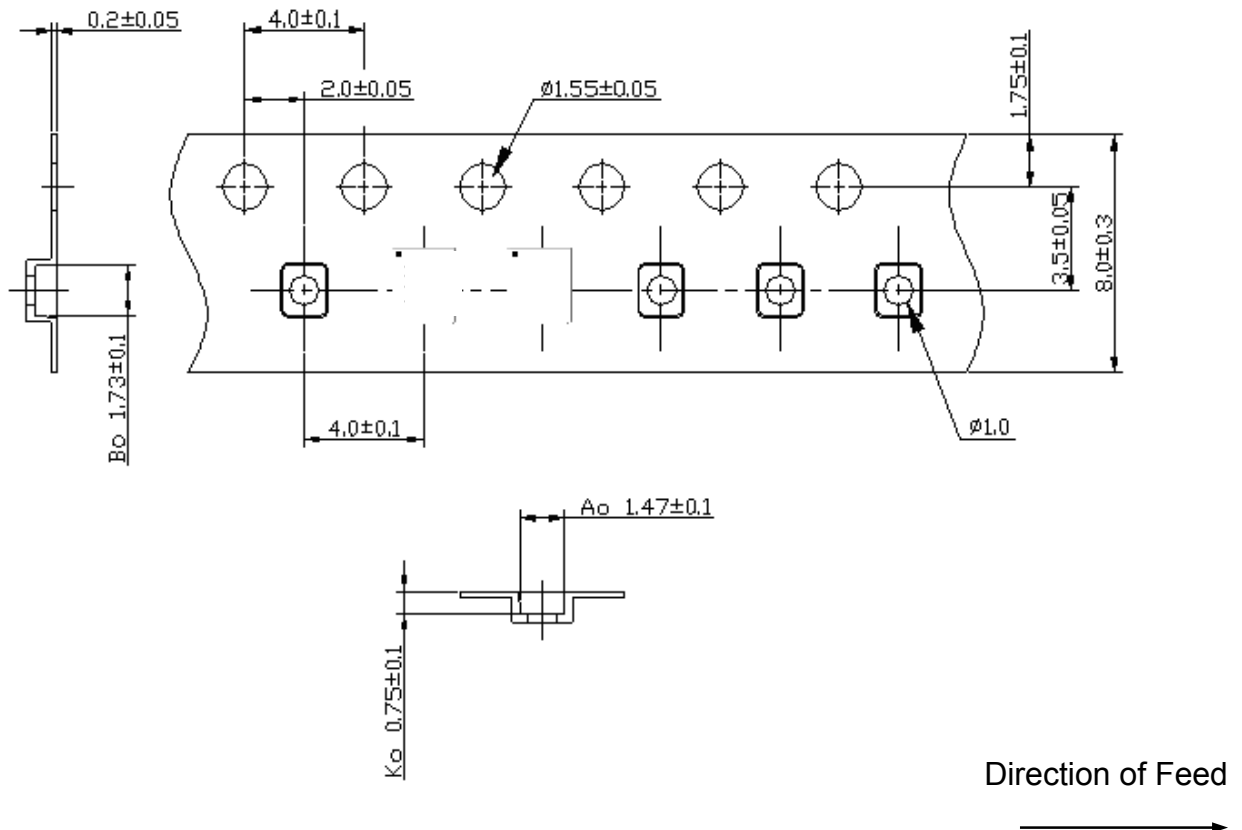
Model: TA1815A
Rev No: 1

F. PACKING:

1. Reel Dimension (Please refer to FR-75D10 for packing quantity)



2. Tape Dimension



SAW Filter 1950.0MHz
Part No: MP07827

Model: TA1815A
Rev No: 1

G. RECOMMENDED REFLOW PROFILE:

