

SAW Filter 875.0MHz

Model: TA0908B

Part No: MP07999 (AEC-Q200 Compliant)

Rev No: 2

A. MAXIMUM RATING:

Electrostatic Sensitive Device (ESD)

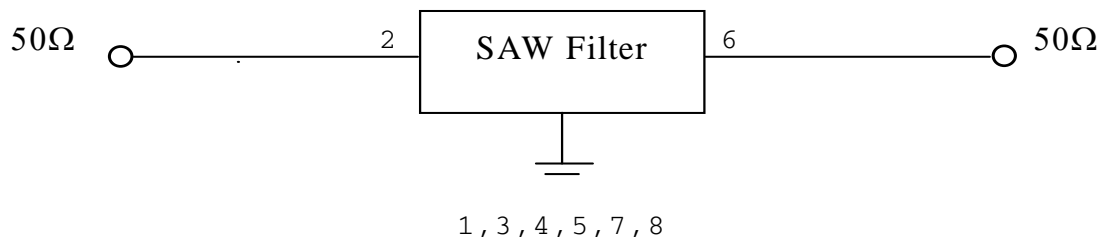
1. Input Power Level: 10dBm
2. DC Voltage: 3V
3. Operating Temperature: -40°C to +85°C
4. Storage Temperature: -40°C to +125°C

B. ELECTRICAL CHARACTERISTICS:

Item	Unit	Min.	Typ.	Max.
Center Frequency Fc	MHz	-	875	-
Insertion loss (870 ~ 880MHz) IL	dB	-	2.8	4.2
Amplitude Ripple (870 ~ 880MHz)	dB	-	0.4	2
VSWR (870 ~ 880MHz)	-	-	1.5	2.3
Attenuation (Reference level from 0dB)				
0 ~ 840MHz	dB	35	55	-
910 ~ 1300MHz	dB	35	53	-

C. MEASUREMENT CIRCUIT:

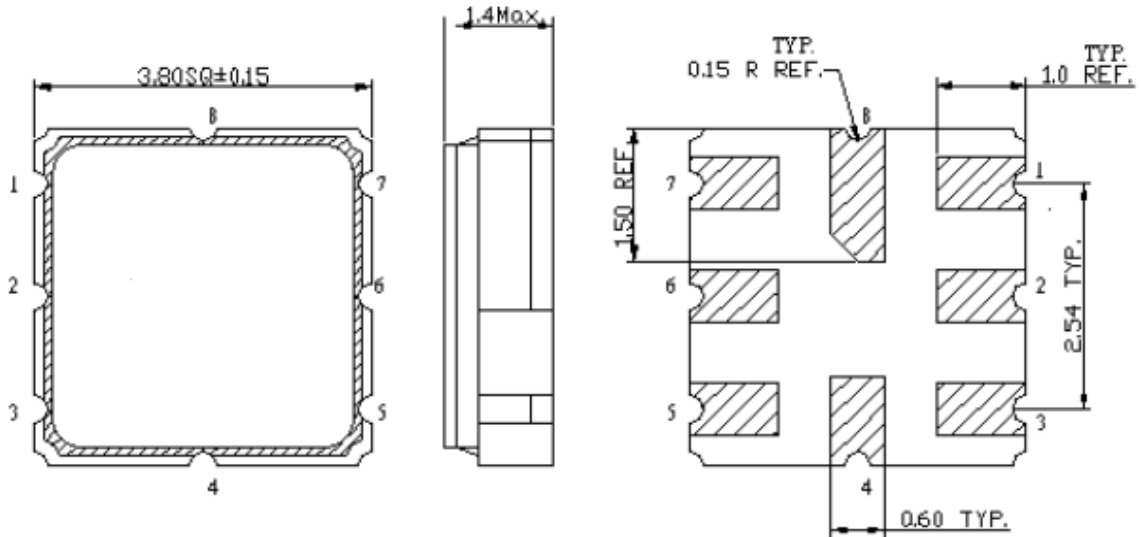
HP Network analyzer



SAW Filter 875.0MHz
Part No: MP07999 (AEC-Q200 Compliant)

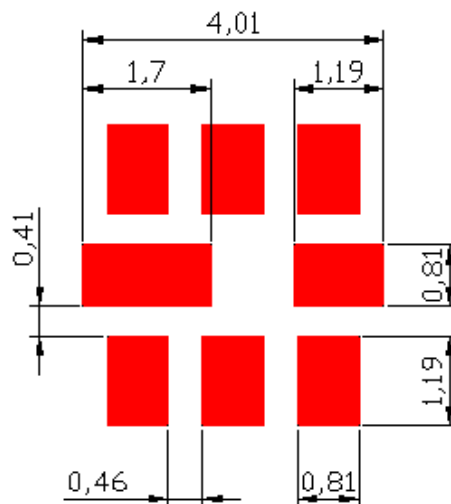
Model: TA0908B
Rev No: 2

D. OUTLINE DRAWING:



2: Input
 6: Output
 1, 3, 4, 5, 7, 8: Ground
 Unit: mm

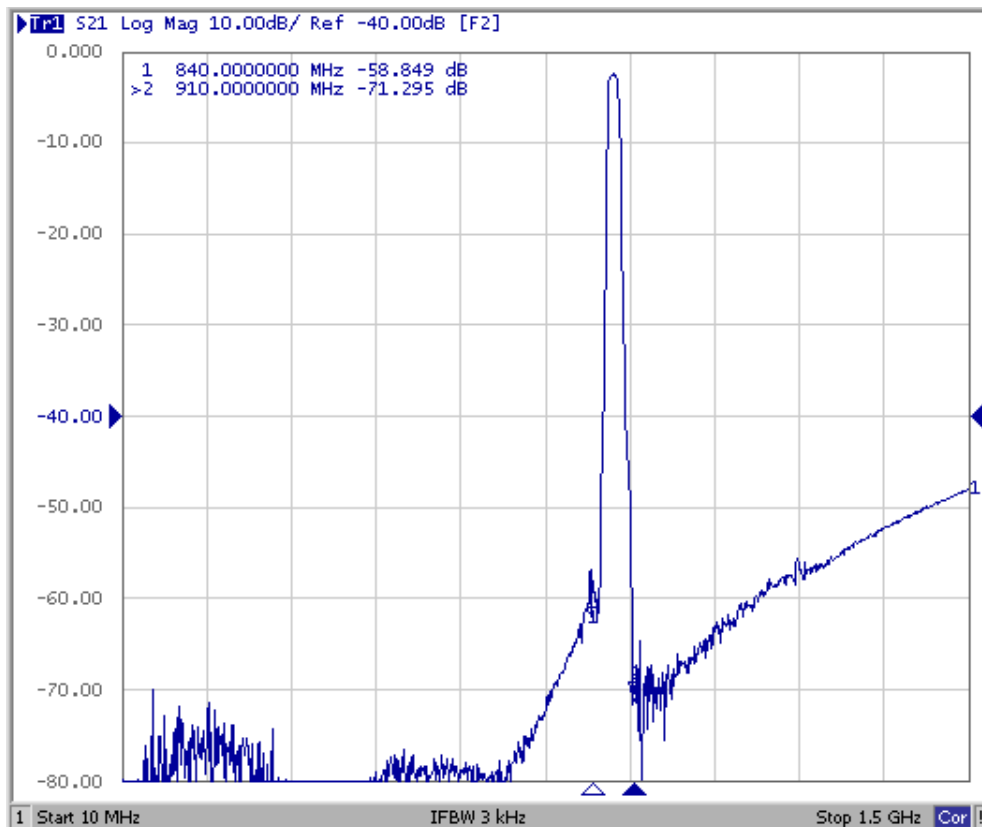
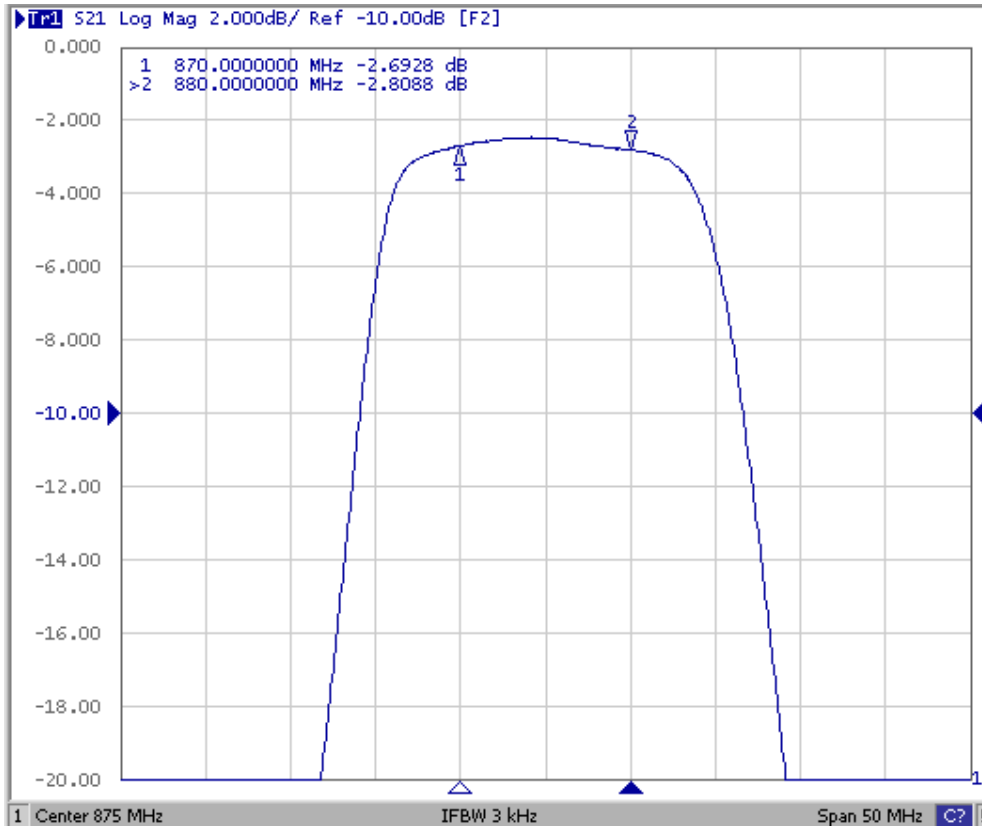
E. PCB FOOTPRINT:



SAW Filter 875.0MHz
Part No: MP07999 (AEC-Q200 Compliant)

Model: TA0908B
Rev No: 2

F. FREQUENCY CHARACTERISTICS:

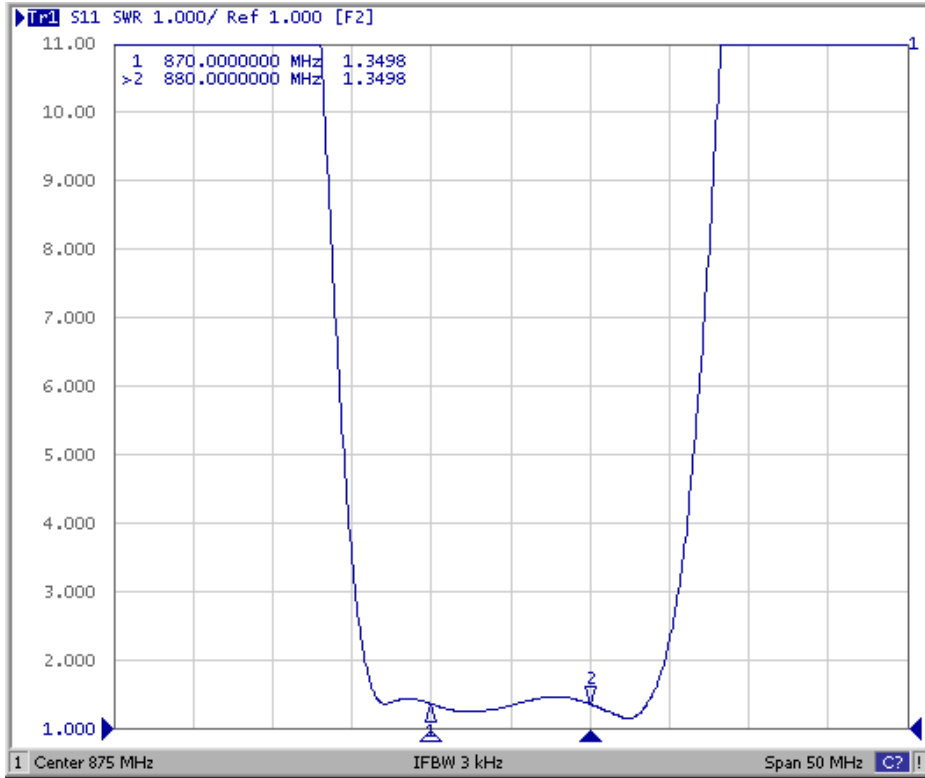


SAW Filter 875.0MHz
Part No: MP07999 (AEC-Q200 Compliant)

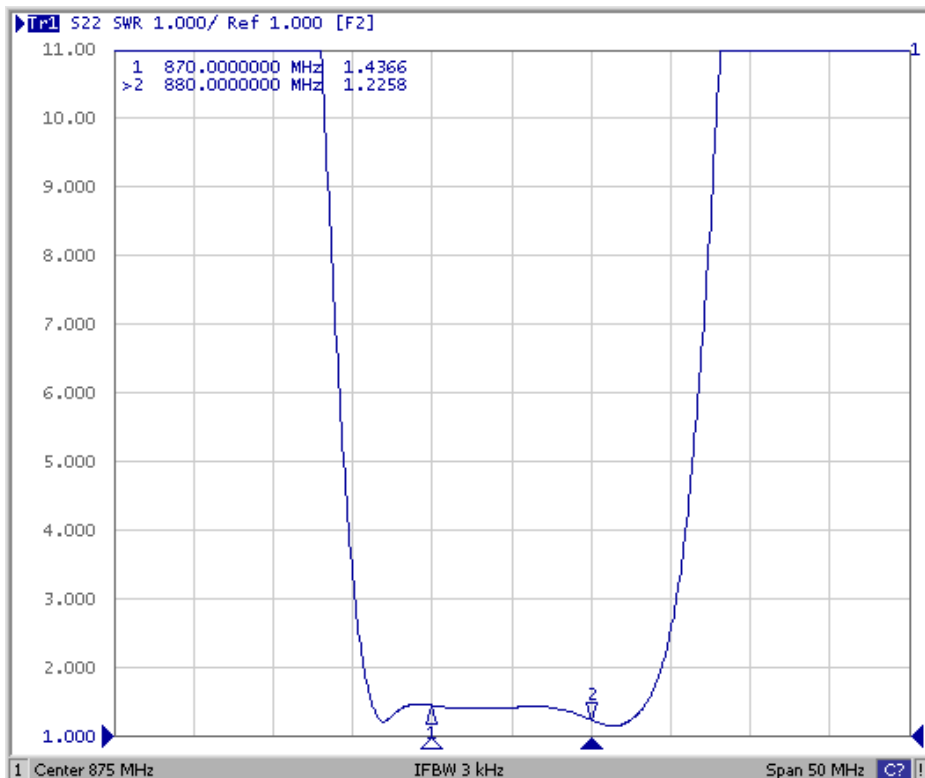
Model: TA0908B
Rev No: 2

Reflection Functions

S11



S22

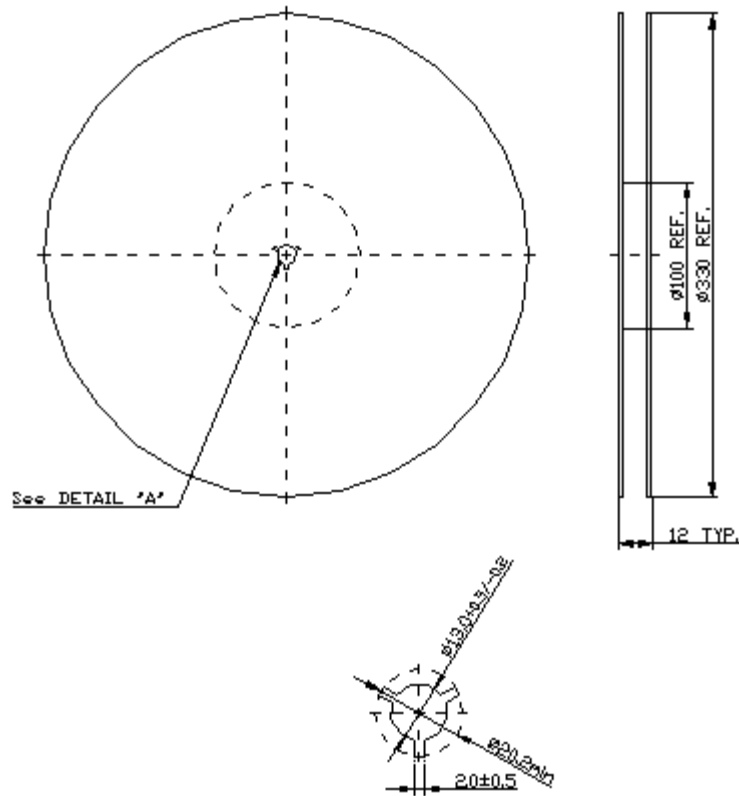


SAW Filter 875.0MHz
Part No: MP07999 (AEC-Q200 Compliant)

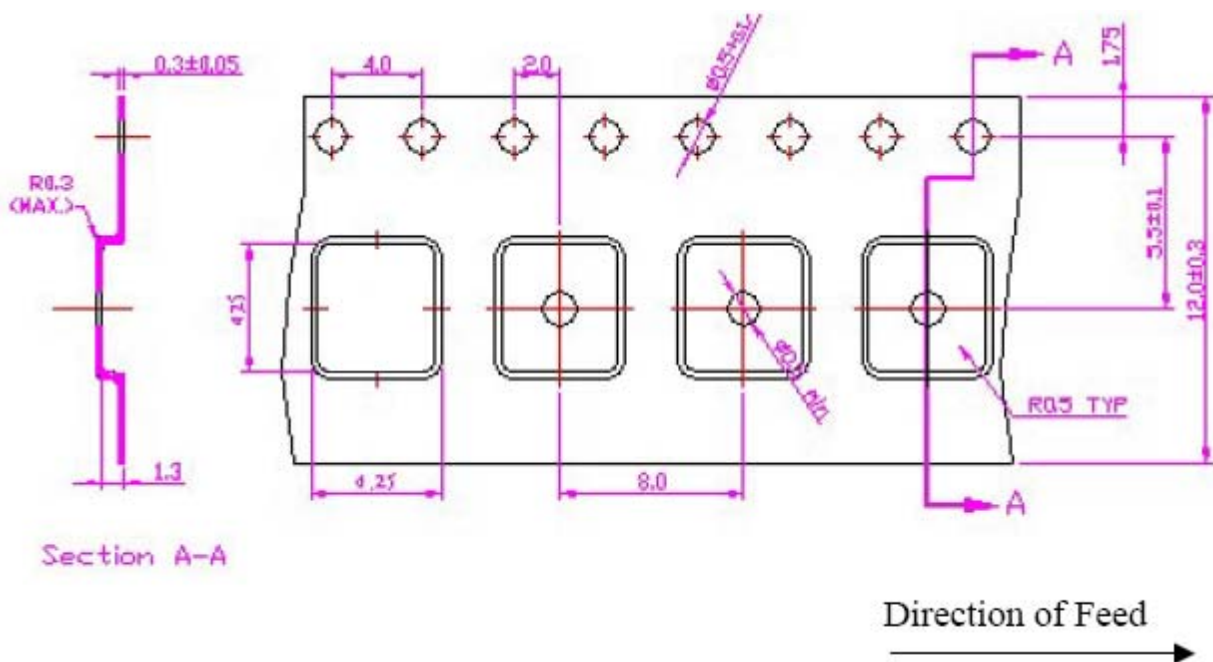
Model: TA0908B
Rev No: 2

G. PACKING:

1. Reel Dimension



2. Tape Dimension



SAW Filter 875.0MHz
Part No: MP07999 (AEC-Q200 Compliant)

Model: TA0908B
Rev No: 2

H. RECOMMENDED REFLOW PROFILE:

1. Preheating shall be fixed at 150 ~ 180°C for 60 ~ 90 seconds.
2. Ascending time to preheating temperature 150°C shall be 30 seconds min.
3. Heating shall be fixed at 220°C for 50 ~ 80 seconds and at 260°C +0/-5°C peak (20 ~ 40 sec).
4. Time: 2 times.

