

**SAW Filter 400.0MHz**

**Model: TA1595B**

**Part No: MP07996 (AEC-Q200 compliant)**

**Rev No: 2**

**A. MAXIMUM RATING:**

Electrostatic Sensitive Device (ESD)

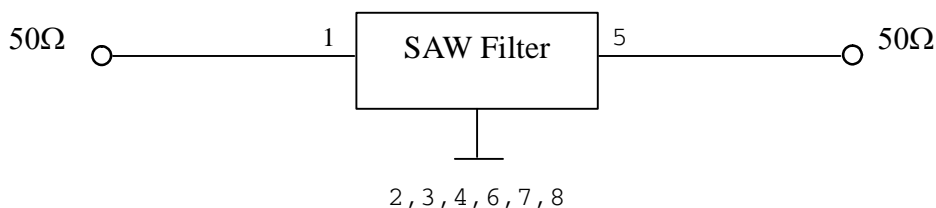
1. Input Power Level: 15dBm
2. DC Voltage: 3V
3. Operating Temperature: -40°C to +85°C
4. Storage Temperature: -40°C to +125°C

**B. ELECTRICAL CHARACTERISTICS:**

Item	Unit	Min.	Typ.	Max.
Center Frequency Fc	MHz	-	400	-
Insertion loss (398 ~ 402MHz) IL	dB	-	2.0	4.5
Amplitude ripple (398 ~ 402MHz)	dB	-	0.5	2.0
Return loss (399.5 ~ 400.5MHz)	dB	9	12	-
Attenuation (Reference level from 0dB)				
10 ~ 370MHz	dB	45	55	-
430 ~ 1000MHz	dB	40	44	-
Temperature coefficient of frequency	ppm/k	-	-36	-

**C. MEASUREMENT CIRCUIT:**

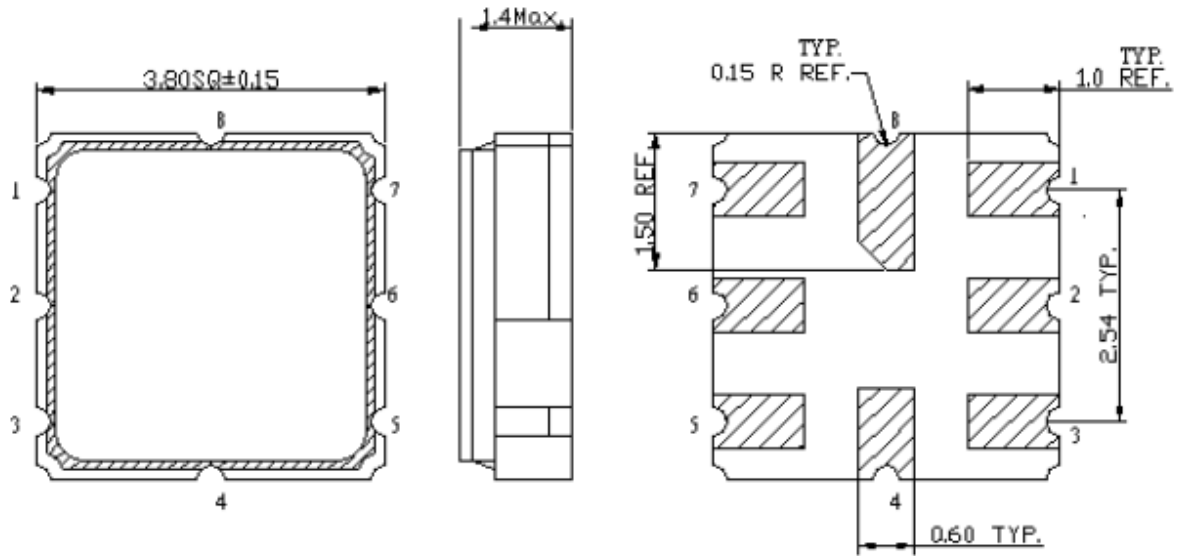
HP Network analyzer



**SAW Filter 400.0MHz**  
**Part No: MP07996 (AEC-Q200 compliant)**

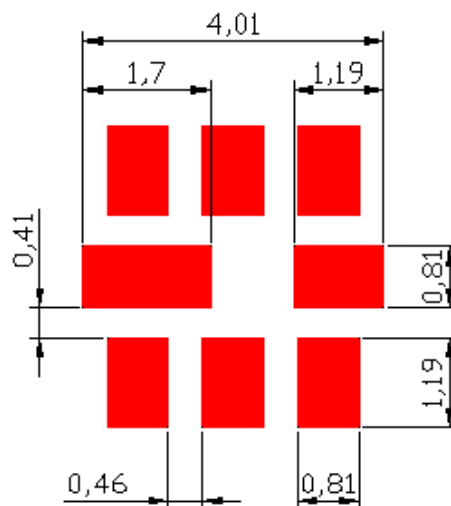
**Model: TA1595B**  
**Rev No: 2**

**D. OUTLINE DRAWING:**



- 1: Input
  - 5: Output
  - 2, 3, 4, 6, 7, 8: Ground
- Unit: mm

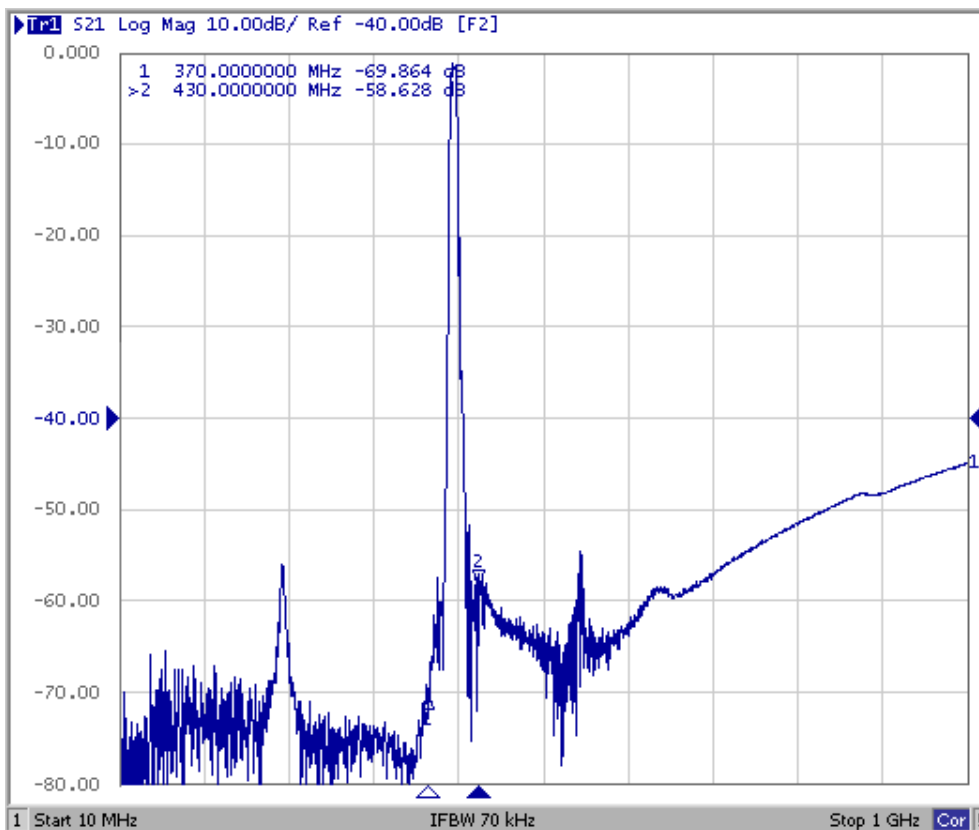
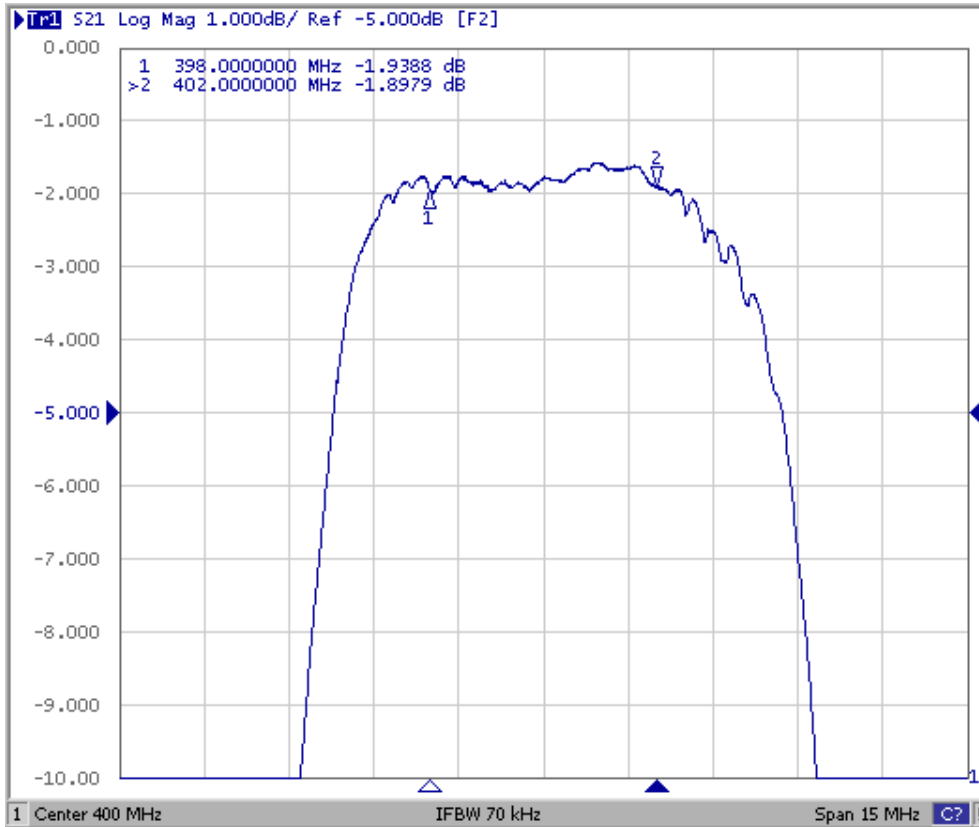
**E. PCB FOOTPRINT:**



**SAW Filter 400.0MHz**  
**Part No: MP07996 (AEC-Q200 compliant)**

**Model: TA1595B**  
**Rev No: 2**

**F. FREQUENCY CHARACTERISTICS:**

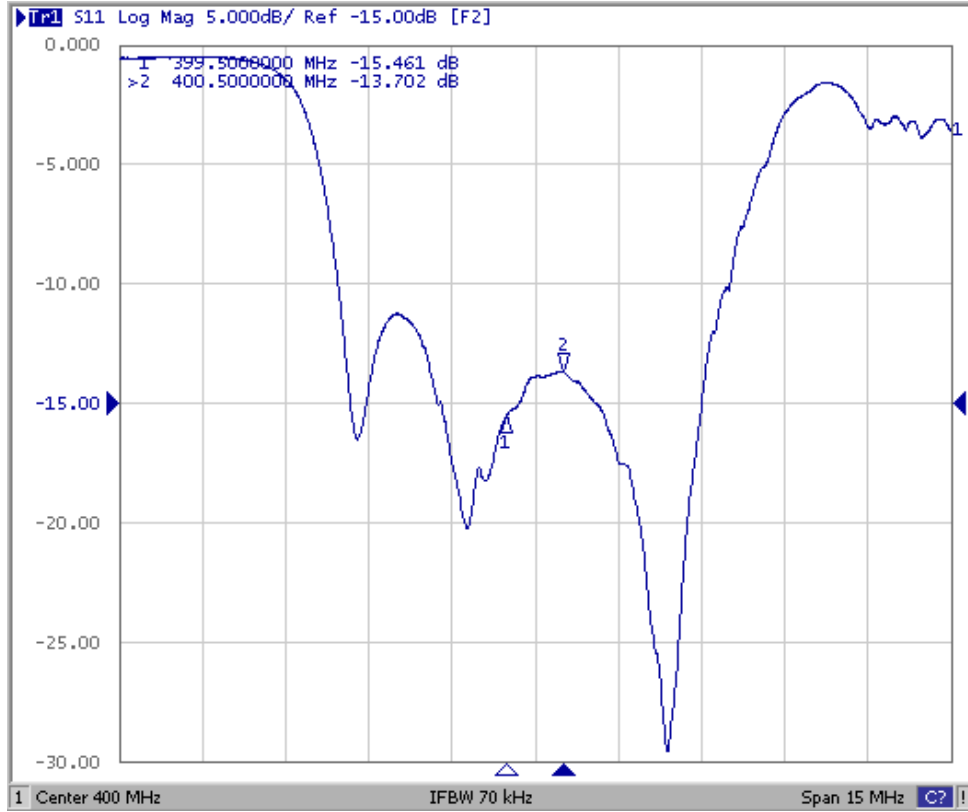


**SAW Filter 400.0MHz**  
**Part No: MP07996 (AEC-Q200 compliant)**

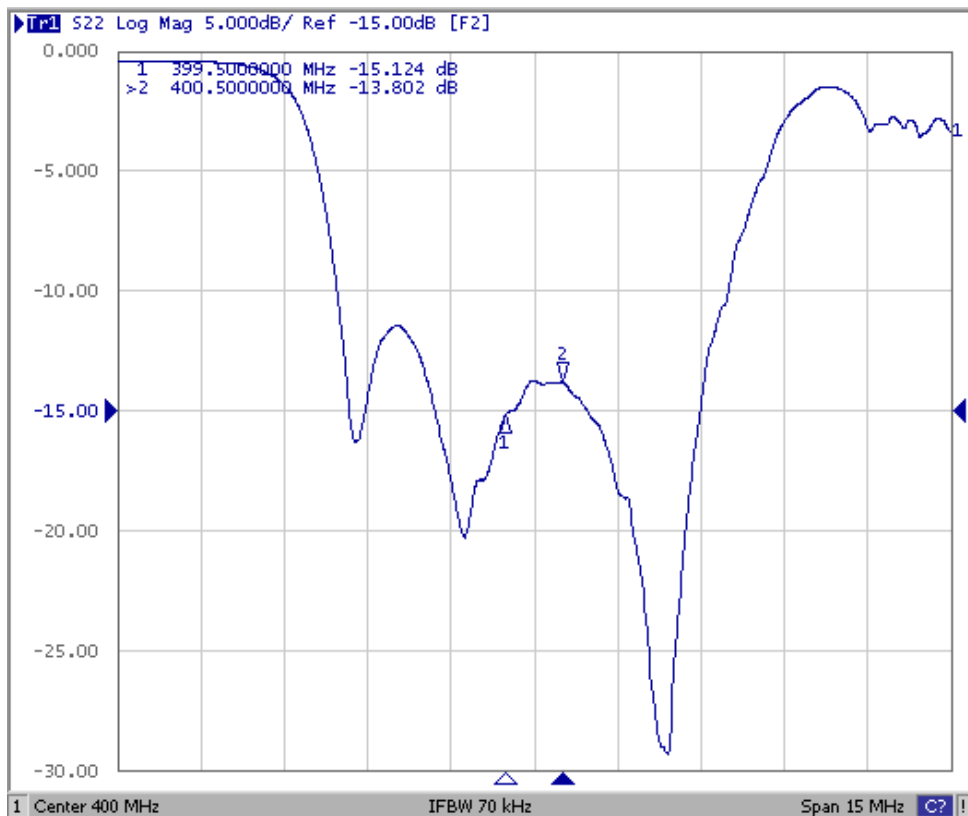
**Model: TA1595B**  
**Rev No: 2**

Reflection Functions

S11



S22

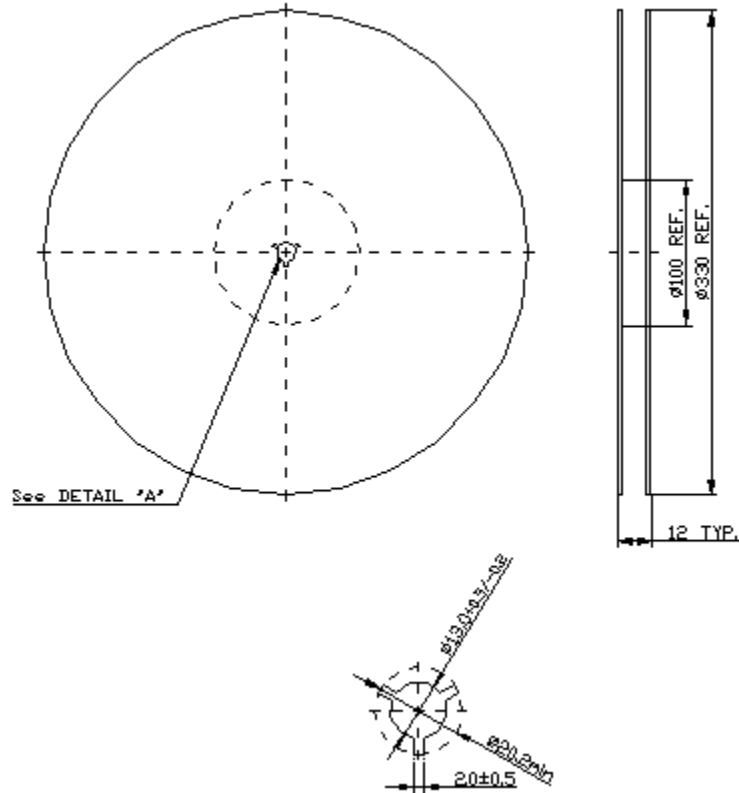


**SAW Filter 400.0MHz**  
**Part No: MP07996 (AEC-Q200 compliant)**

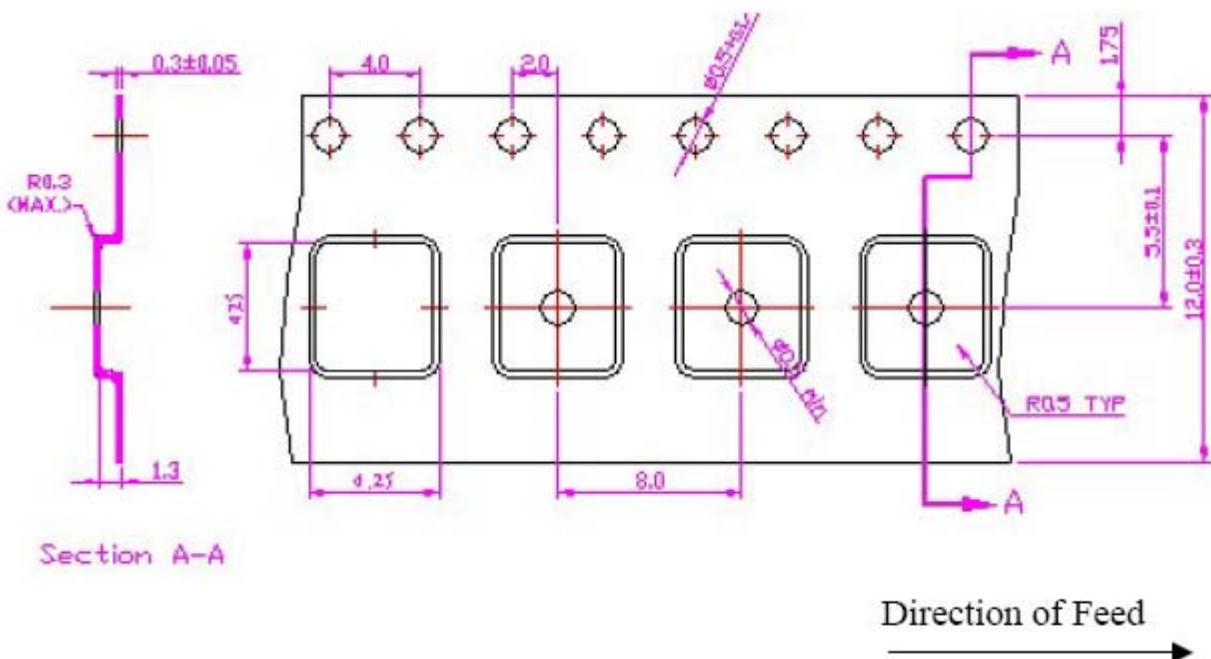
**Model: TA1595B**  
**Rev No: 2**

**G. PACKING:**

1. Reel Dimension



2. Tape Dimension



**SAW Filter 400.0MHz**  
**Part No: MP07996 (AEC-Q200 compliant)**

**Model: TA1595B**  
**Rev No: 2**

**H. RECOMMENDED REFLOW PROFILE:**

1. Preheating shall be fixed at 150 ~ 180°C for 60 ~ 90 seconds.
2. Ascending time to preheating temperature 150°C shall be 30 seconds min.
3. Heating shall be fixed at 220°C for 50 ~ 80 seconds and at 260°C +0/-5° peak (20 ~ 40 sec).
4. Time: 2 times.

