

SAW Filter 602.0MHz
Part No: MP06621

Model: TA1356B
Rev No: 3

A. MAXIMUM RATING:

Electrostatic Sensitive Device (ESD)

1. Input Power Level: 10dBm
2. DC voltage: 5V
3. Operating Temperature: -40°C to 85°C
4. Storage Temperature: -40°C to +85°C

B. CHARACTERISTICS:

Item	Unit	Min.	Typ.	Max.
Center frequency Fc	MHz	-	602	-
Amplitude ripple (590 ~ 614MHz)	dB	-	0.8	2.0
Insertion loss, IL (590 ~ 614MHz)	dB	-	2.2	3.3
Group Delay, GD (590 ~ 614MHz)	ns	-	39	200
Bandwidth @ -3dB		24	38.9	-
Attenuation (reference from 0dB)				
0.3 ~ 501MHz	dB	34	39	-
501 ~ 540MHz	dB	10	17	-
635 ~ 666MHz	dB	10	30	-
666 ~ 876MHz	dB	38	43	-
876 ~ 1026MHz	dB	32	37	-
Source impedance, Z _S	Ω	-	50	-
Load impedance, Z _L	Ω	-	50	-

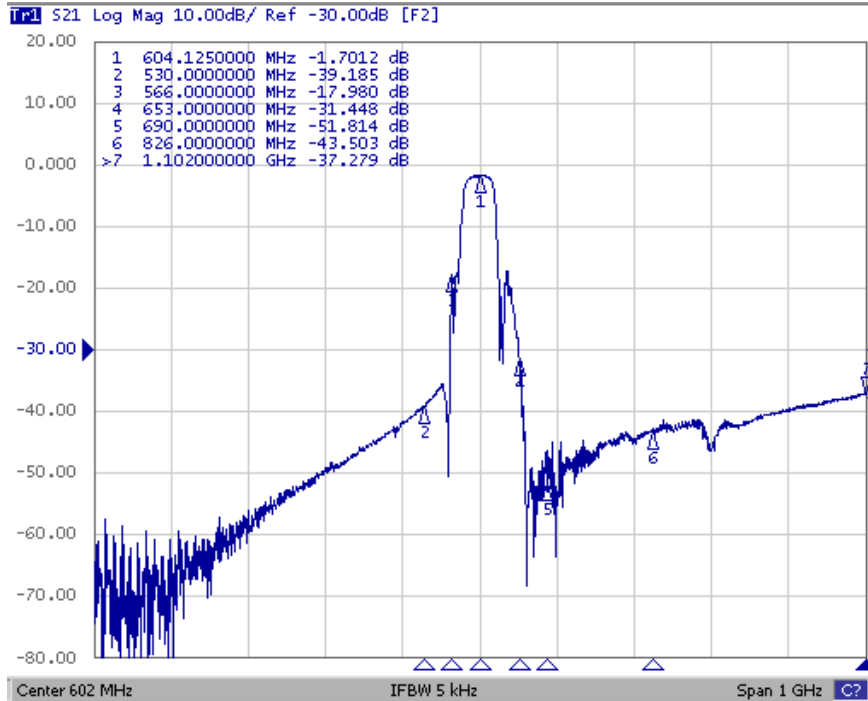
Note. No matching network required for operation at 50Ω.

SAW Filter 602.0MHz
Part No: MP06621

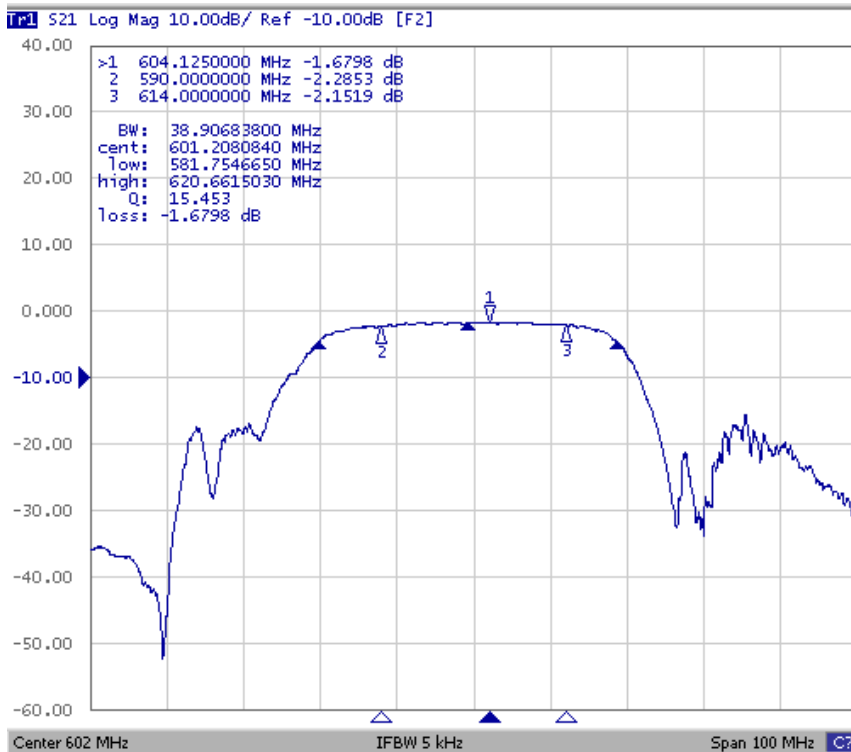
Model: TA1356B
Rev No: 3

C. FREQUENCY CHARACTERISTICS:

1. Wideband



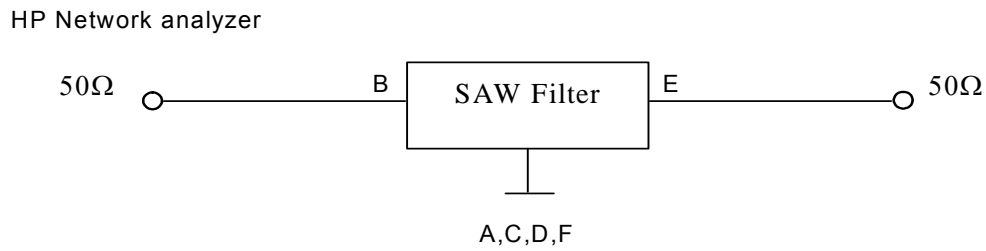
2. Passband



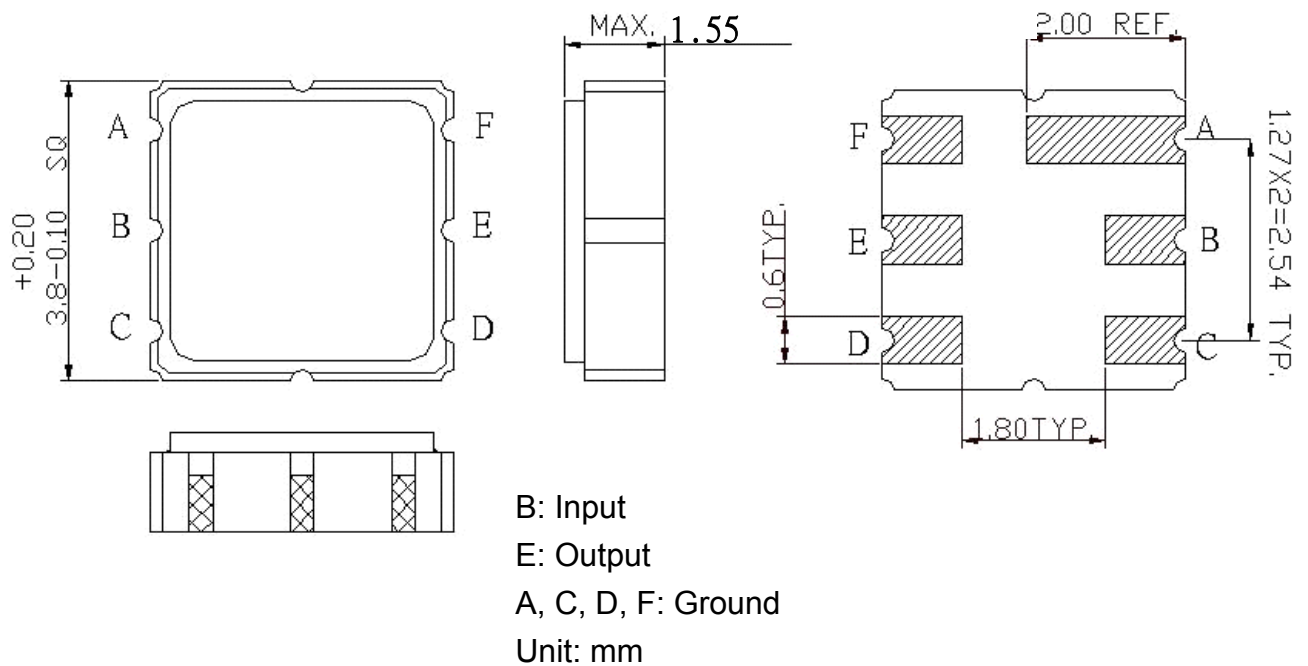
SAW Filter 602.0MHz
Part No: MP06621

Model: TA1356B
Rev No: 3

D. MEASUREMENT CIRCUIT:



E. OUTLINE DRAWING:

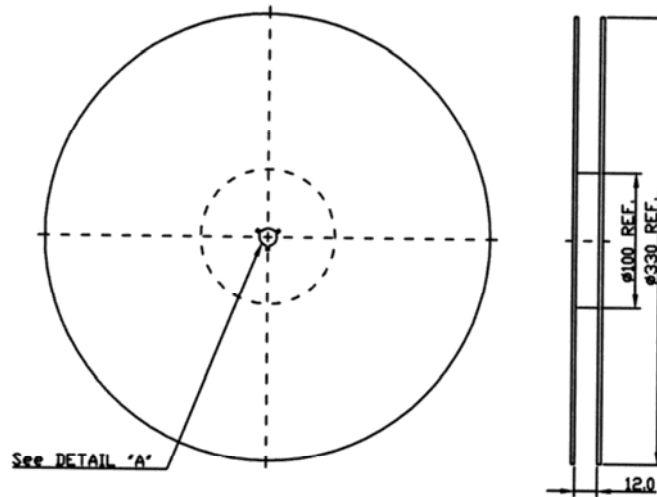


SAW Filter 602.0MHz
Part No: MP06621

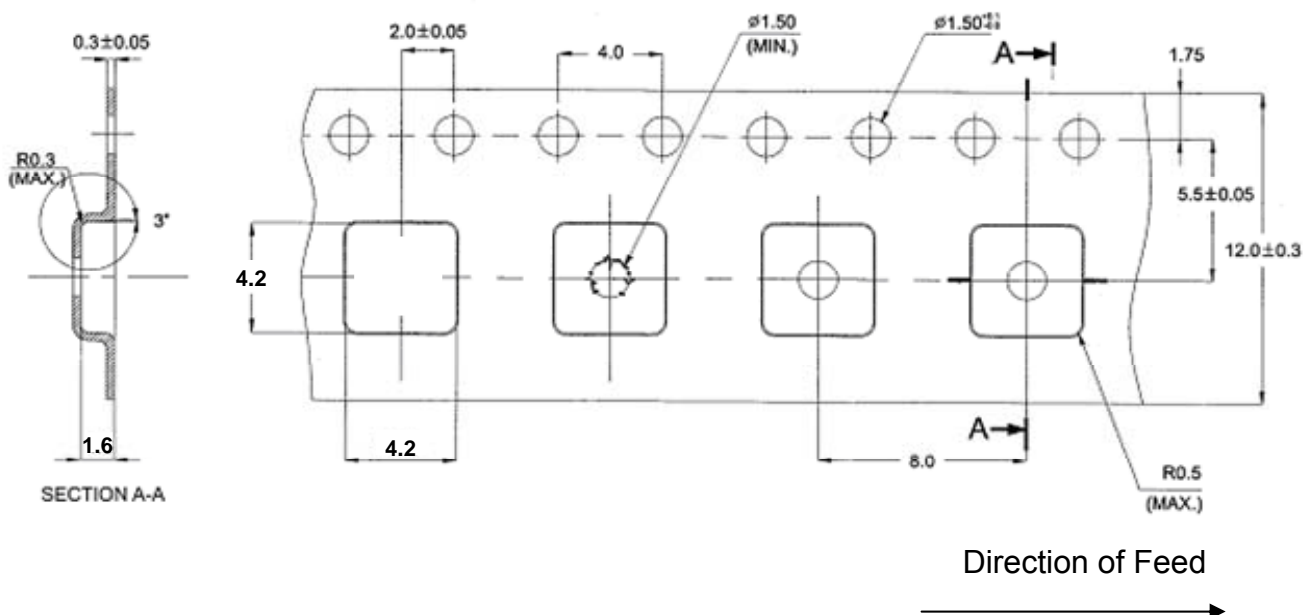
Model: TA1356B
Rev No: 3

F. PACKING:

1. Reel Dimension (Please refer to FR-75D10 for packing quantity)



2. Tape Dimension



SAW Filter 602.0MHz
Part No: MP06621

Model: TA1356B
Rev No: 3

G. RECOMMENDED REFLOW PROFILE:

