
SAW Filter 2140.0MHz

Part No: MP08460**Rev No: 1**

A. MAXIMUM RATING:

Electrostatic Sensitive Device (ESD)

1. Input Power Level: 10dBm
2. DC Voltage: 3V
3. Operating Temperature: -40°C to +85°C
4. Storage Temperature: -40°C to +85°C
5. Moisture Sensitivity Level: Level 1
6. ESD 50V (MM) 100V (HBM)

B. ELECTRICAL CHARACTERISTICS:

1. Terminating source impedance: $Z_S = 50\Omega$
2. Terminating load impedance: $Z_L = 50\Omega$

Parameters Description	Unit	Min.	Typ.	Max.
Center Frequency (Fc)	MHz	-	2140.0	-
Insertion Loss within 2110.0 ~ 2170.0MHz	dB	-	1.9	2.5
Amplitude Ripple within 2110.0 ~2170.0MHz	dB p-p	-	0.7	1.4
VSWR within 2110.0 ~2170.0MHz	-	-	1.9	2.4
Attenuation:				
1920.0 ~ 1980.0MHz	dB	43	48	-
2040.0 ~ 2045.0MHz	dB	35	38	-
2045.0 ~ 2050.0MHz	dB	37	42	-
4220.0 ~ 4340.0MHz	dB	30	38	-

Note: No Matching Network.

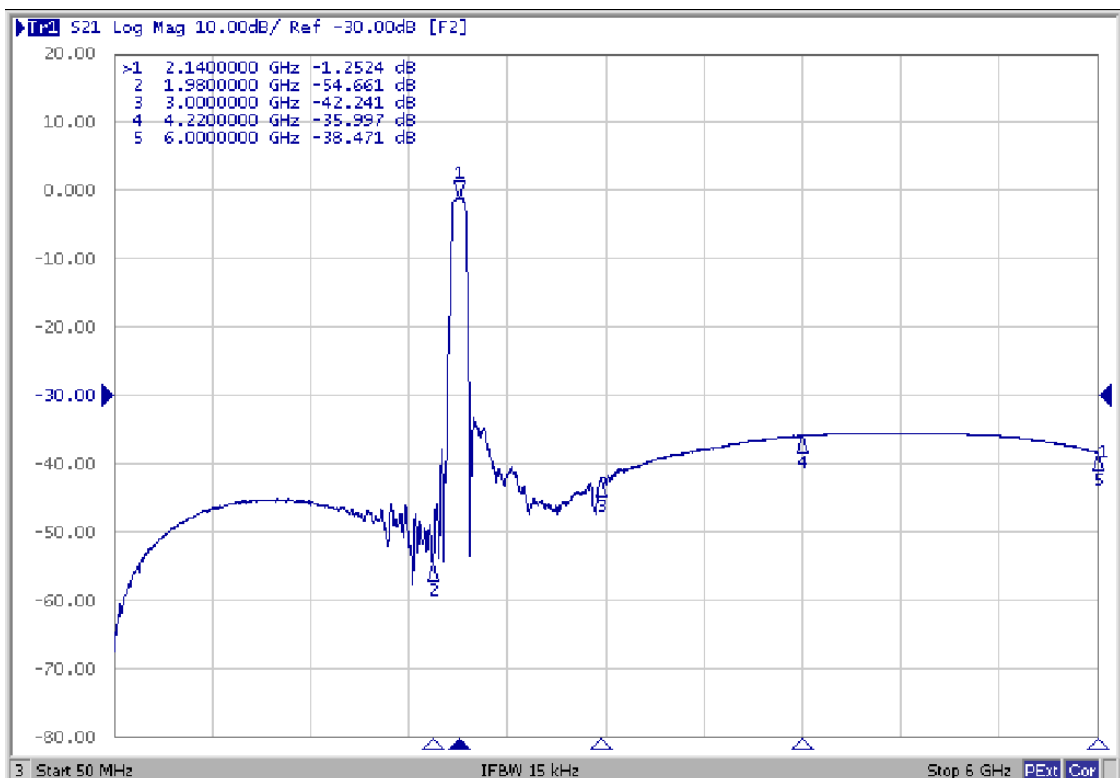
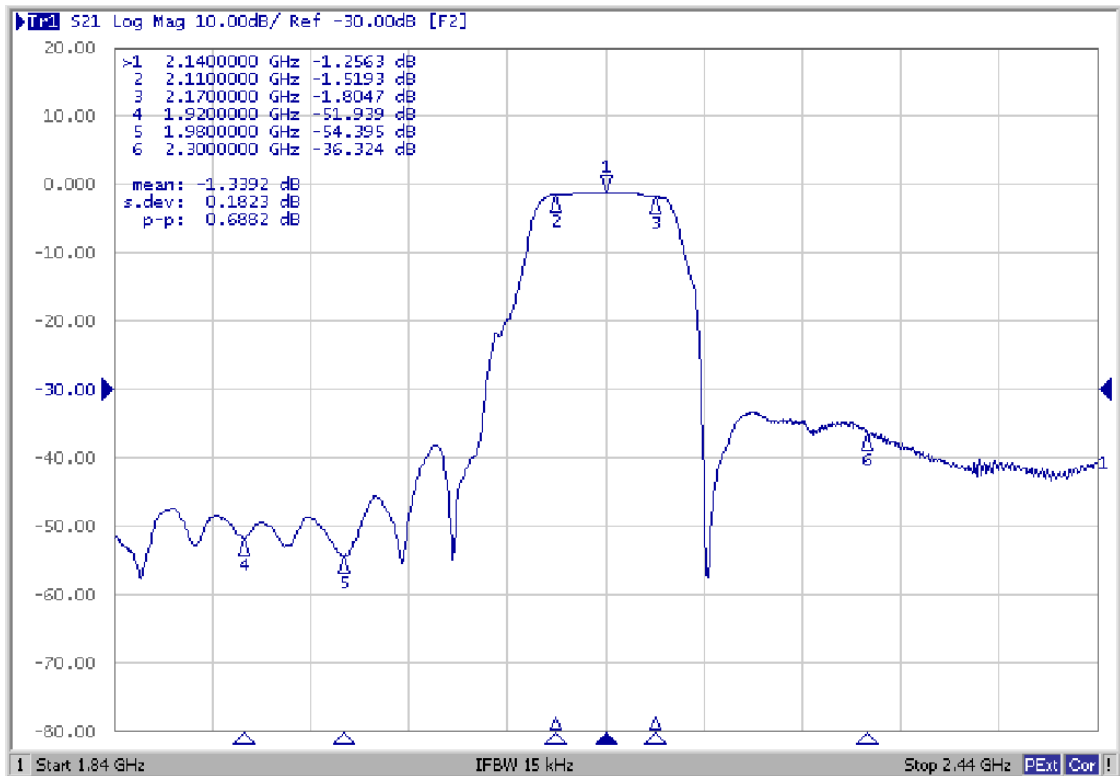
SAW Filter 2140.0MHz

Part No: MP08460

Rev No: 1

C. FREQUENCY CHARACTERISTICS:

1. Frequency Response

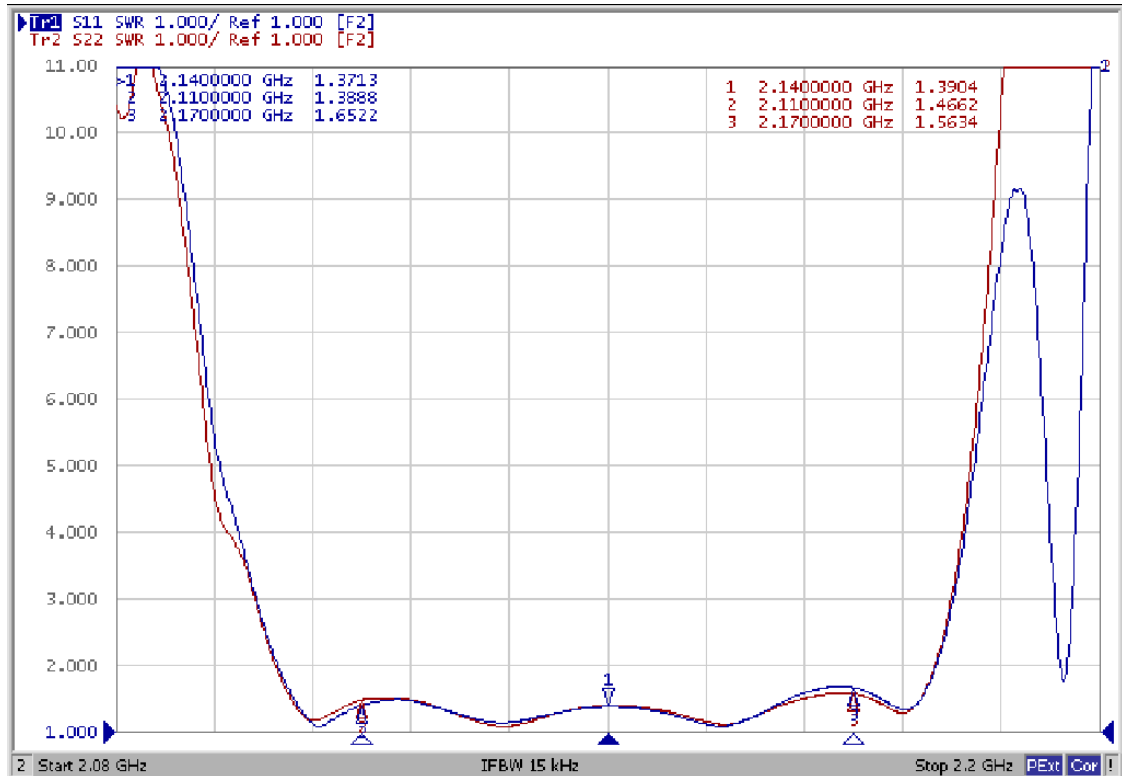


SAW Filter 2140.0MHz

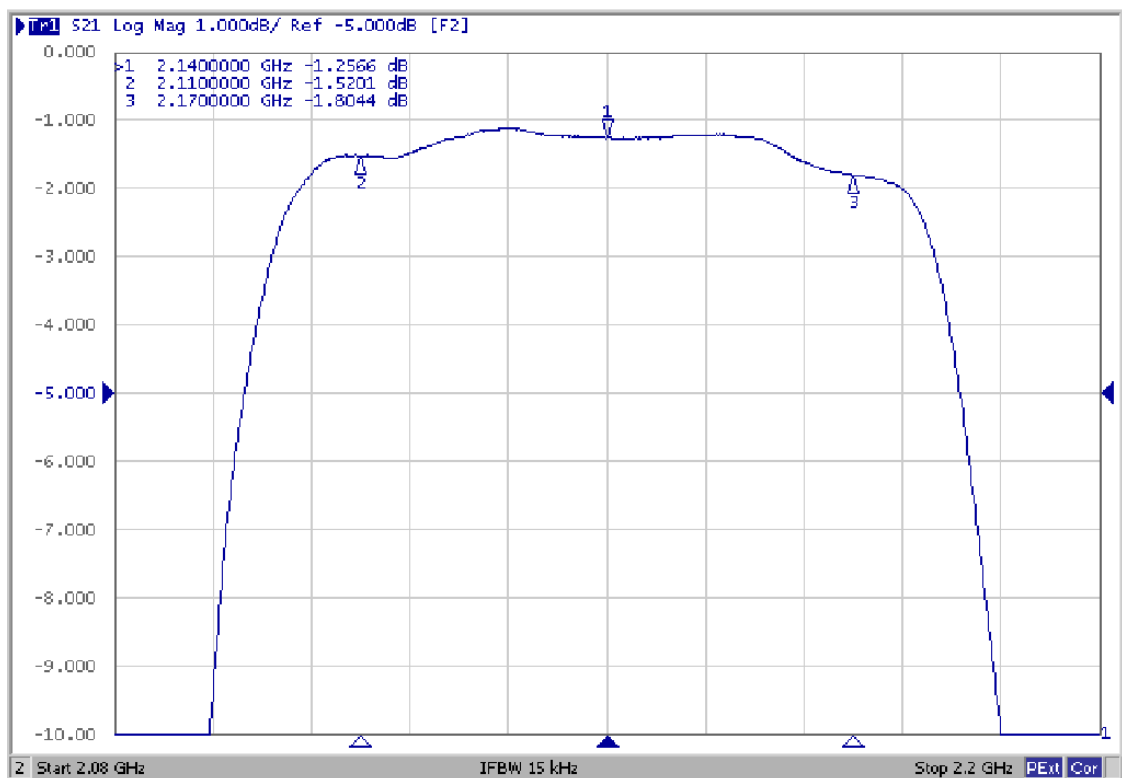
Part No: MP08460

Rev No: 1

2. VSWR



3. Ripple

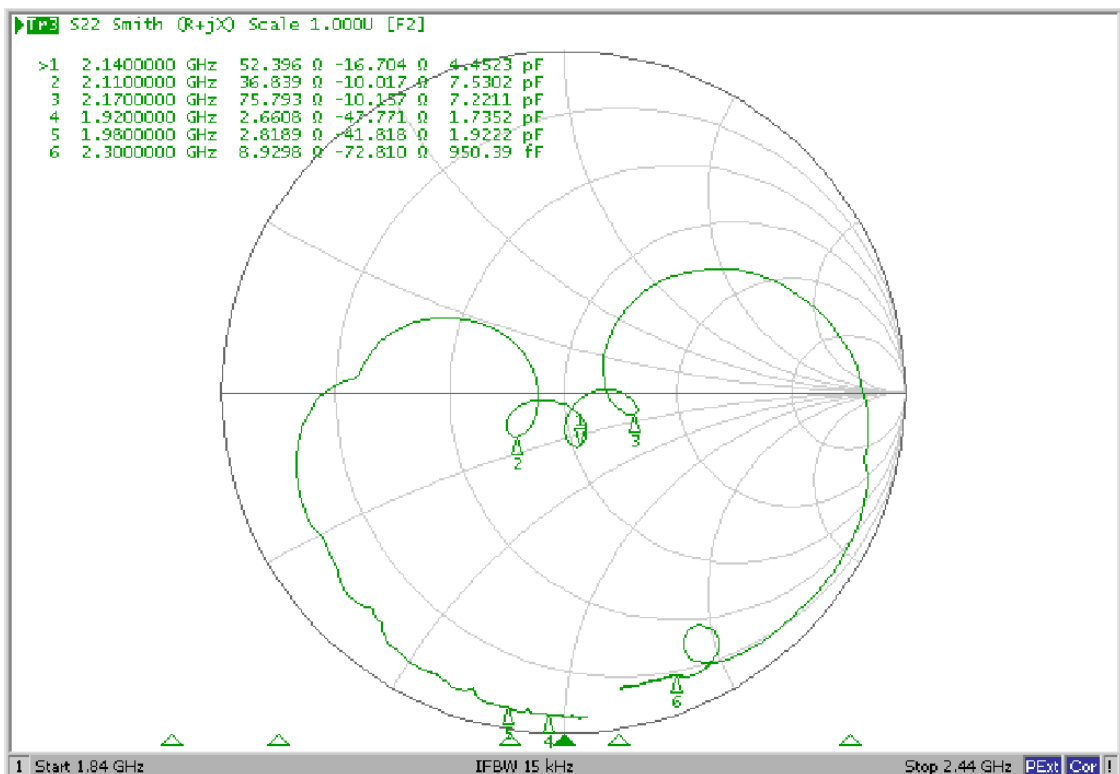
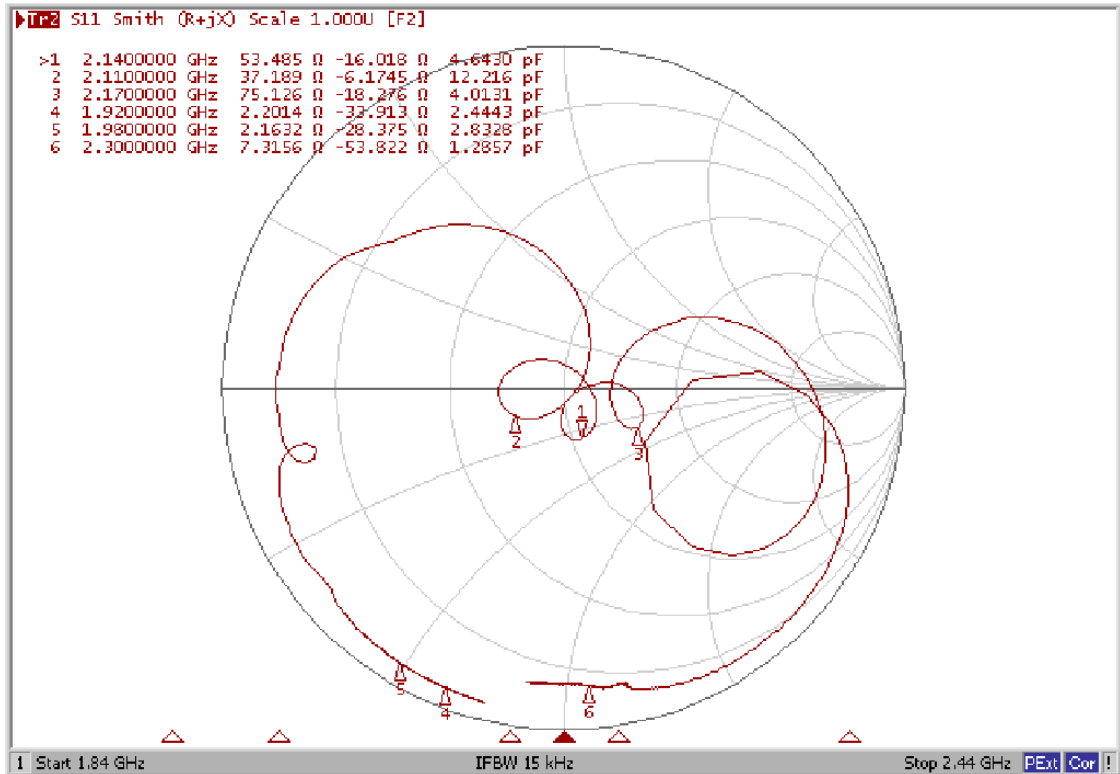


SAW Filter 2140.0MHz

Part No: MP08460

Rev No: 1

4. Smith Chart

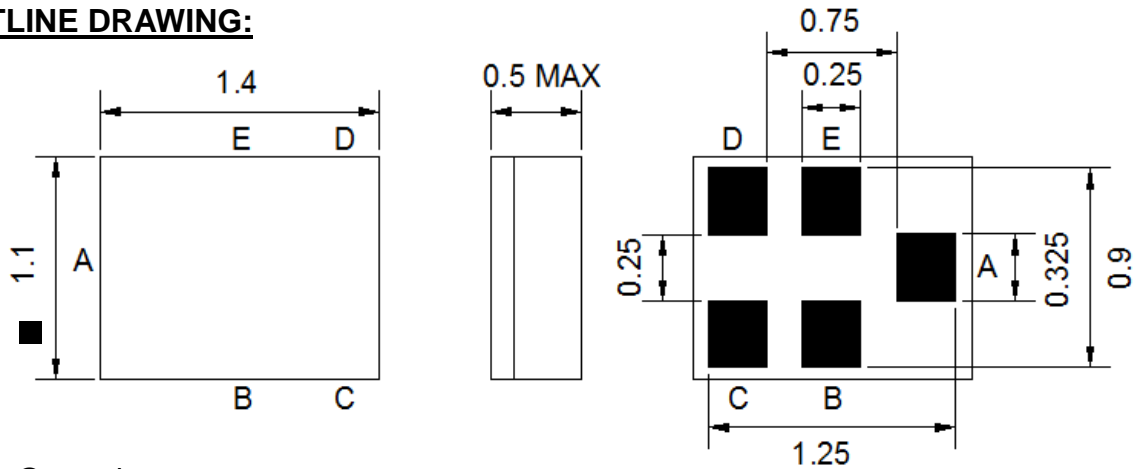


SAW Filter 2140.0MHz

Part No: MP08460

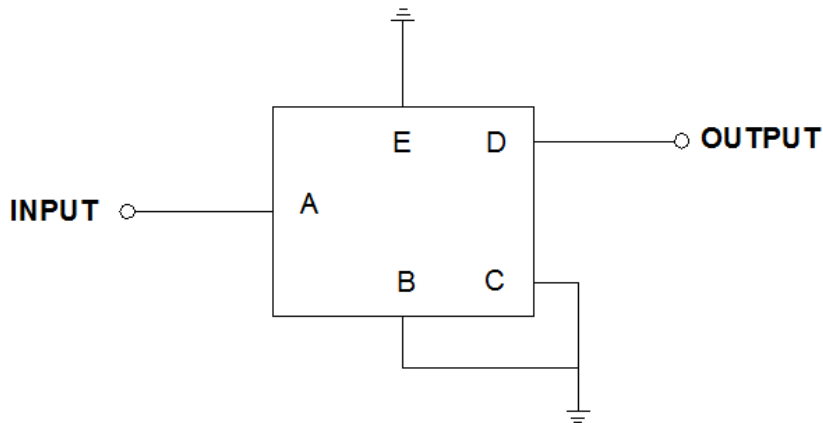
Rev No: 1

D. OUTLINE DRAWING:



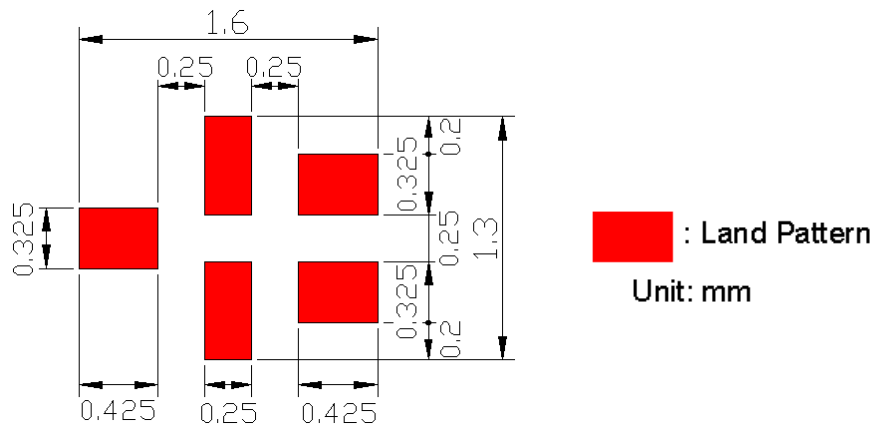
B, C, E: Ground
 A: Input
 D: Output

E. MEASUREMENT CIRCUIT:



Source & Load Impedance: 50Ω

F. PCB FOOTPRINT:



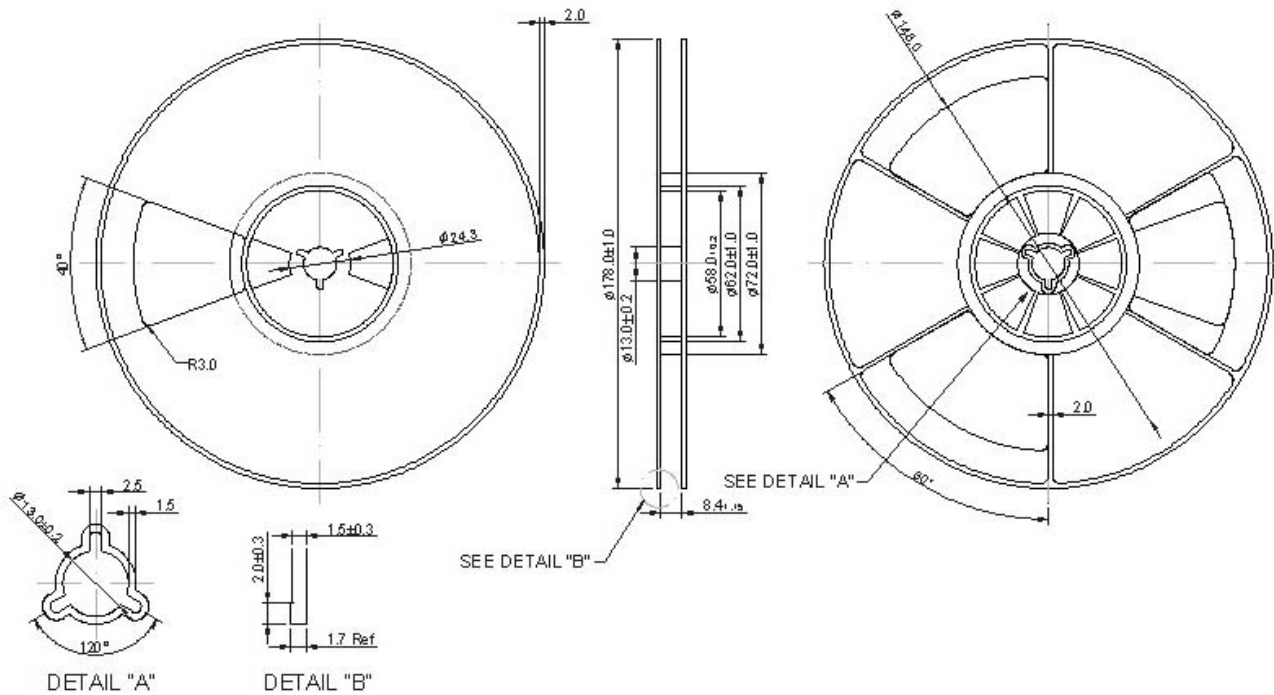
SAW Filter 2140.0MHz

Part No: MP08460

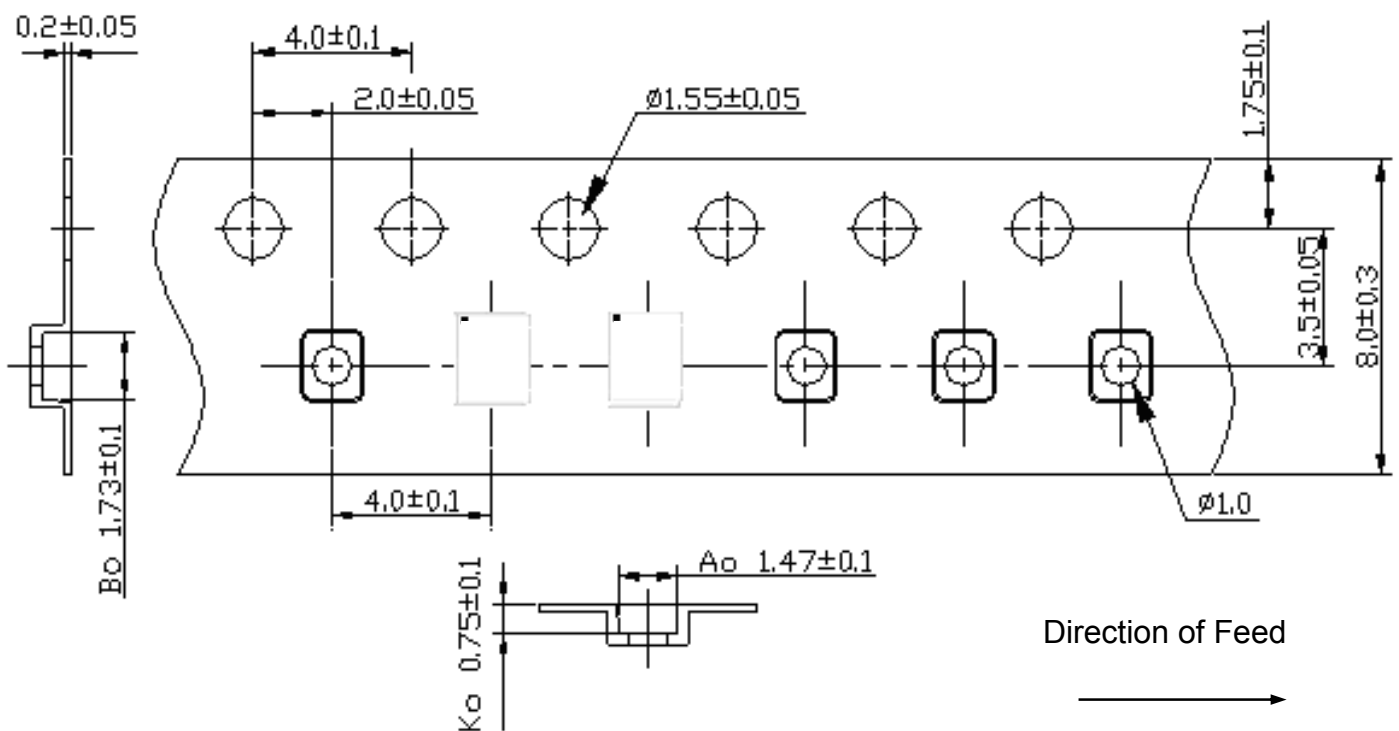
Rev No: 1

G. PACKING:

1. Reel Dimension



2. Tape Dimension



SAW Filter 2140.0MHz

Part No: MP08460

Rev No: 1

H. RECOMMENDED REFLOW PROFILE:

1. Preheating shall be fixed at 150 ~ 180°C for 60 ~ 90 seconds.
2. Ascending time to preheating temperature 150°C shall be 30 seconds min.
3. Heating shall be fixed at 220°C for 50 ~ 80 seconds and at 260°C +0/-5°C peak (20 ~ 40 sec).
4. Time: 2 times.

