

SAW Filter 2817.50MHz

Part No: MP08497

Rev No: 1

A. MAXIMUM RATING:

Electrostatic Sensitive Device (ESD)

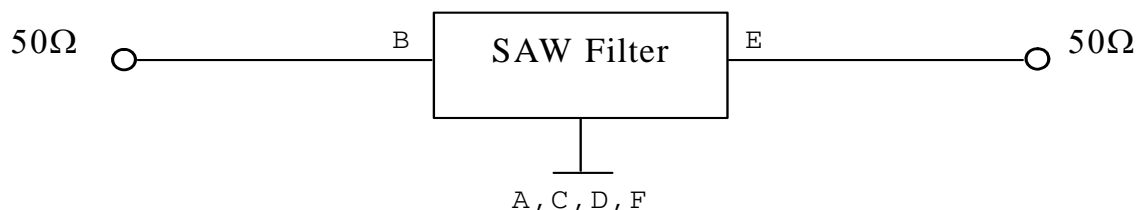
1. Input Power Level: 10dBm
2. DC Voltage: 3V
3. Operating Temperature: -40°C to +85°C
4. Storage Temperature: -40°C to +85°C
5. Moisture Sensitivity Level: Level 1 (MSL1)

B. ELECTRICAL CHARACTERISTICS:

Item	Unit	Min.	Typ.	Max.
Center Frequency Fc	MHz	-	2817.5	-
Insertion loss (2802.5 ~ 2832.5MHz) IL	dB	-	3.8	4.6
Amplitude ripple (2802.5 ~ 2832.5MHz)	dB	-	0.1	1.2
Attenuation (Reference level from 0dB)				
50 ~ 2500MHz	dB	20	25	-
3150 ~ 4500MHz	dB	20	27	-
Temperature coefficient of frequency	ppm/k	-	-80	-

C. MEASUREMENT CIRCUIT:

HP Network analyzer

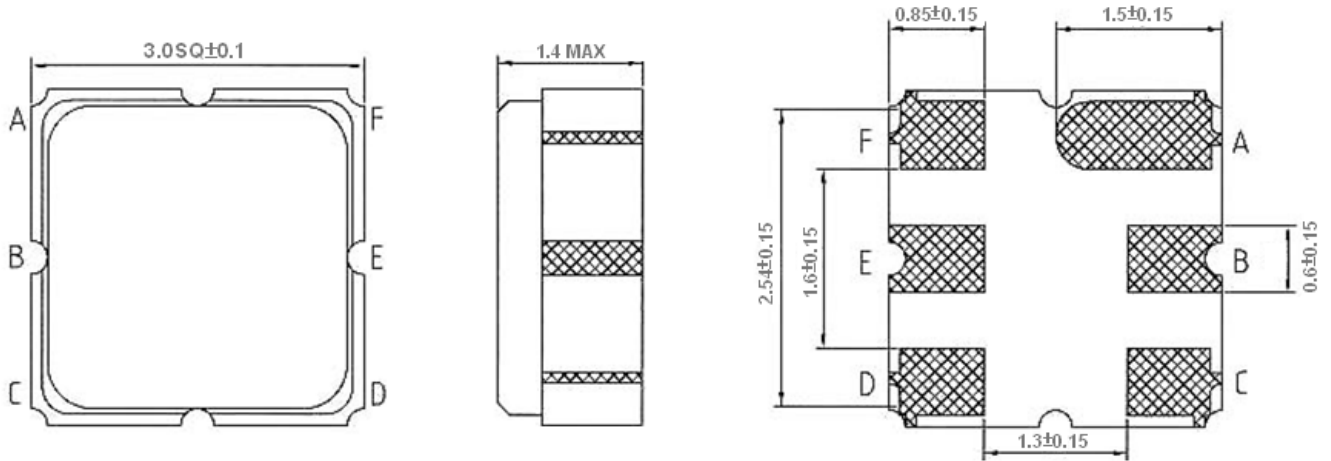


SAW Filter 2817.50MHz

Part No: MP08497

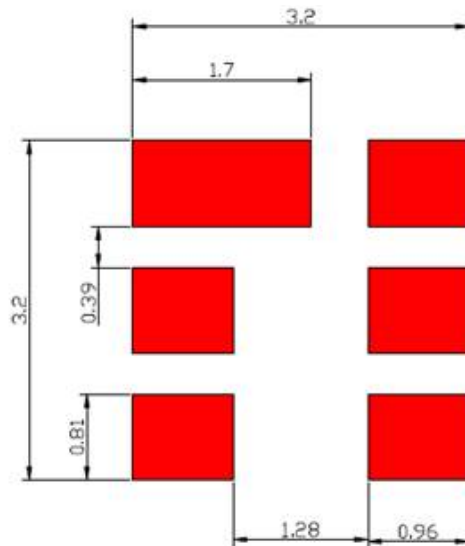
Rev No: 1

D. OUTLINE DRAWING:



B: Input
 E: Output
 A, C, D, F: Ground
 Unit: mm

E. PCB FOOTPRINT:

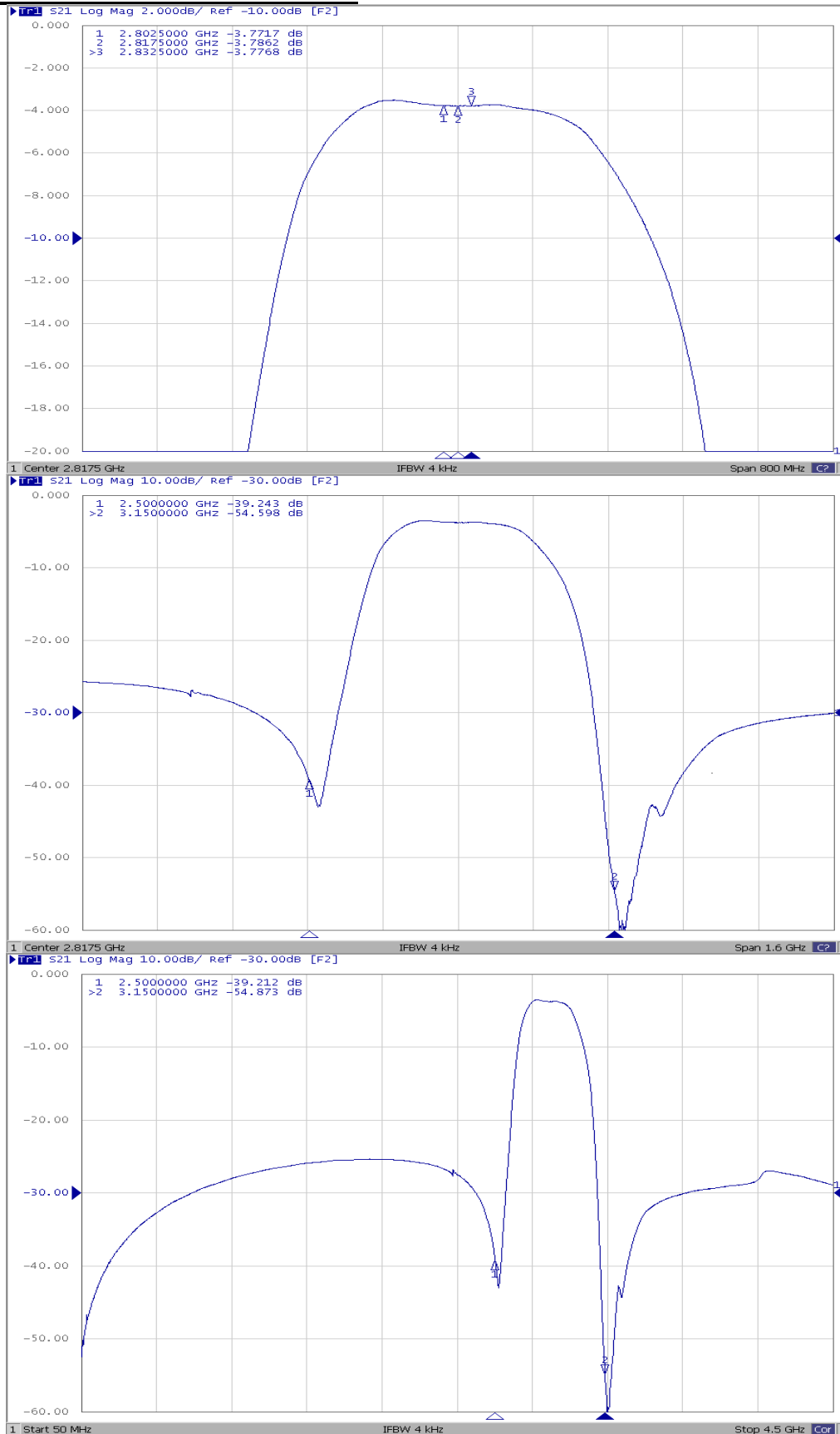


SAW Filter 2817.50MHz

Part No: MP08497

Rev No: 1

F. FREQUENCY CHARACTERISTICS:



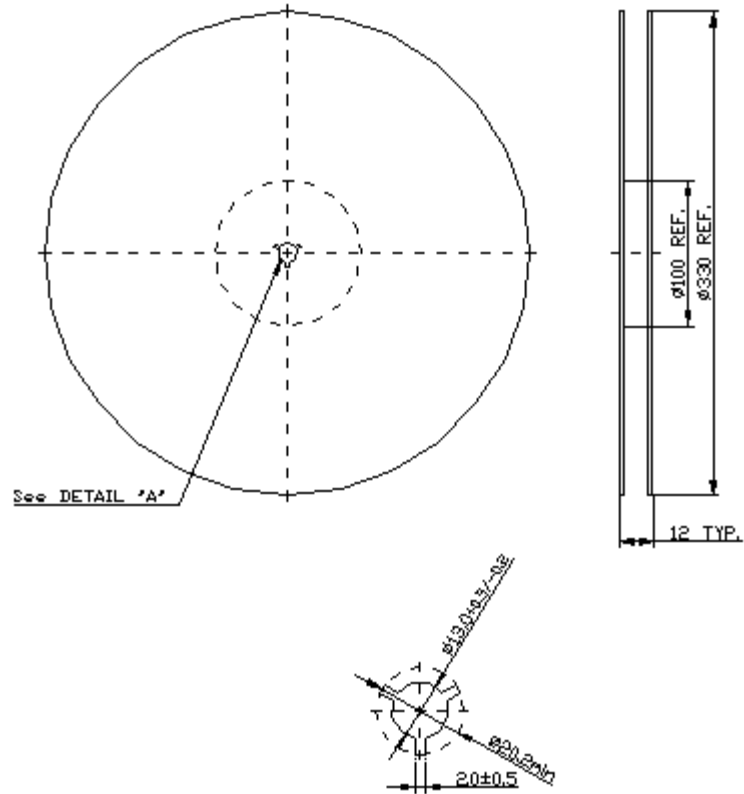
SAW Filter 2817.50MHz

Part No: MP08497

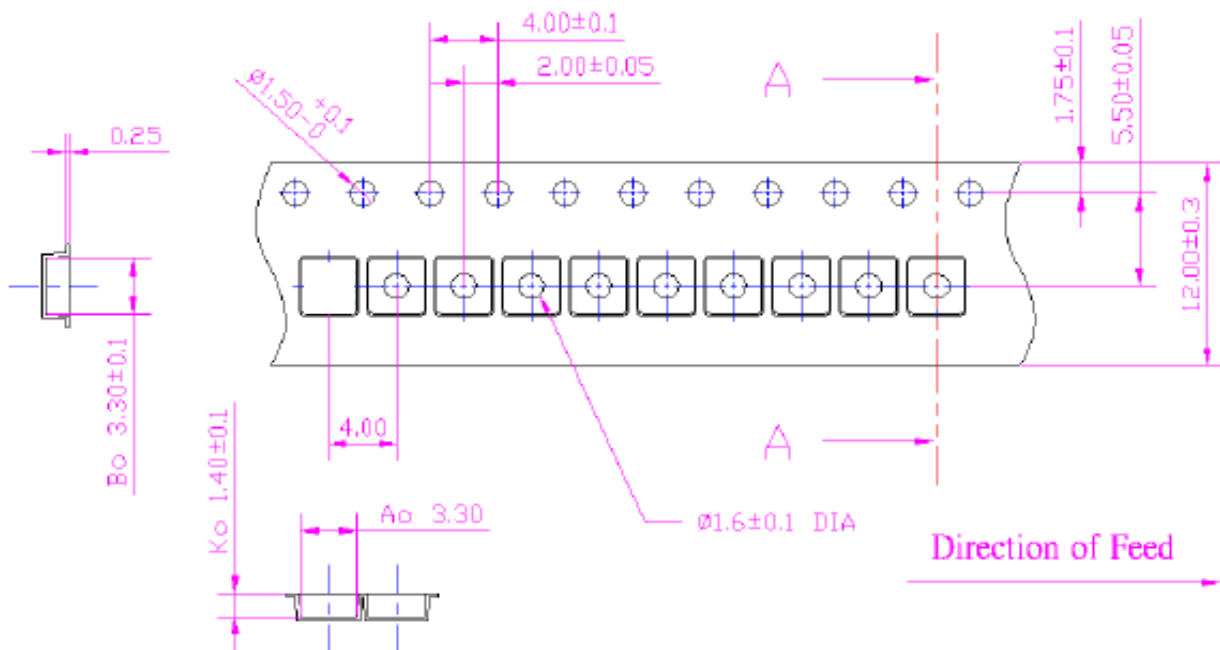
Rev No: 1

G. PACKING

1. Reel Dimension



2. Tape Dimension



SAW Filter 2817.50MHz

Part No: MP08497

Rev No: 1

H. RECOMMENDED REFLOW PROFILE:

1. Preheating shall be fixed at 150 ~ 180°C for 60 ~ 90 seconds.
2. Ascending time to preheating temperature 150°C shall be 30 seconds min.
3. Heating shall be fixed at 220°C for 50 ~ 80 seconds and at 260°C +0/-5°C peak (20 ~ 40 sec).
4. Time: 2 times.

