

SAW Filter 1225.0MHz

Model No: TA2298A

Part No: MP09088

Rev No: 1

A. MAXIMUM RATING:

Electrostatic Sensitive Device (ESD)

1. Input Power Level: 10dBm
2. DC Voltage: 0V
3. Operating Temperature: -40°C to +85°C
4. Storage Temperature: -40°C to +105°C
5. Moisture Sensitivity Level: Level 3
6. ESD 50V (MM) 100V (HBM)

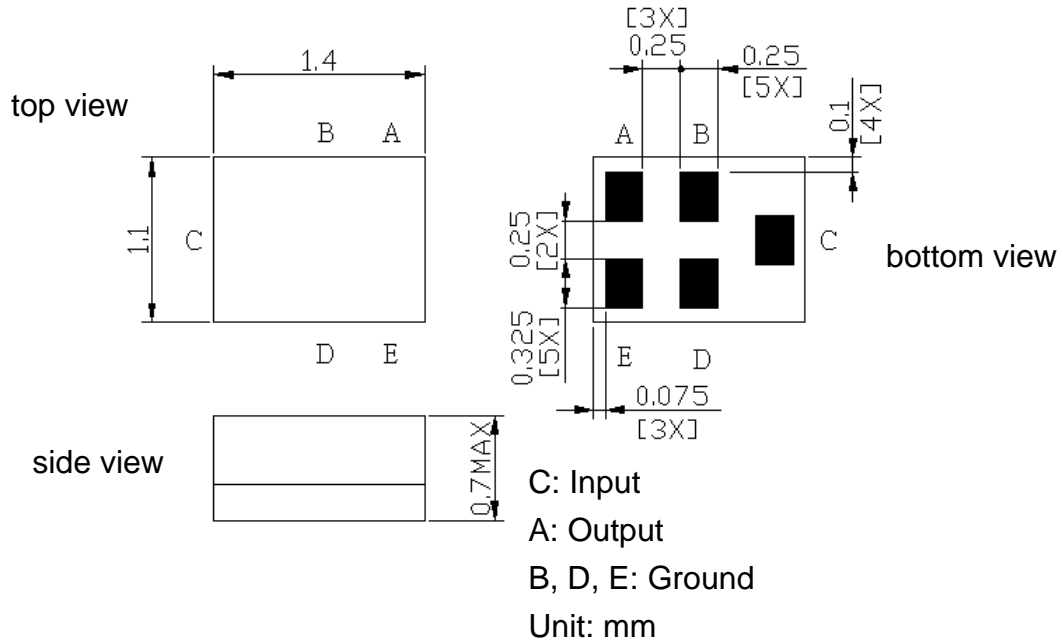
B. ELECTRICAL CHARACTERISTICS:

Item	Unit	Min.	Typ.	Max.
Center frequency	MHz	-	1225	-
Insertion Loss (1195 ~ 1255MHz)	dB	-	2.2	2.8
Group Delay Ripple (1195 ~ 1255MHz)	ns	-	10	20
Attenuation (reference level from 0dB)				
880 ~ 920MHz	dB	32	36	-
1710 ~ 1850MHz	dB	38	43	-
1850 ~ 1920MHz	dB	40	48	-
1920 ~ 1980MHz	dB	40	49	-
2400 ~ 2500MHz	dB	40	45	-
Temperature Coefficient of Frequency	ppm/°C	-	-36	-

SAW Filter 1225.0MHz
Part No: MP09088

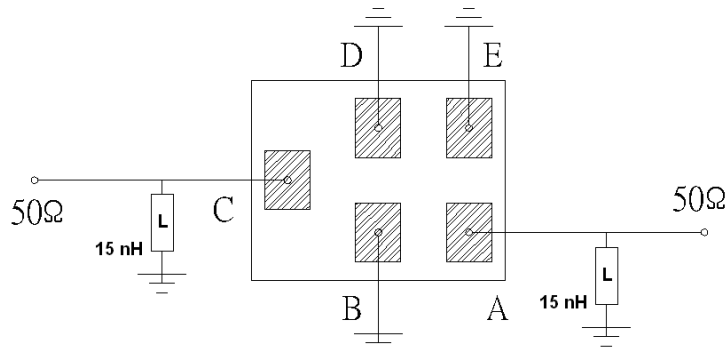
Model No: TA2298A
Rev No: 1

C. OUTLINE DRAWING:

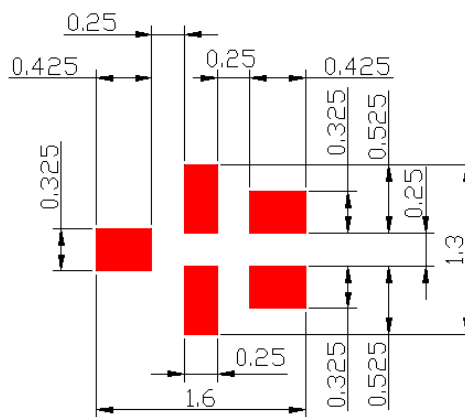


D. MEASUREMENT CIRCUIT:

By network analyzer simulation with port extension.



E. PCB FOOTPRINT:



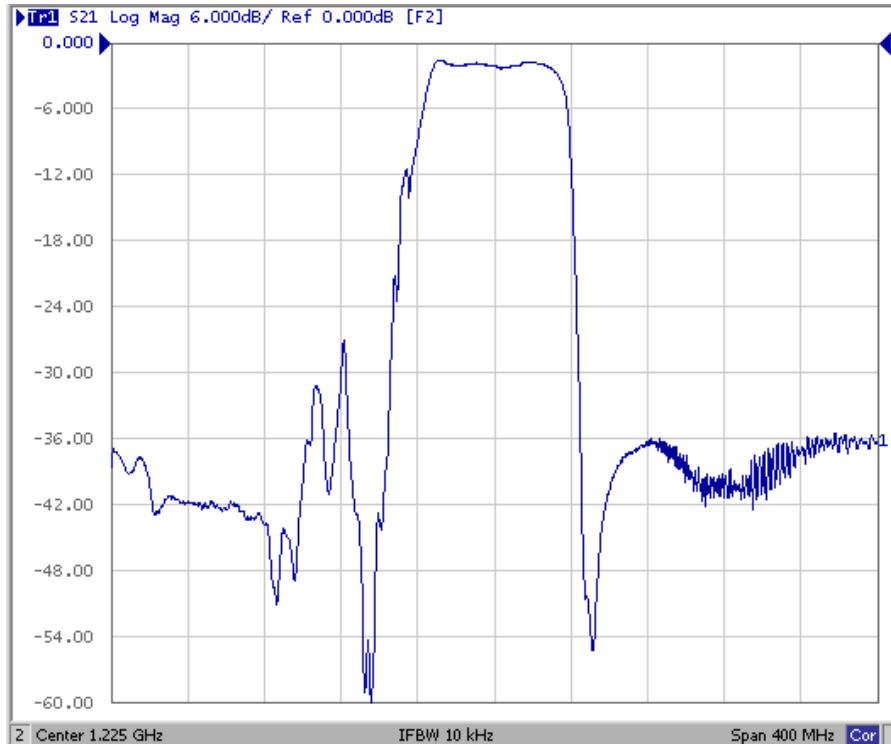
: Land Pattern
 Unit : mm

SAW Filter 1225.0MHz
Part No: MP09088

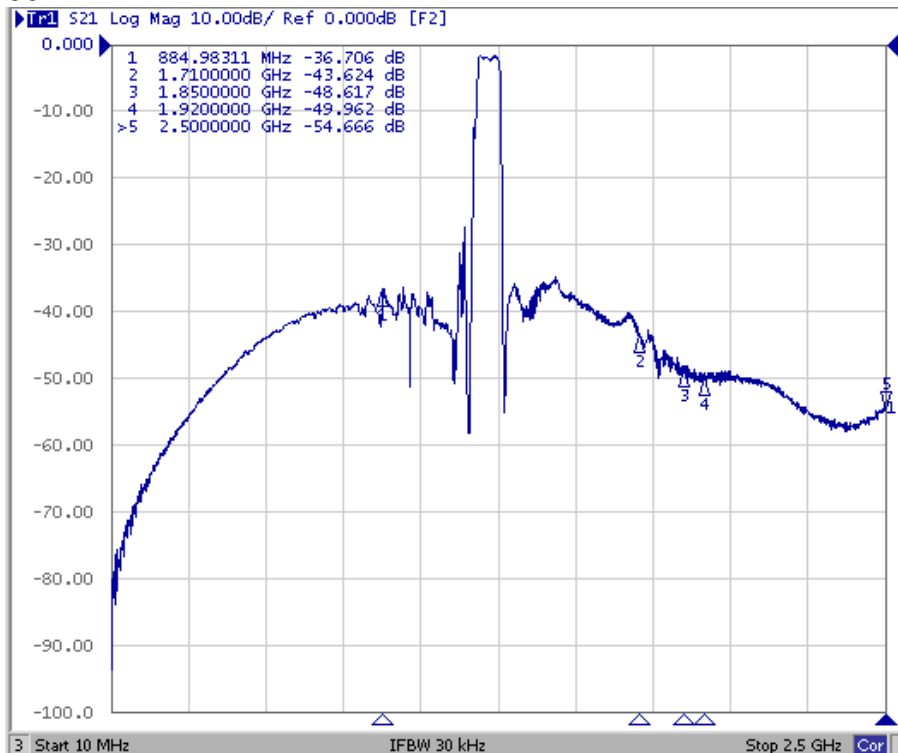
Model No: TA2298A
Rev No: 1

F. FREQUENCY CHARACTERISTICS:

1. Span 400MHz



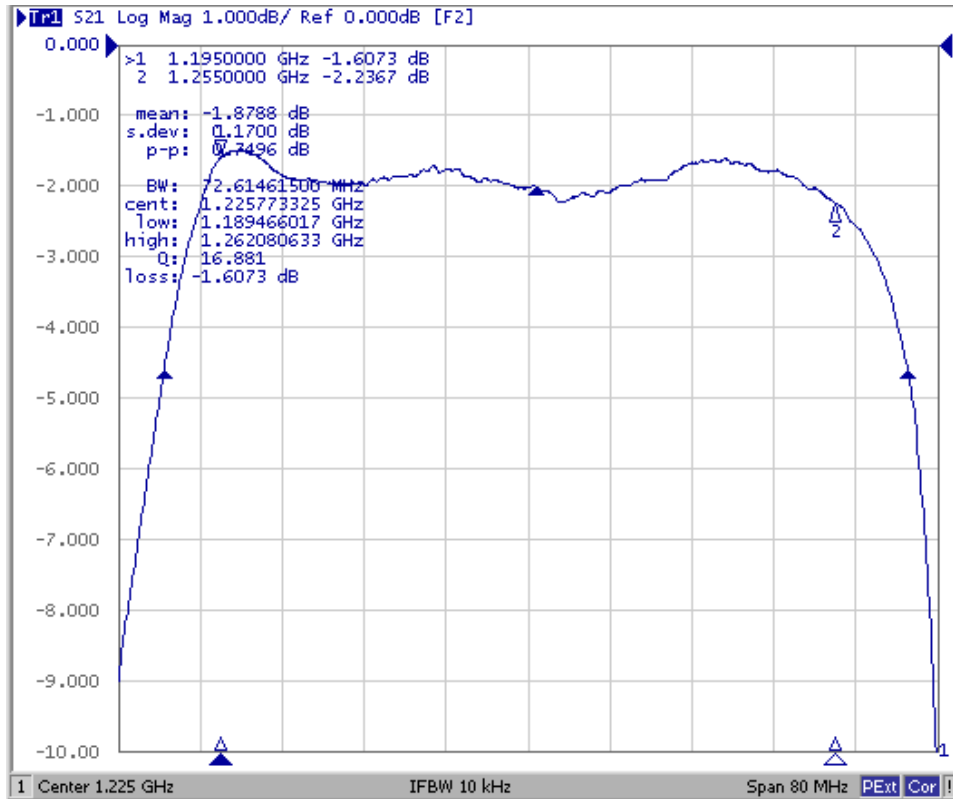
2. Span 2500MHz



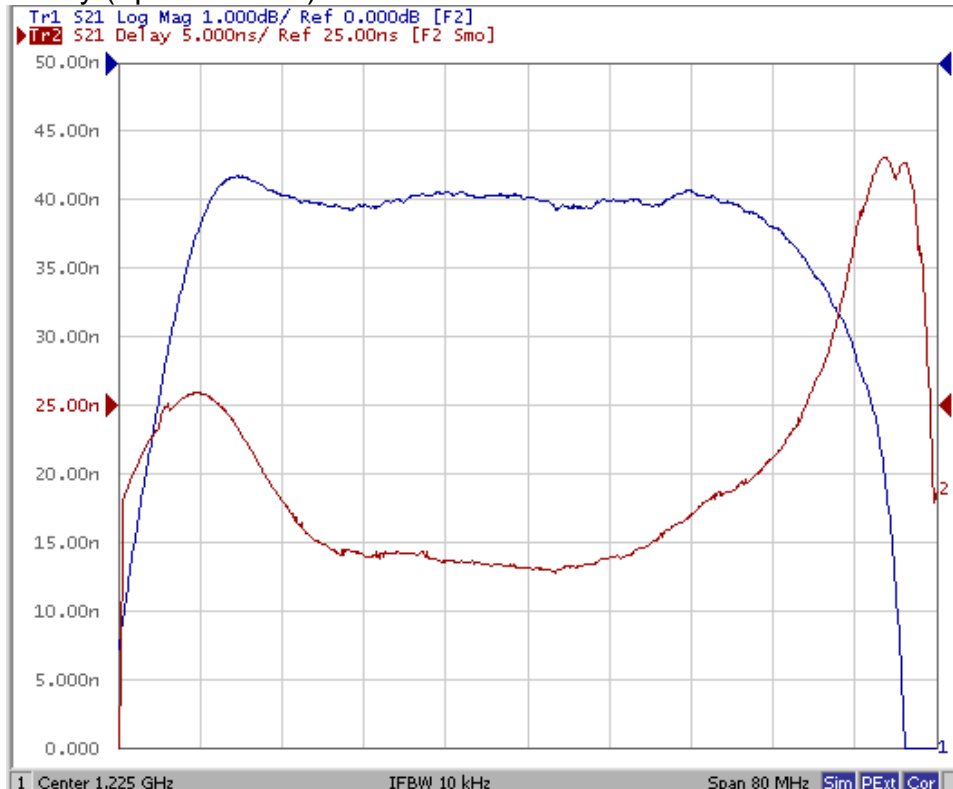
SAW Filter 1225.0MHz
Part No: MP09088

Model No: TA2298A
Rev No: 1

3. Span 80MHz



4. Group Delay (Span 80 MHz)

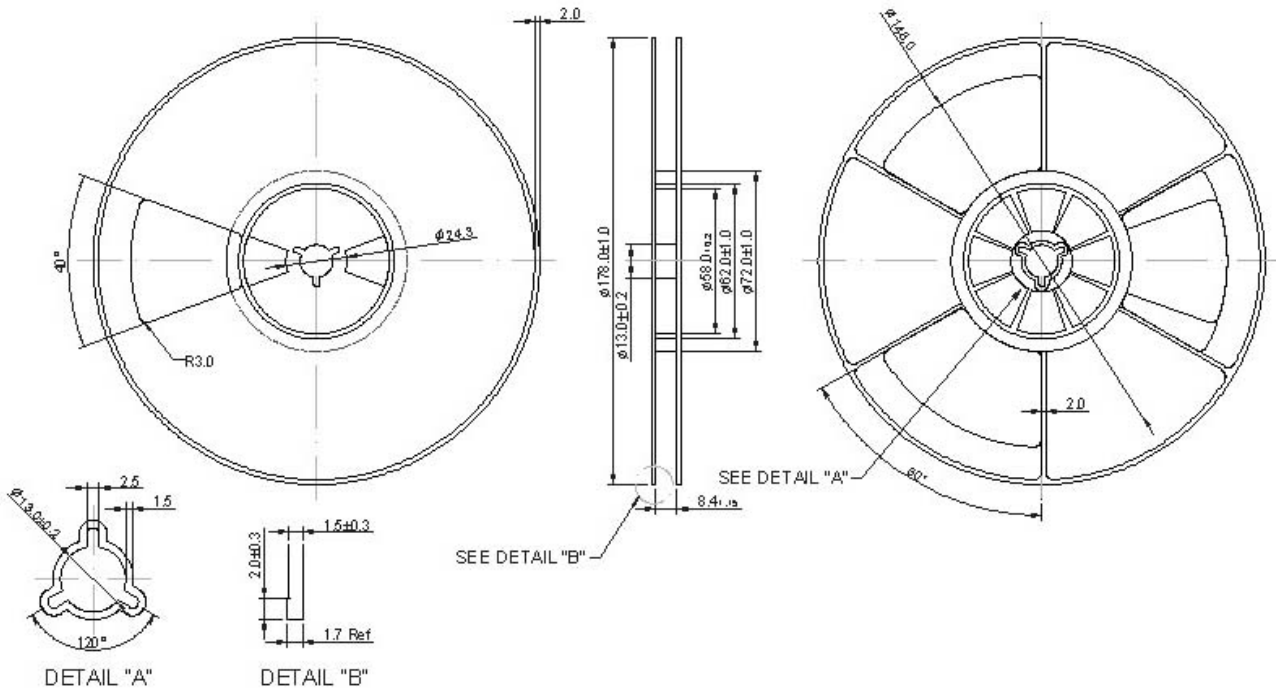


SAW Filter 1225.0MHz
Part No: MP09088

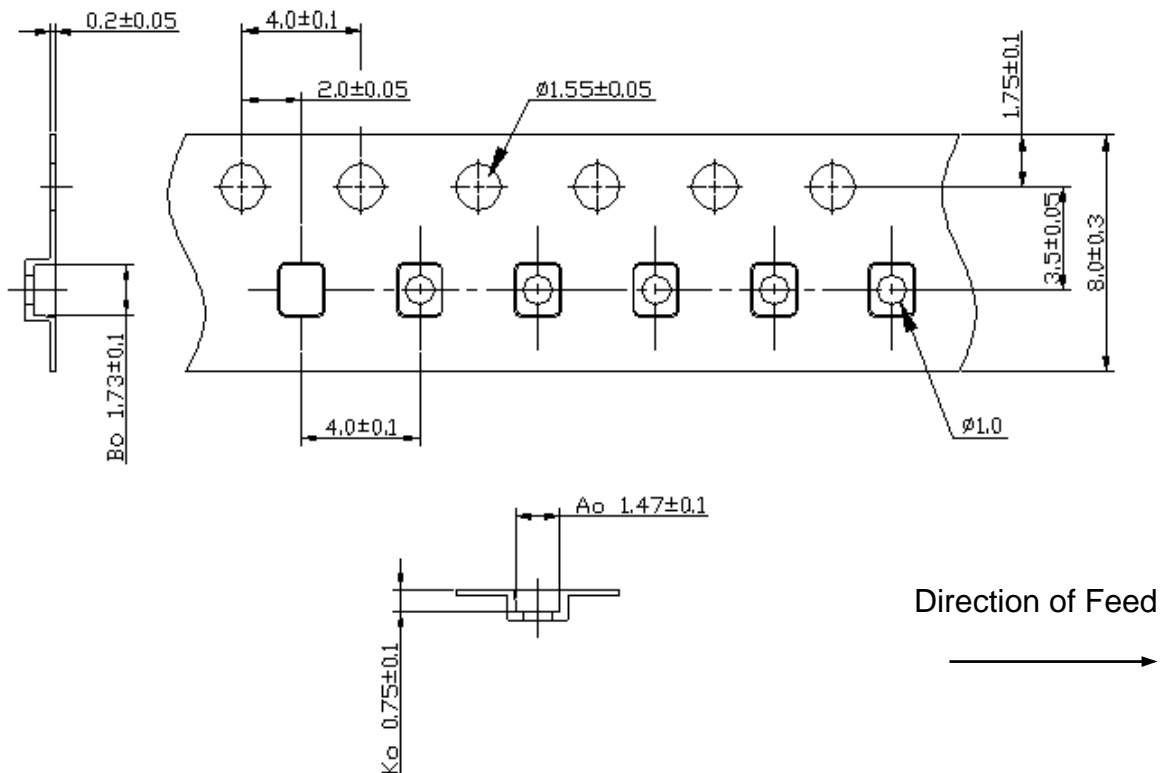
Model No: TA2298A
Rev No: 1

G. PACKING:

1. Reel Dimension



2. Tape Dimension



SAW Filter 1225.0MHz
Part No: MP09088

Model No: TA2298A
Rev No: 1

H. RECOMMENDED REFLOW PROFILE:

1. Preheating shall be fixed at 150 ~ 180°C for 60 ~ 90 seconds.
2. Ascending time to preheating temperature 150°C shall be 30 seconds min.
3. Heating shall be fixed at 220°C for 50 ~ 80 seconds and at 260°C +0/-5°C peak (20 ~ 40 sec).
4. Time: 2 times.

