

SAW Filter 1189.0MHz
Part No: MP09089

Model No: TA2448A
Rev No: 1

A. MAXIMUM RATING:

Electrostatic Sensitive Device (ESD)

1. Input Power Level: 13dBm (2000h)
2. DC Voltage: 3V
3. Operating Temperature: -20°C to +85°C
4. Storage Temperature: -40°C to +85°C
5. ESD Machine Mode: 50V
6. ESD Human Body Mode: 100V
7. Moisture Sensitive Level (MSL): Level 2a

B. ELECTRICAL CHARACTERISTICS:

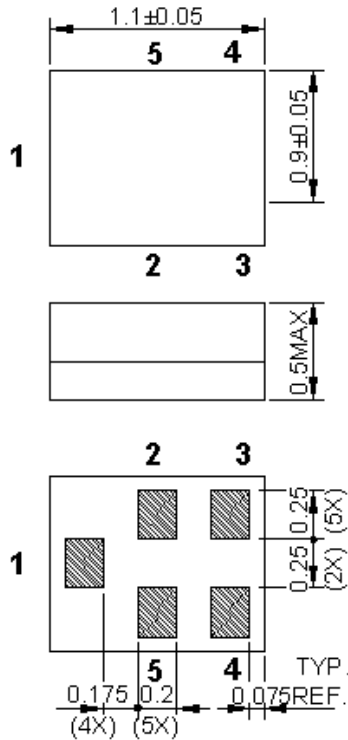
1. Temperature range for specification: $T_{spec} = -20^{\circ}\text{C}$ to $+85^{\circ}\text{C}$
2. Terminating source impedance: $Z_S = 50\Omega$
3. Terminating load impedance: $Z_L = 50\Omega$

Item	Unit	Min.	Typ.	Max.
Center Frequency F_c	MHz	-	1189	-
Insertion Loss (1164 ~ 1189MHz) IL	dB	-	1.5	2.3
Insertion Loss (1189 ~ 1214MHz) IL	dB	-	1.8	2.3
Amplitude Ripple (1164 ~ 1189MHz)	dB p-p	-	0.3	1.3
Amplitude Ripple (1189 ~ 1214MHz)	dB p-p	-	0.5	1.4
VSWR (1164 ~ 1214MHz)		-	1.8	2.1
Group Delay Deviation (1189 ~ 1214MHz)	ns	-	9	15
Attenuation (refer to 0dB)				
100 ~ 814MHz	dB	35	39	-
814 ~ 849MHz	dB	33	39	-
849 ~ 980MHz	dB	30	37	-
980 ~ 1010MHz	dB	35	38	-
1010 ~ 1100MHz	dB	33	36	-
1100 ~ 1130MHz	dB	20	30	-
1250 ~ 1427MHz	dB	25	32	-
1427 ~ 1463MHz	dB	33	36	-
1710 ~ 2025MHz	dB	33	38	-
2300 ~ 2690MHz	dB	28	32	-
2690 ~ 3000MHz	dB	25	30	-
3000 ~ 6000MHz	dB	20	23	-
Temperature Coefficient	ppm/K	-	-36	-

SAW Filter 1189.0MHz
Part No: MP09089

Model No: TA2448A
Rev No: 1

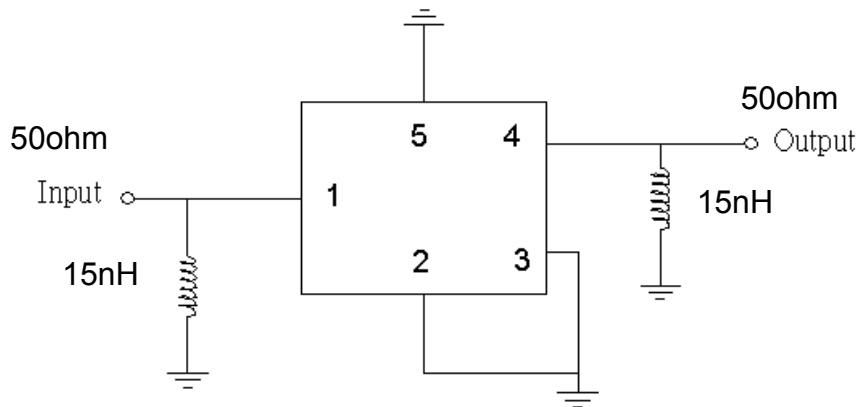
C. OUTLINE DRAWING:



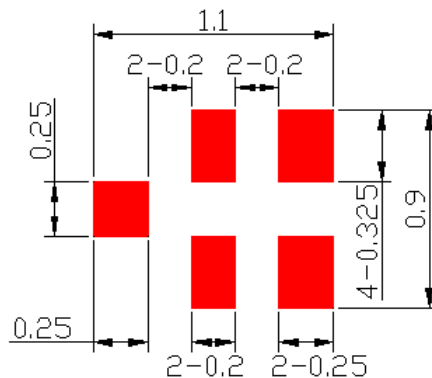
All tolerances are ± 0.05 mm unless otherwise specified
 Coplanarity : 0.1 mm max.
 1 to 5 : Pin No.
 Unit : mm

- 1: Input
- 4: Output
- 2, 3, 5: Ground

D. MEASUREMENT CIRCUIT:



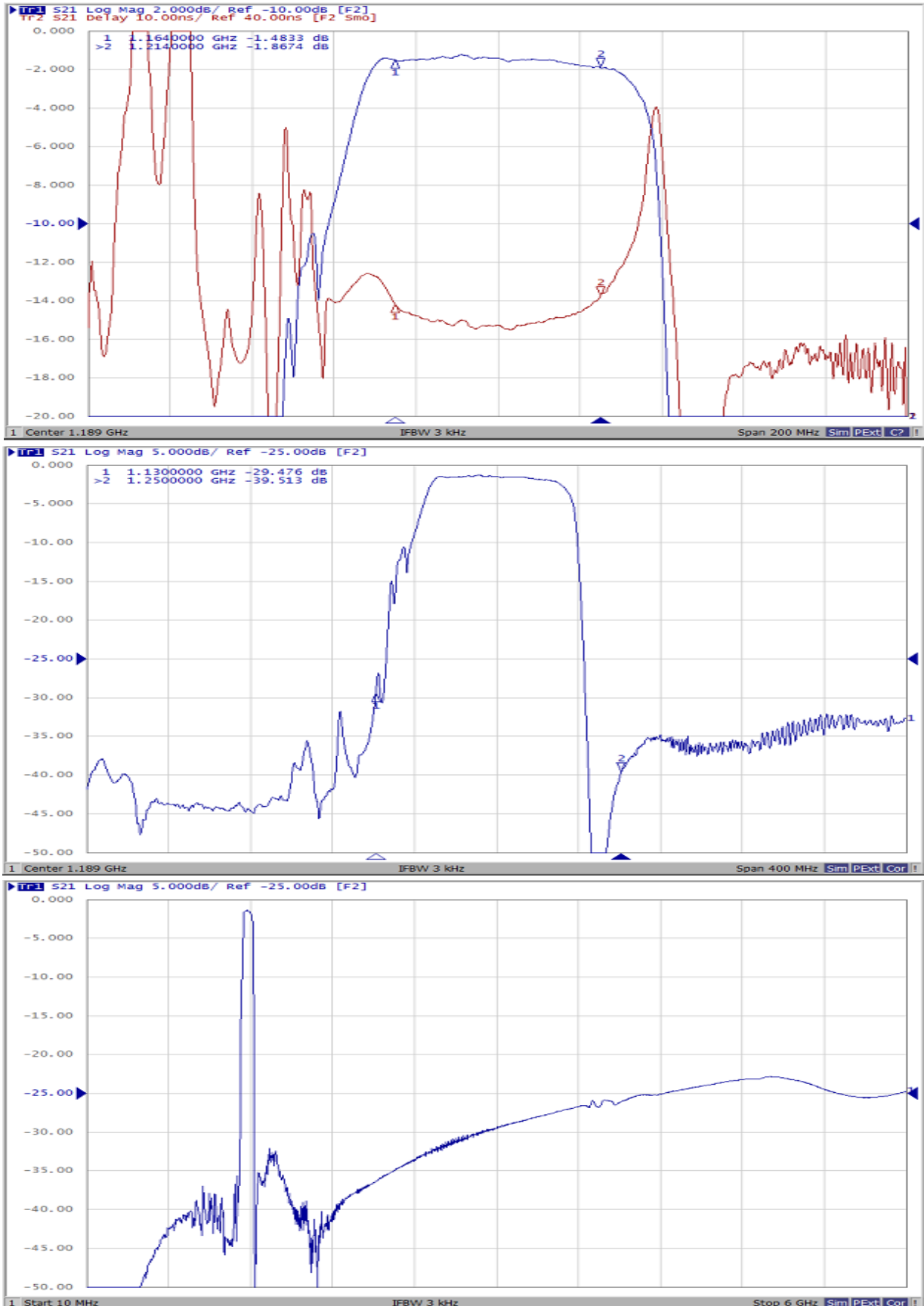
E. PCB FOOTPRINT:



SAW Filter 1189.0MHz
Part No: MP09089

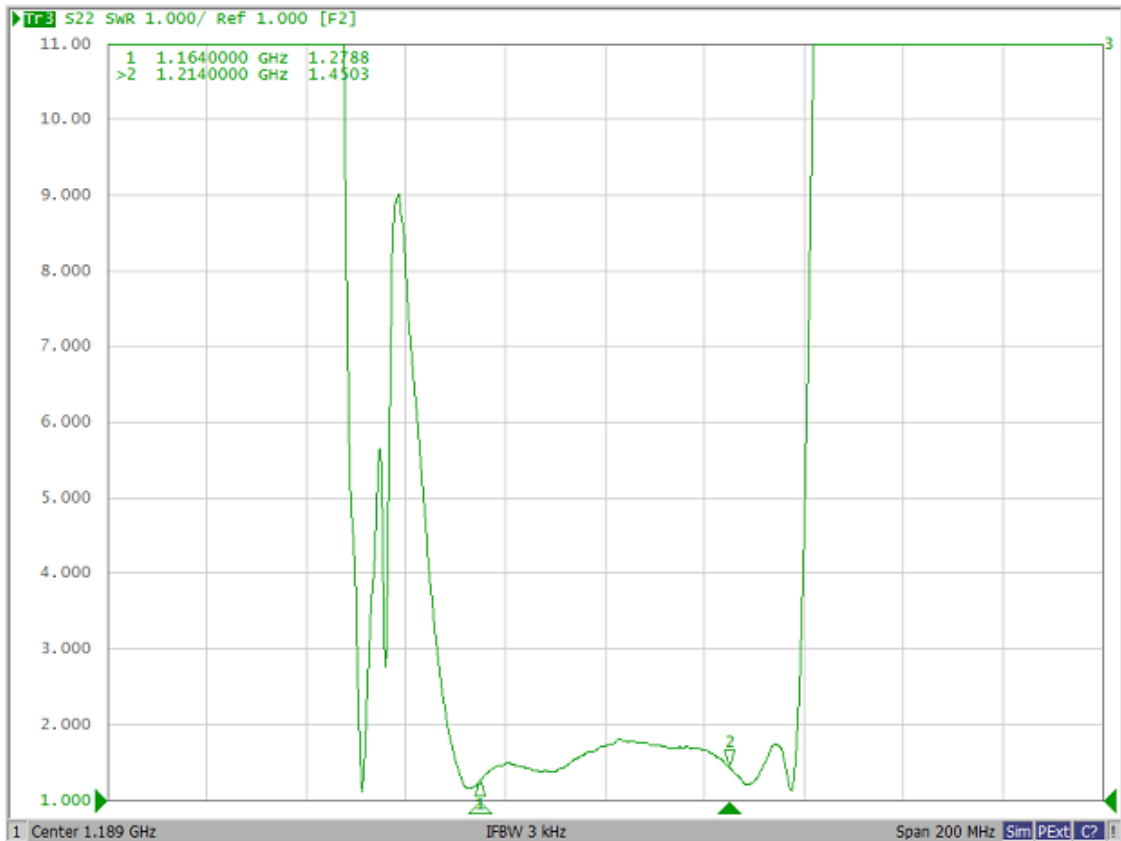
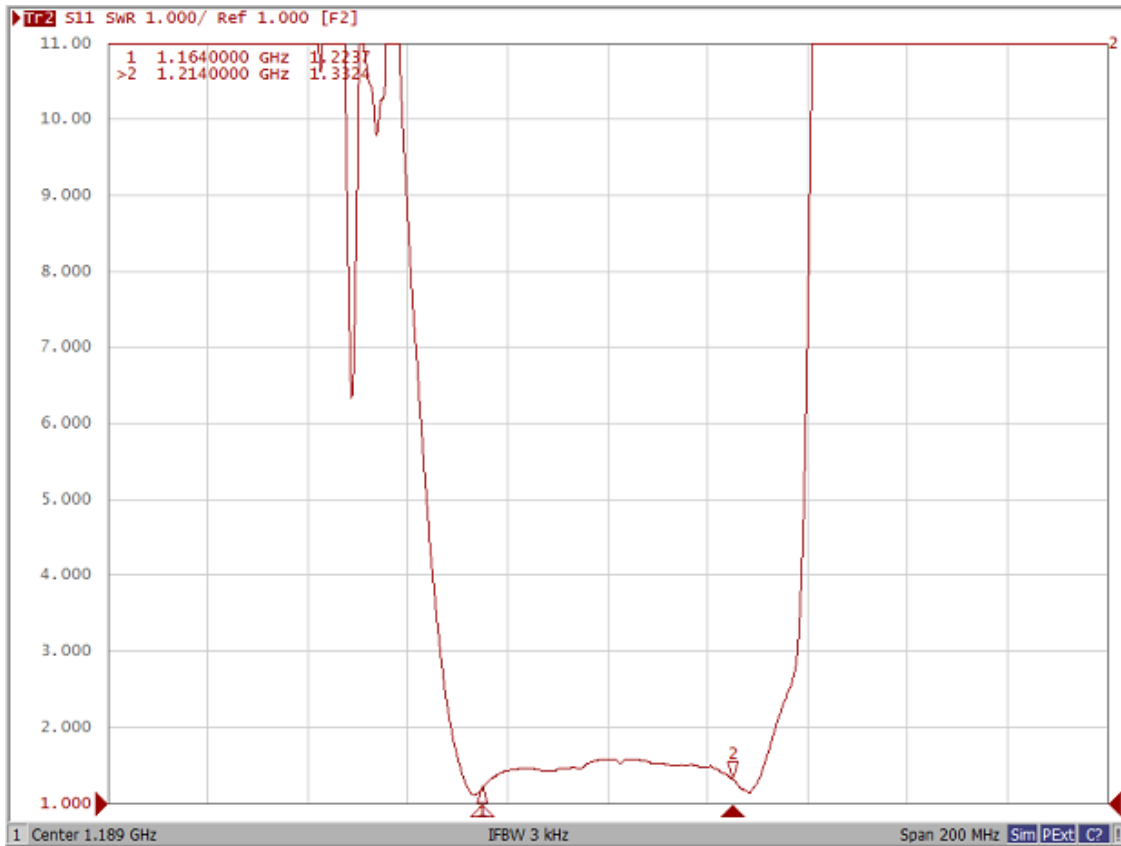
Model No: TA2448A
Rev No: 1

F. FREQUENCY CHARACTERISTICS:



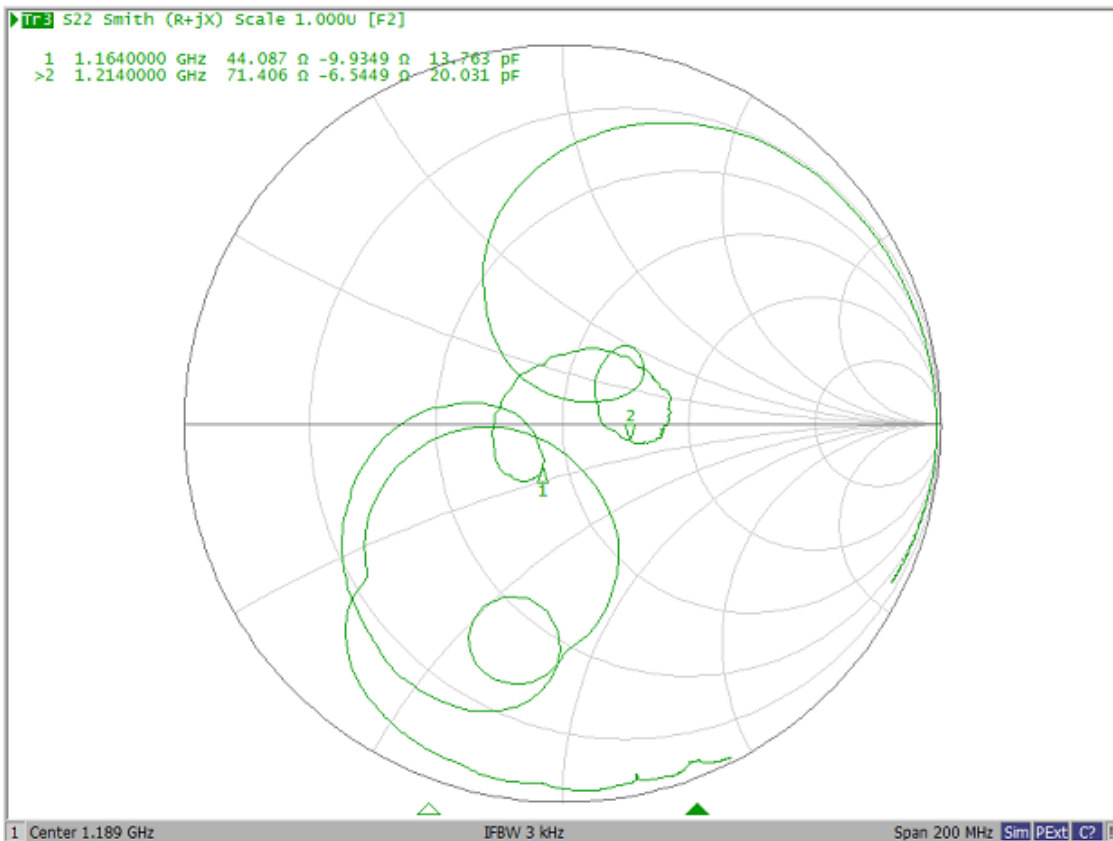
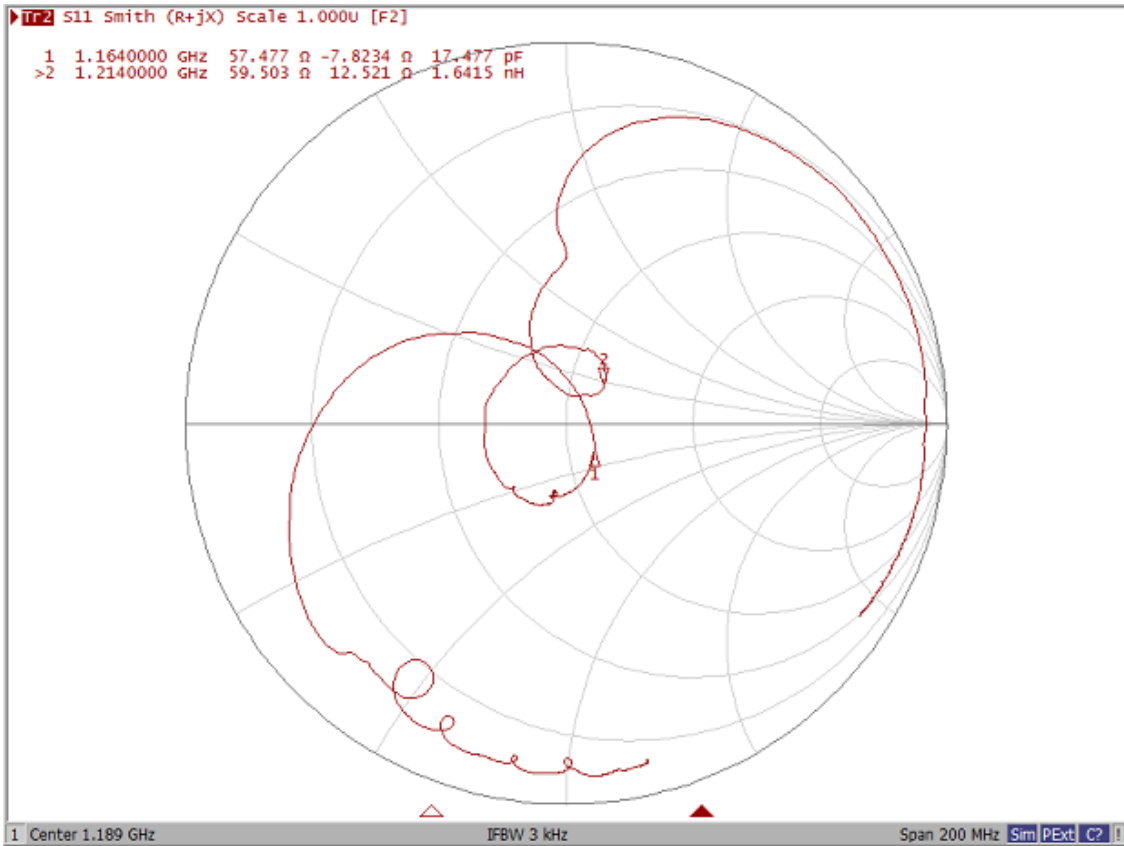
SAW Filter 1189.0MHz
Part No: MP09089

Model No: TA2448A
Rev No: 1



SAW Filter 1189.0MHz
Part No: MP09089

Model No: TA2448A
Rev No: 1

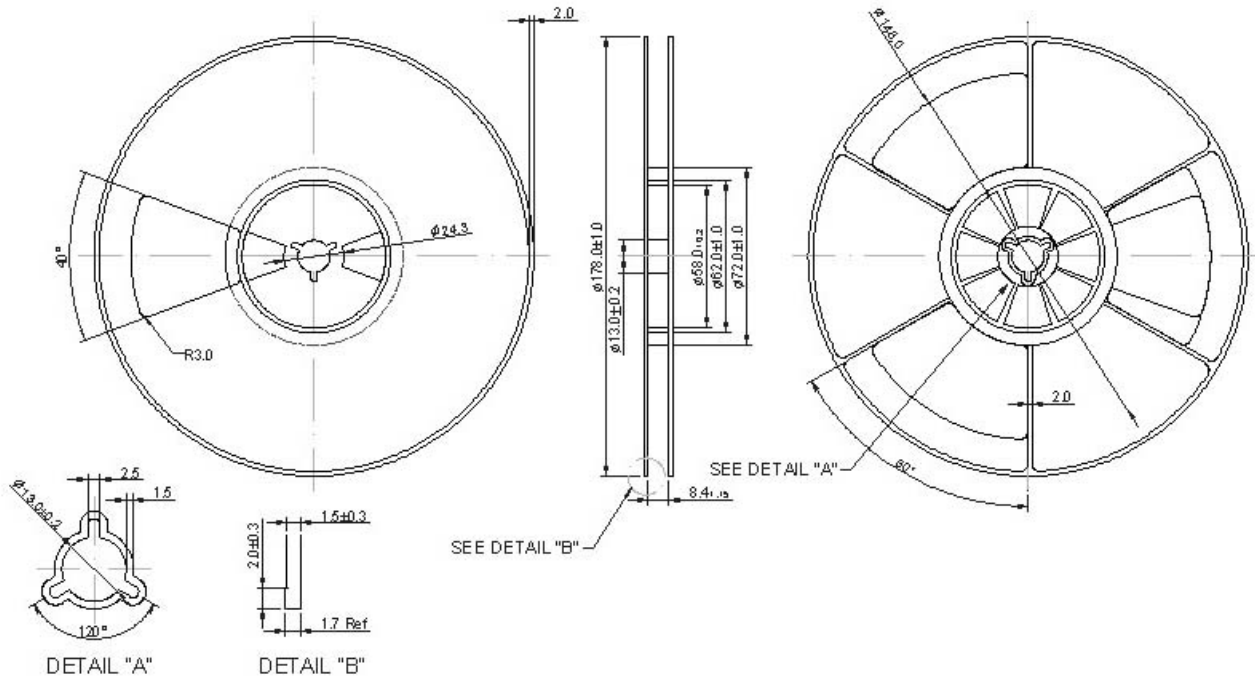


SAW Filter 1189.0MHz
Part No: MP09089

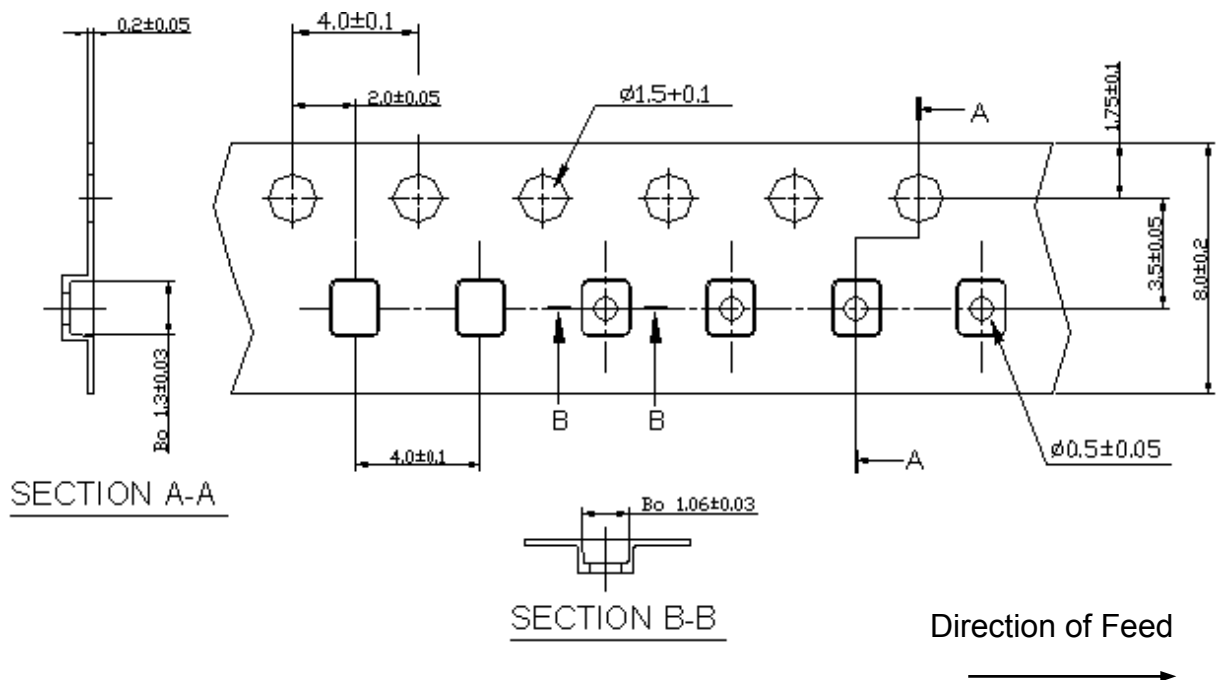
Model No: TA2448A
Rev No: 1

G. PACKING:

1. Reel Dimension



2. Tape Dimension



SAW Filter 1189.0MHz
Part No: MP09089

Model No: TA2448A
Rev No: 1

H. RECOMMENDED REFLOW PROFILE:

1. Preheating shall be fixed at 150 ~ 180°C for 60 ~ 90 seconds.
2. Ascending time to preheating temperature 150°C shall be 30 seconds min.
3. Heating shall be fixed at 220°C for 50 ~ 80 seconds and at 245 ~ 260°C peak (min. 10 sec).
4. Time: 2 times.

