

SAW Filter 1592.50MHz

Model: TA0676B

Part No: MP08978

Rev No: 1

A. MAXIMUM RATING:

Electrostatic Sensitive Device (ESD)

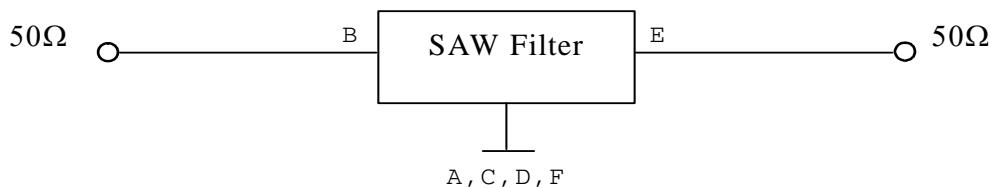
1. Input Power Level: 10dBm
2. DC Voltage: 3V
3. Operating Temperature: -40°C to +90°C
4. Storage Temperature: -55°C to +90°C

B. ELECTRICAL CHARACTERISTICS:

Item	Unit	Min.	Typ.	Max.	Note
Center Frequency Fc	MHz	-	1592.5	-	-
Insertion Loss (1571 ~ 1614MHz) IL	dB	-	2.6	3.5	-
Amplitude Ripple (1571 ~ 1614MHz)	dB	-	1.3	2	-
Bandwidth @-2dB	dB	43	49	-	-
Bandwidth @-20dB	dB	-	74	120	-
Bandwidth @-35dB	dB	-	88	140	-
Attenuation (Reference level from 0dB)					
D.C. ~ 1522.5MHz	dB	28	34	-	-
1662.5 ~ 3000MHz	dB	30	38	-	-

C. MEASUREMENT CIRCUIT:

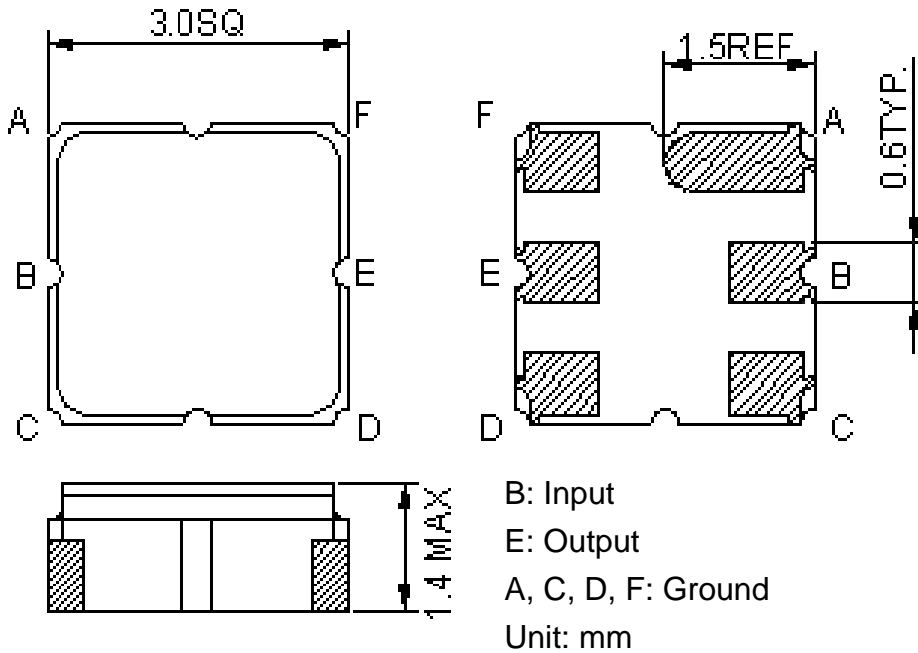
HP Network analyzer



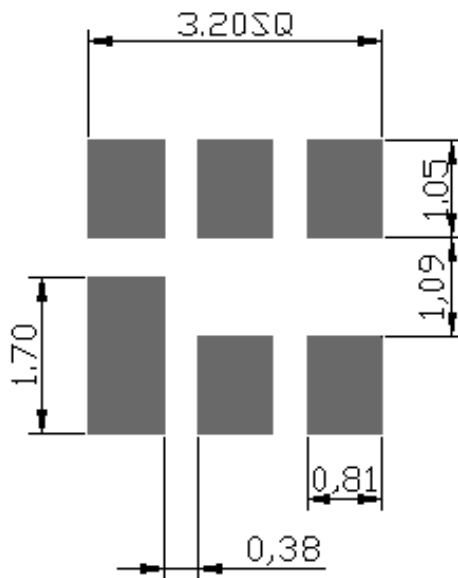
SAW Filter 1592.50MHz
Part No: MP08978

Model: TA0676B
Rev No: 1

D. OUTLINE DRAWING:



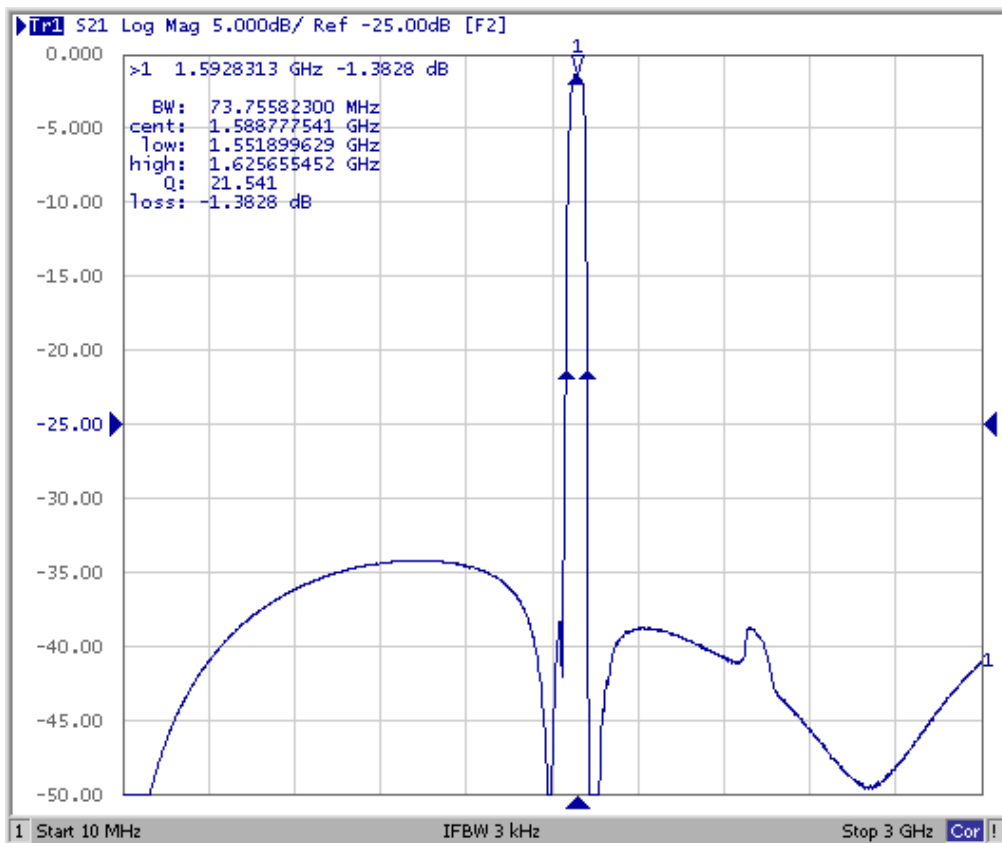
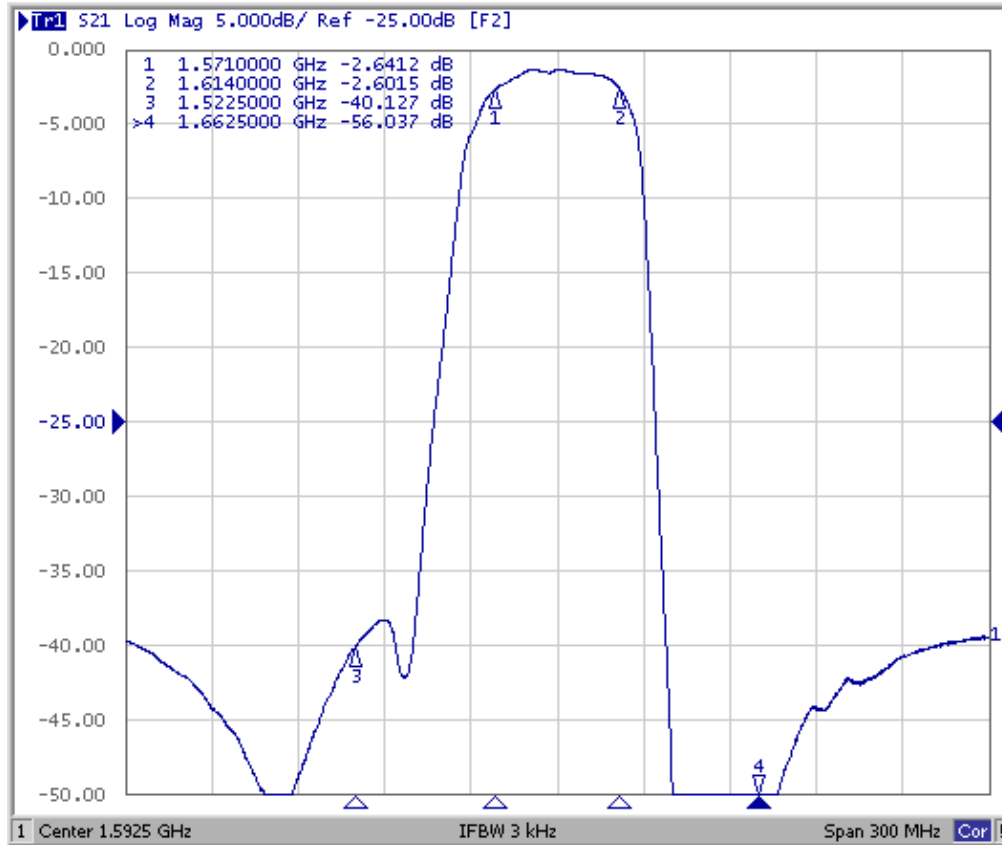
E. PCB FOOTPRINT:



SAW Filter 1592.50MHz
Part No: MP08978

Model: TA0676B
Rev No: 1

F. FREQUENCY CHARACTERISTICS:

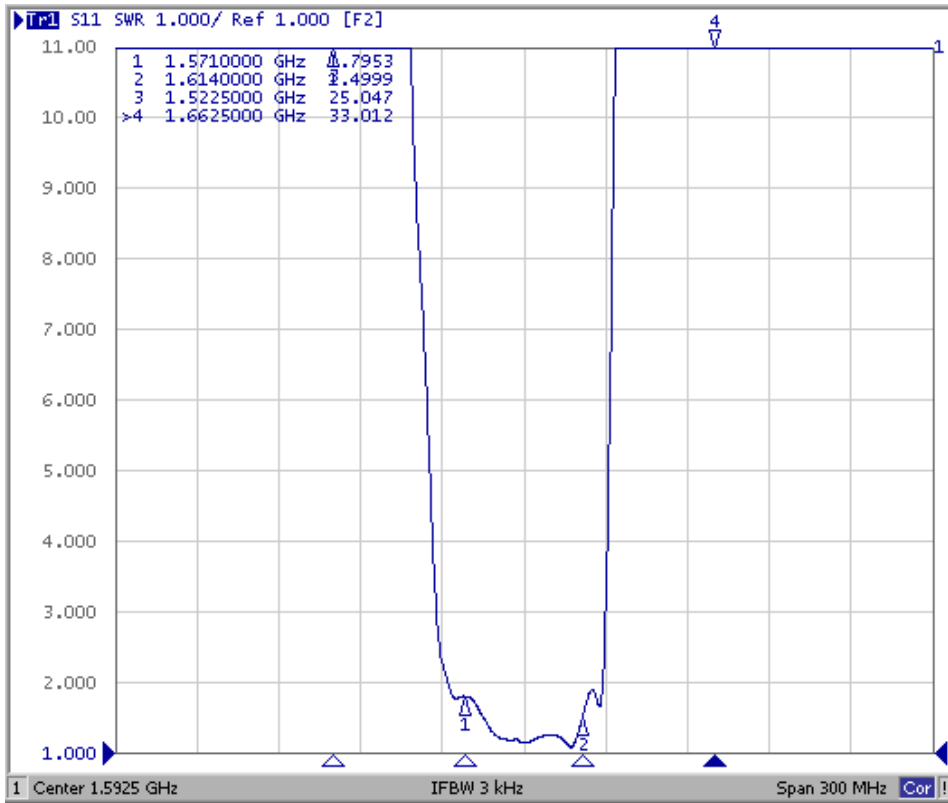


SAW Filter 1592.50MHz
Part No: MP08978

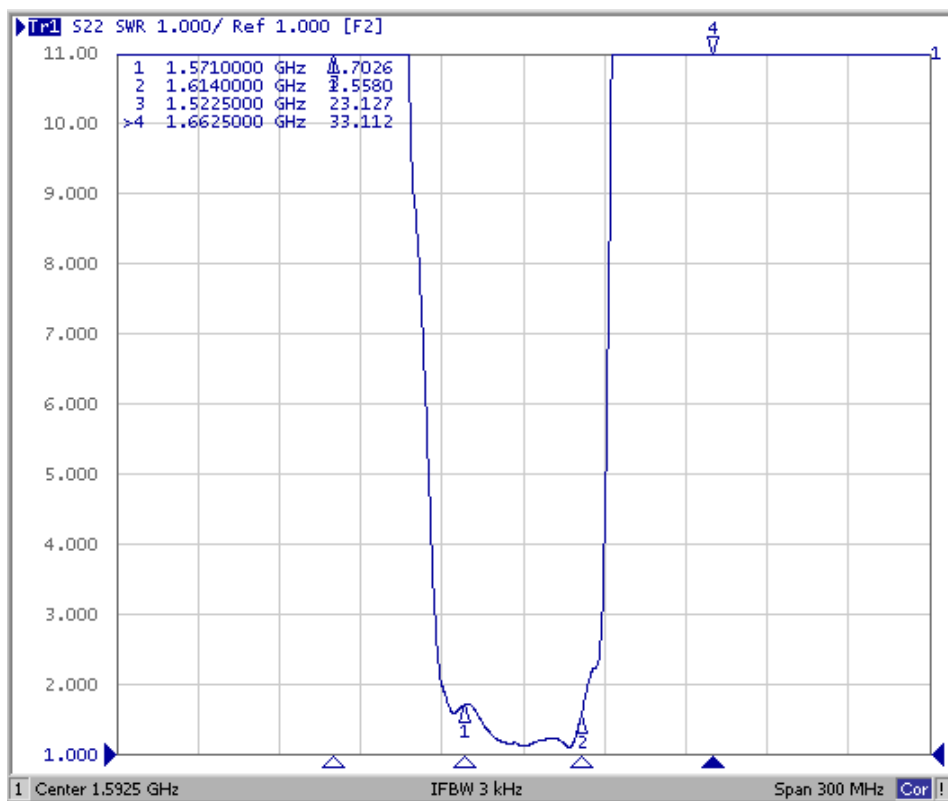
Model: TA0676B
Rev No: 1

Reflection Functions

S11



S22

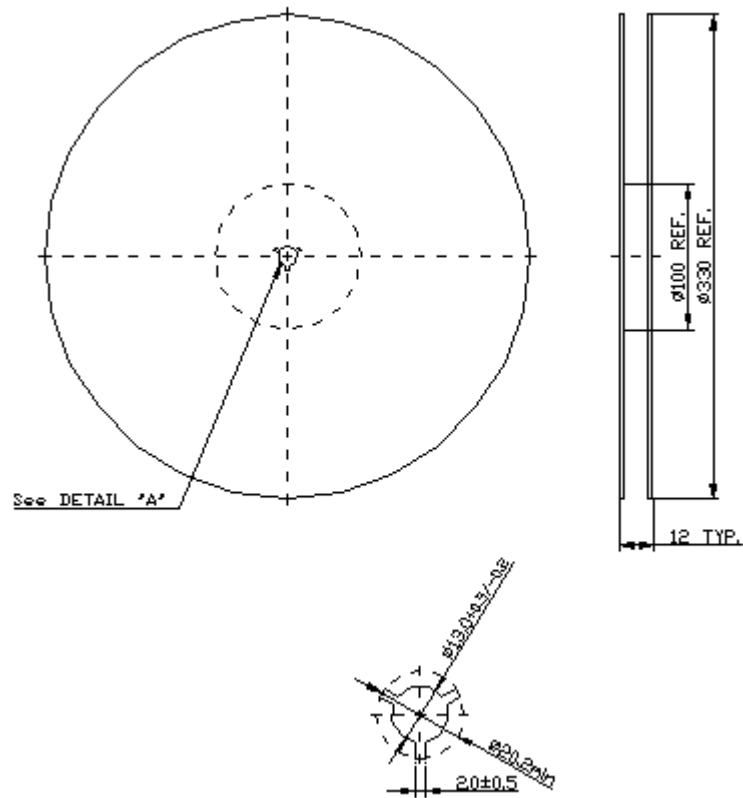


SAW Filter 1592.50MHz
Part No: MP08978

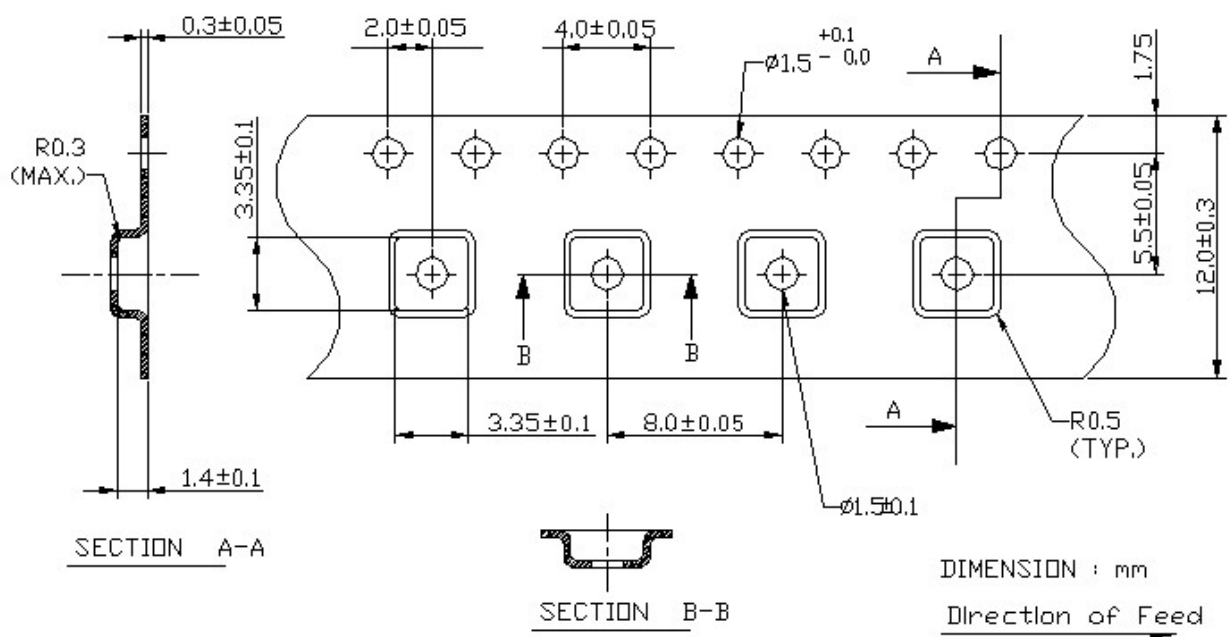
Model: TA0676B
Rev No: 1

G. PACKING:

1. Reel Dimension



2. Tape Dimension



SAW Filter 1592.50MHz
Part No: MP08978

Model: TA0676B
Rev No: 1

H. RECOMMENDED REFLOW PROFILE:

1. Preheating shall be fixed at 150 ~ 180°C for 60 ~ 90 seconds.
2. Ascending time to preheating temperature 150°C shall be 30 seconds min.
3. Heating shall be fixed at 220°C for 50 ~ 80 seconds and at 245 ~ 260°C peak (min. 10 sec).
4. Time: 2 times.

