

SAW Filter 2441.750MHz
Part No: MP08541

Model: TA2269A
Rev No: 2

A. MAXIMUM RATING:

Electrostatic Sensitive Device (ESD)

1. Input Power Level: 13dBm
2. DC Voltage: 3V
3. Operating Temperature: -30°C to +85°C
4. Storage Temperature: -40°C to +105°C
5. Moisture Sensitivity Level: Level 3 (MSL3)

B. ELECTRICAL CHARACTERISTICS:

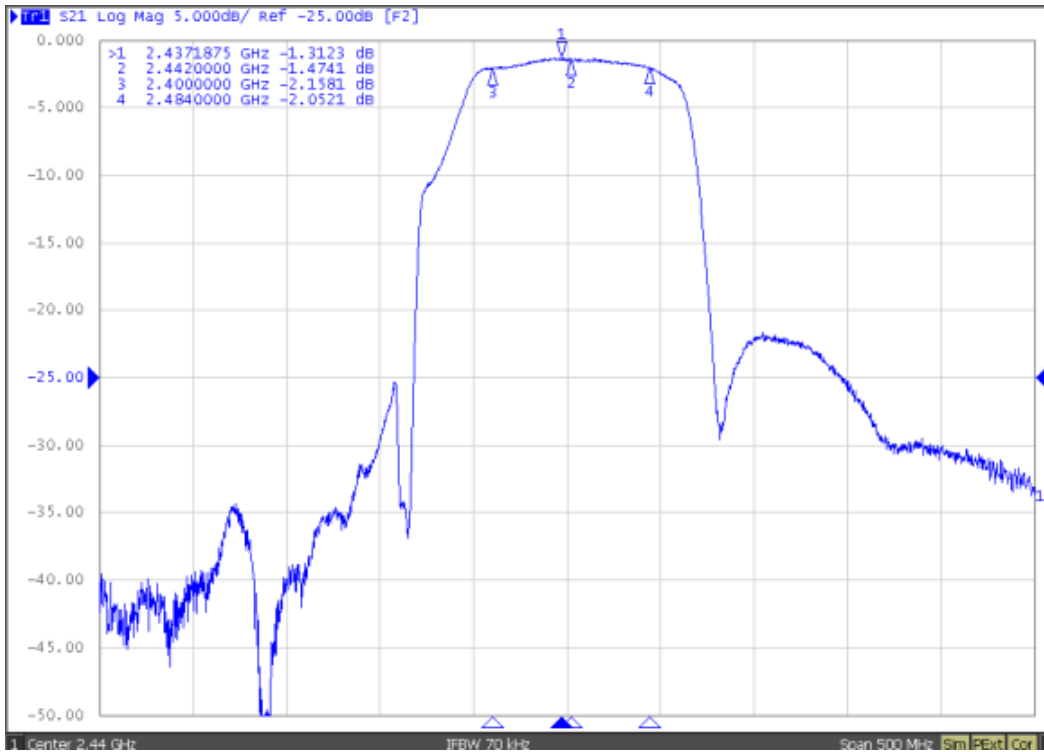
| Item | Unit | Min | Typ. | Max |
|------------------------------------|--------|---------------|---------|-----|
| Center Frequency Fc | MHz | - | 2441.75 | - |
| Insertion Loss IL 2400 ~ 2483.5MHz | dB | | 2.2 | 2.6 |
| Amplitude ripple 2400 ~ 2483.5MHz | | | 0.7 | 1.5 |
| VSWR 2400 ~ 2483.5MHz | | | 2.0 | 2.2 |
| Attenuation | | | | |
| 0.1 ~ 960MHz | dB | 30 | 35 | |
| 1570 ~ 1990MHz | dB | 30 | 33 | |
| 2110 ~ 2170MHz | dB | 38 | 43 | |
| 2170 ~ 2300MHz | dB | 29 | 34 | |
| 2300 ~ 2320MHz | dB | 29 | 34 | |
| 2320 ~ 2345MHz | dB | 23 | 28 | |
| 2345 ~ 2365MHz | dB | 5 | 10 | |
| 2550 ~ 2800MHz | dB | 15 | 20 | |
| 2800 ~ 4000MHz | dB | 30 | 35 | |
| 4000 ~ 5000MHz | dB | 30 | 33 | |
| Temperature coefficient | ppm/°C | -36 | | |
| Package size | mm | SMD 1.1 x 0.9 | | |

SAW Filter 2441.750MHz
Part No: MP08541

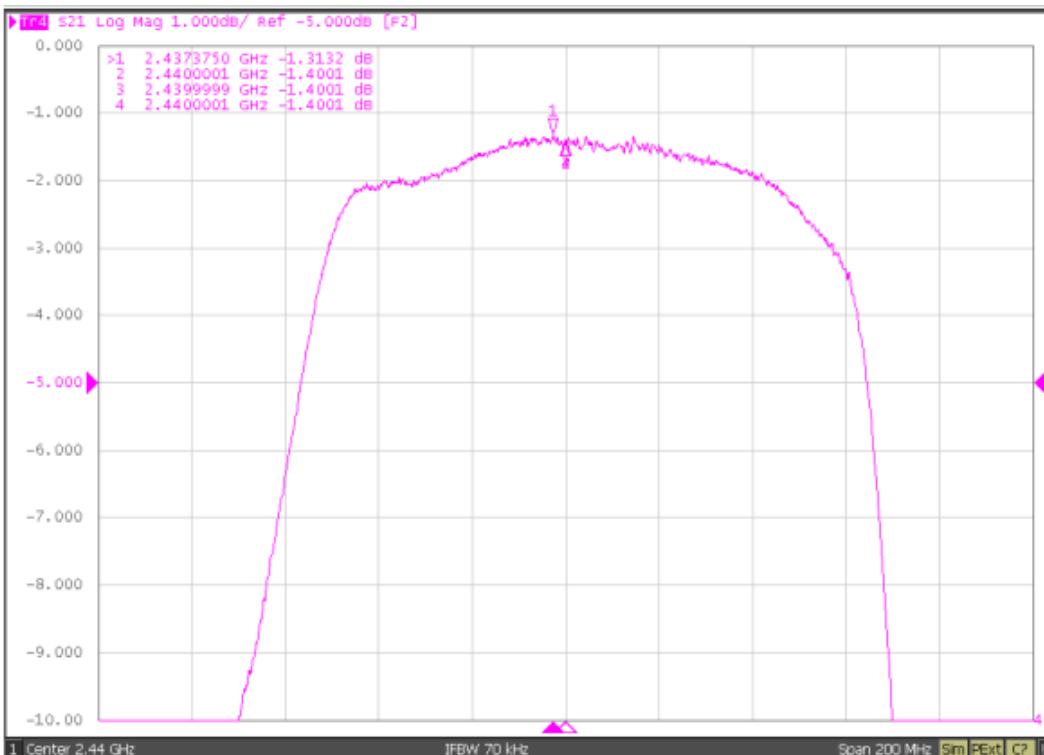
Model: TA2269A
Rev No: 2

C.FREQUENCY CHARACTERISTICS:

1. S21 response: (span 500MHz)



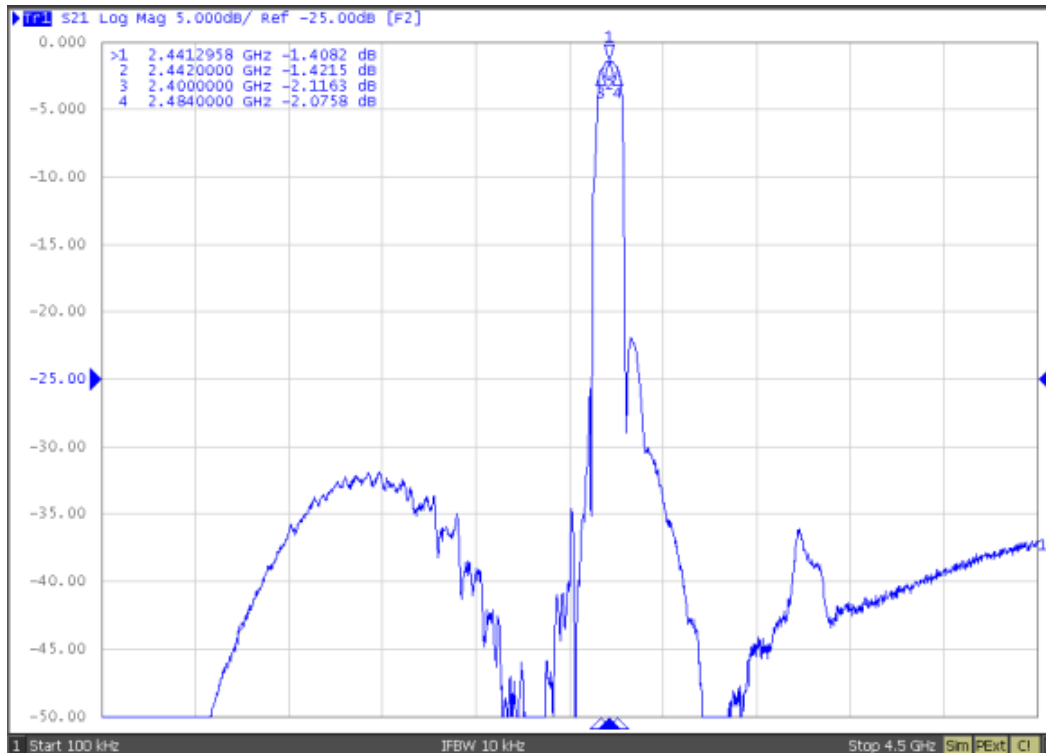
2. S21 response: (span 200MHz)



SAW Filter 2441.750MHz
Part No: MP08541

Model: TA2269A
Rev No: 2

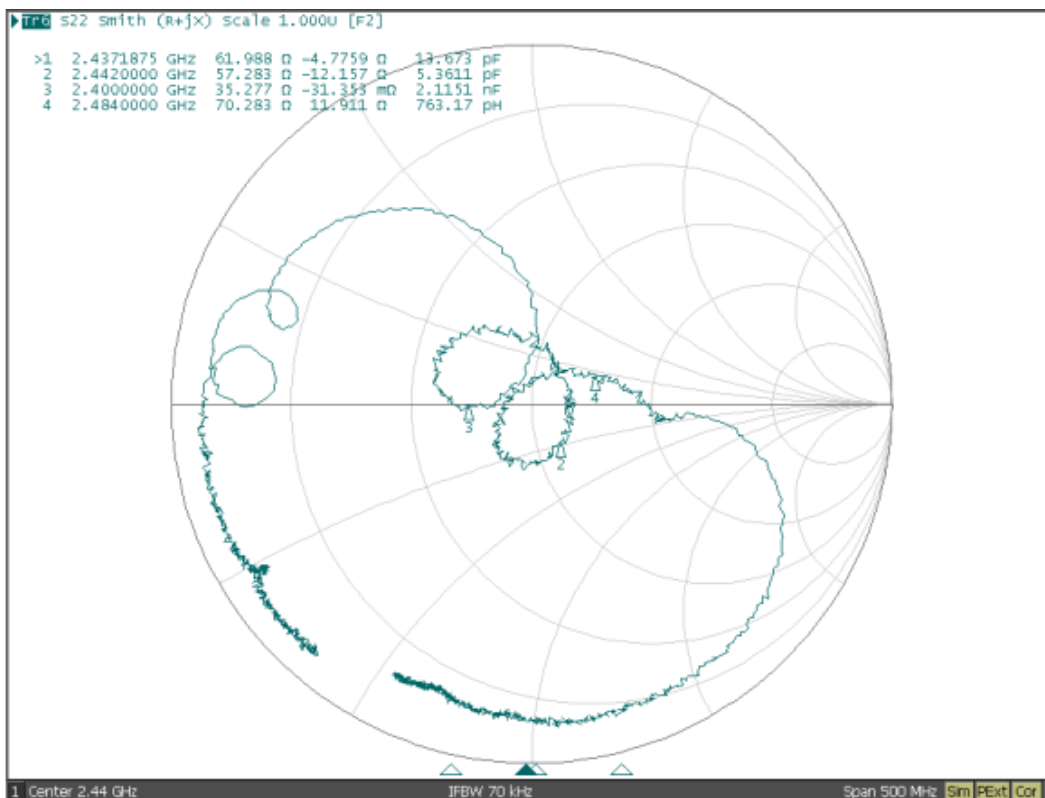
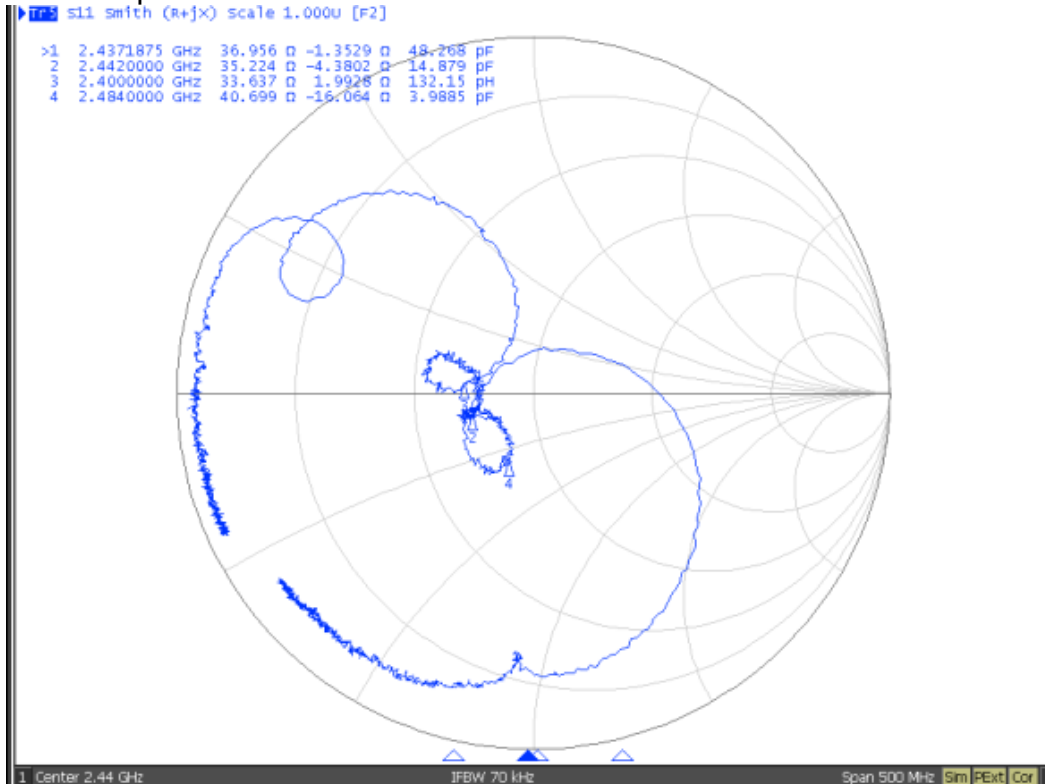
3. S21 response: (span 4.5GHz)



SAW Filter 2441.750MHz
Part No: MP08541

Model: TA2269A
Rev No: 2

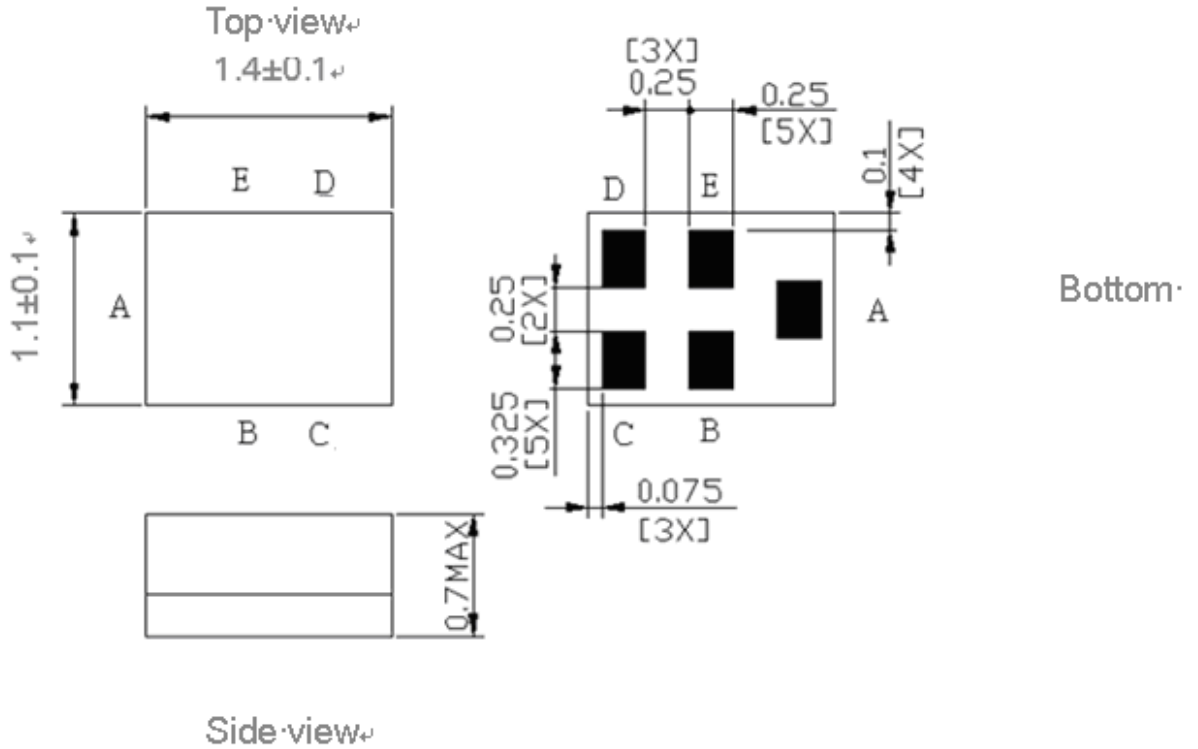
4. S11/S22 response:



SAW Filter 2441.750MHz
Part No: MP08541

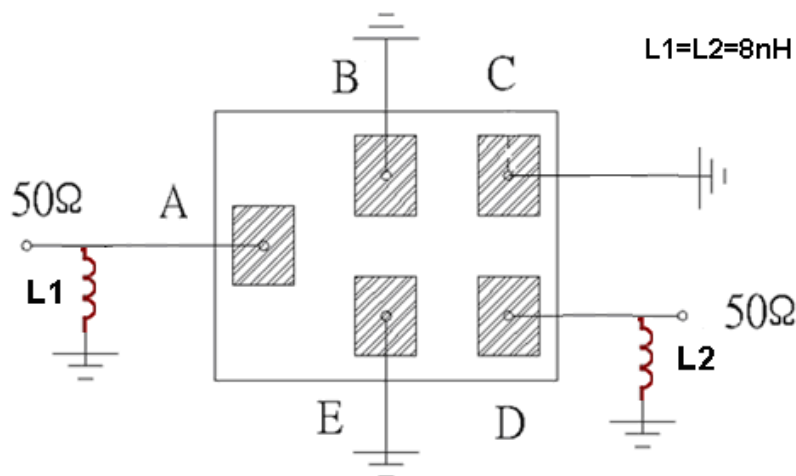
Model: TA2269A
Rev No: 2

D. OUTLINE DRAWING:



B, C, E: Ground
 A: Input
 D: Output

E. MEASUREMENT CIRCUIT:

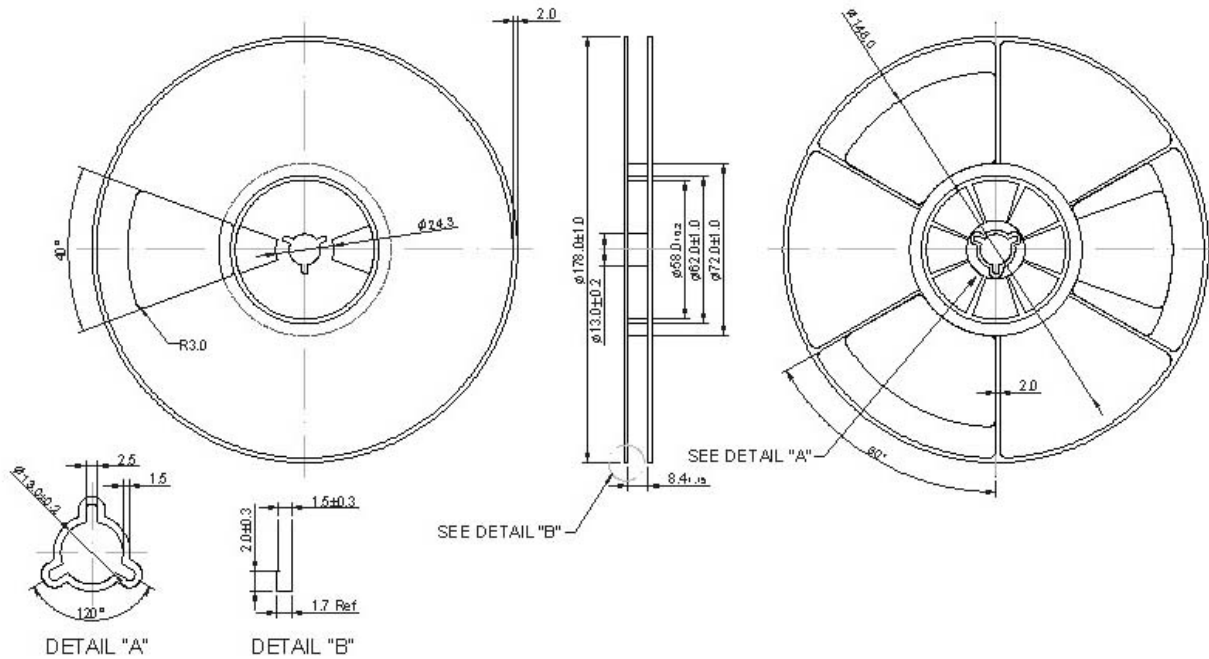


SAW Filter 2441.750MHz
Part No: MP08541

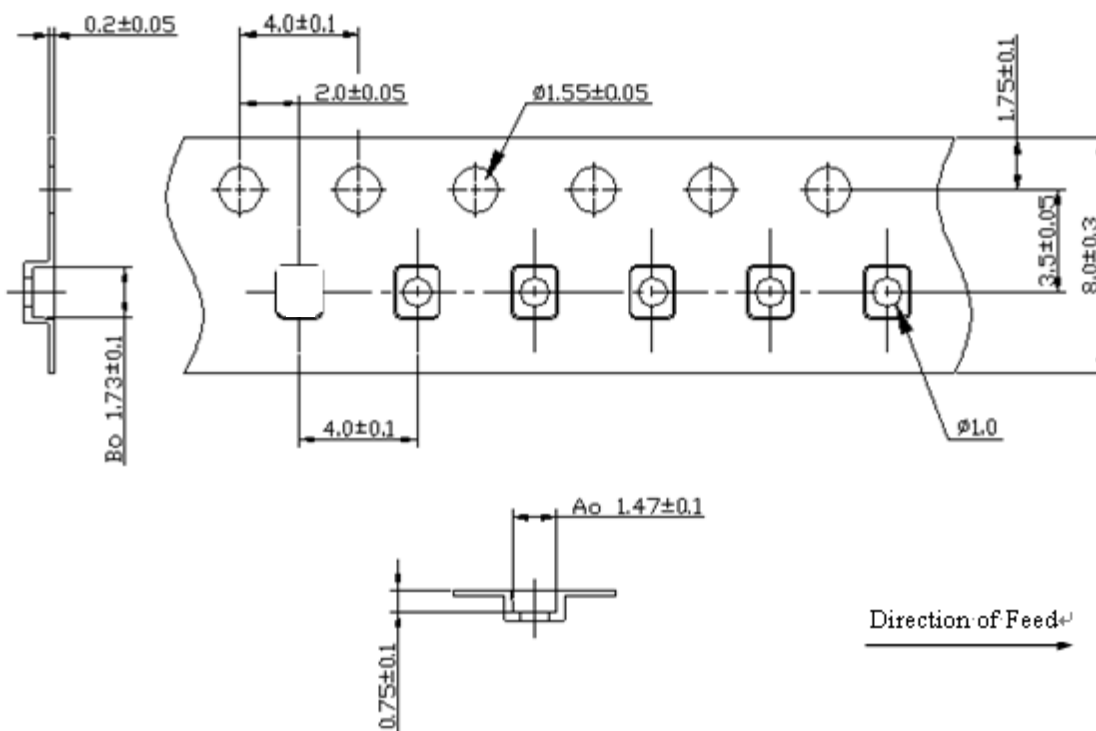
Model: TA2269A
Rev No: 2

F. PACKING:

1. Reel Dimension



2. Tape Dimension



SAW Filter 2441.750MHz
Part No: MP08541

Model: TA2269A
Rev No: 2

G. RECOMMENDED REFLOW PROFILE:

1. Preheating shall be fixed at 150 ~ 180°C for 60 ~ 90 seconds.
2. Ascending time to preheating temperature 150°C shall be 30 seconds min.
3. Heating shall be fixed at 220°C for 50 ~ 80 seconds and at 260°C +0/-5°C peak (20 ~ 40 sec).
4. Time: 2 times.

