

SAW Filter 869.0MHz
Part No: MP09060

Model No: TA2093A
Rev No: 1

A. MAXIMUM RATING:

Electrostatic Sensitive Device (ESD)

1. Input Power Level: 13dBm
2. DC Voltage: 6V
3. Operating Temperature: -20°C to +55°C
4. Storage Temperature: -40°C to +80°C

B. ELECTRICAL CHARACTERISTICS:

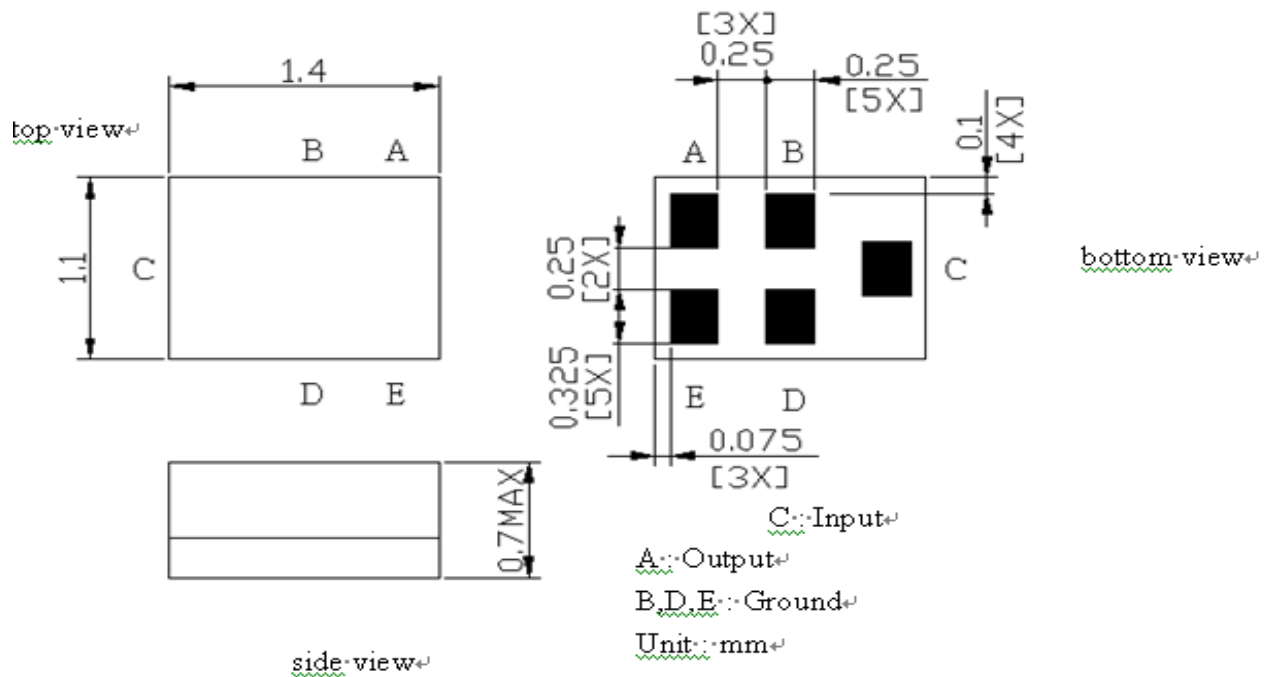
1. Terminating source impedance (single): $Z_S = 50\Omega$
2. Terminating load impedance (single): $Z_L = 50\Omega$

Item	Unit	Min	Typ.	Max
Center Frequency Fc	MHz	-	869.0	-
Insertion Loss (868 ~ 870MHz) IL	dB		3.0	3.5
VSWR (868 ~ 870MHz)			1.5	2.0
Amplitude ripple				
(868 ~ 870MHz)	dB		0.5	1.2
Attenuation				
50 ~ 791MHz	dB	45	50	
791 ~ 835MHz	dB	45	50	
835 ~ 848MHz	dB	43	48	
848 ~ 862MHz	dB	30	35	
880 ~ 883MHz	dB	35	45	
883 ~ 1000MHz	dB	49	54	
Package size	mm	SMD 1.4 x 1.1		

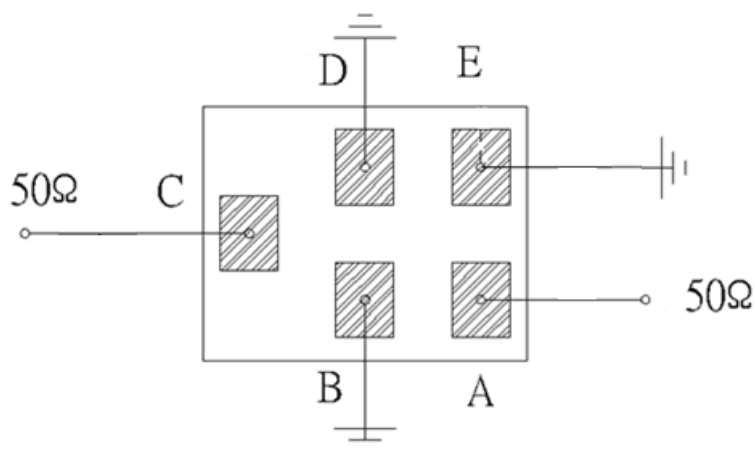
SAW Filter 869.0MHz
Part No: MP09060

Model No: TA2093A
Rev No: 1

C. OUTLINE DRAWING:



D. MEASUREMENT CIRCUIT:

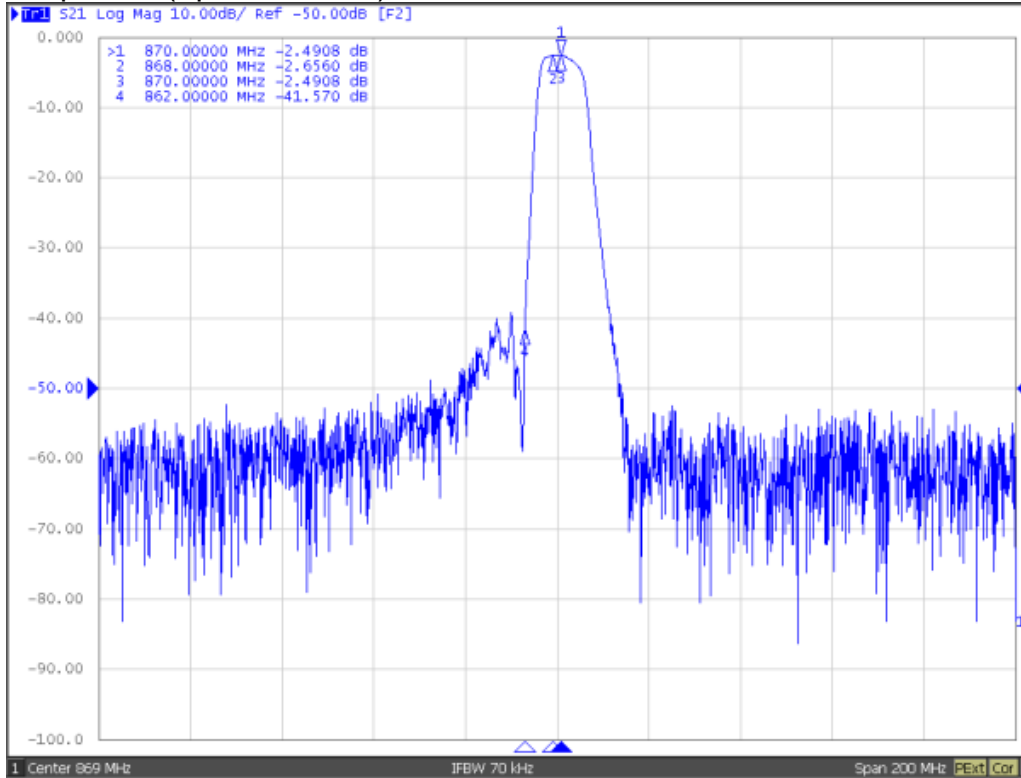


SAW Filter 869.0MHz
Part No: MP09060

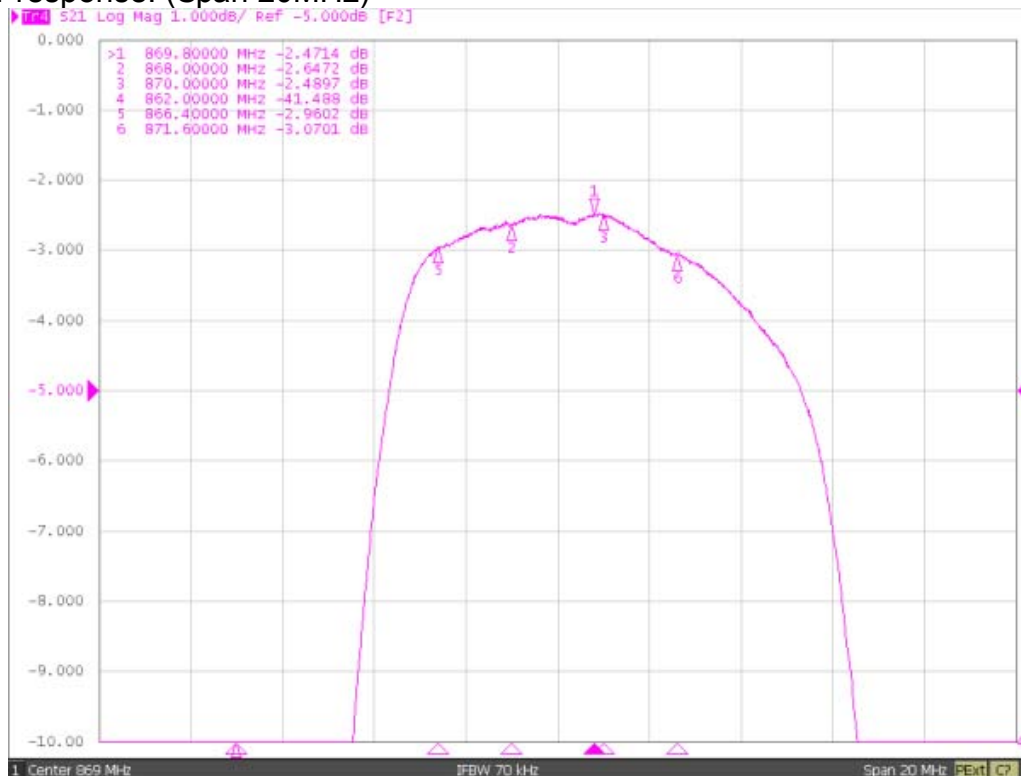
Model No: TA2093A
Rev No: 1

E. FREQUENCY CHARACTERISTICS:

1. S21 response: (Span 200MHz)



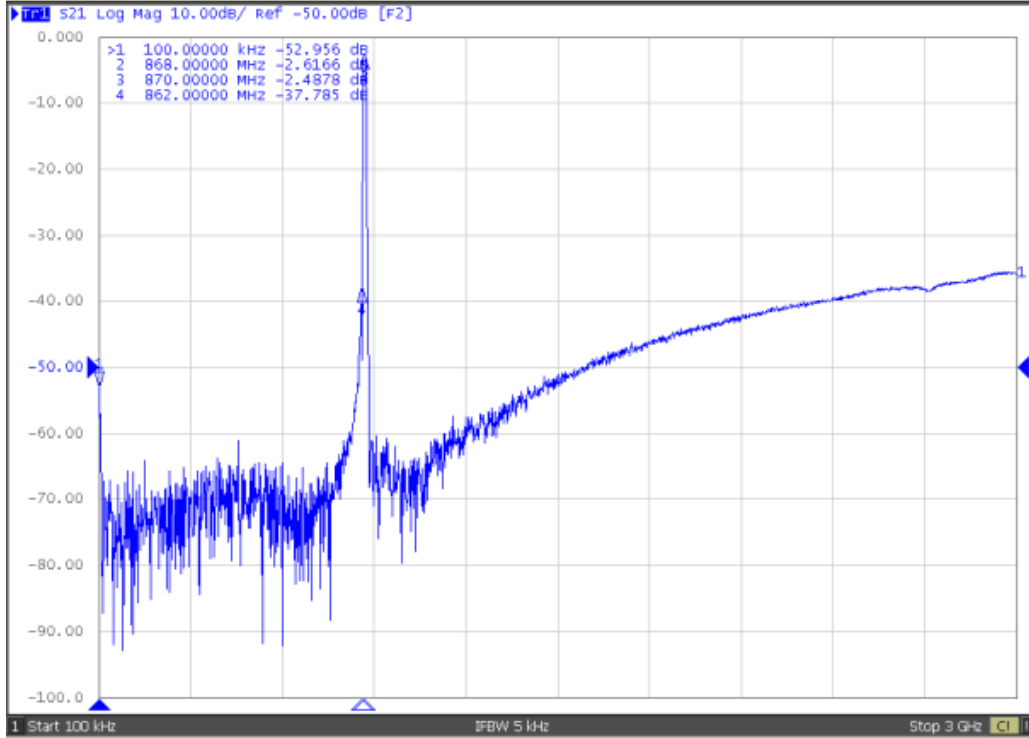
2. S21 response: (Span 20MHz)



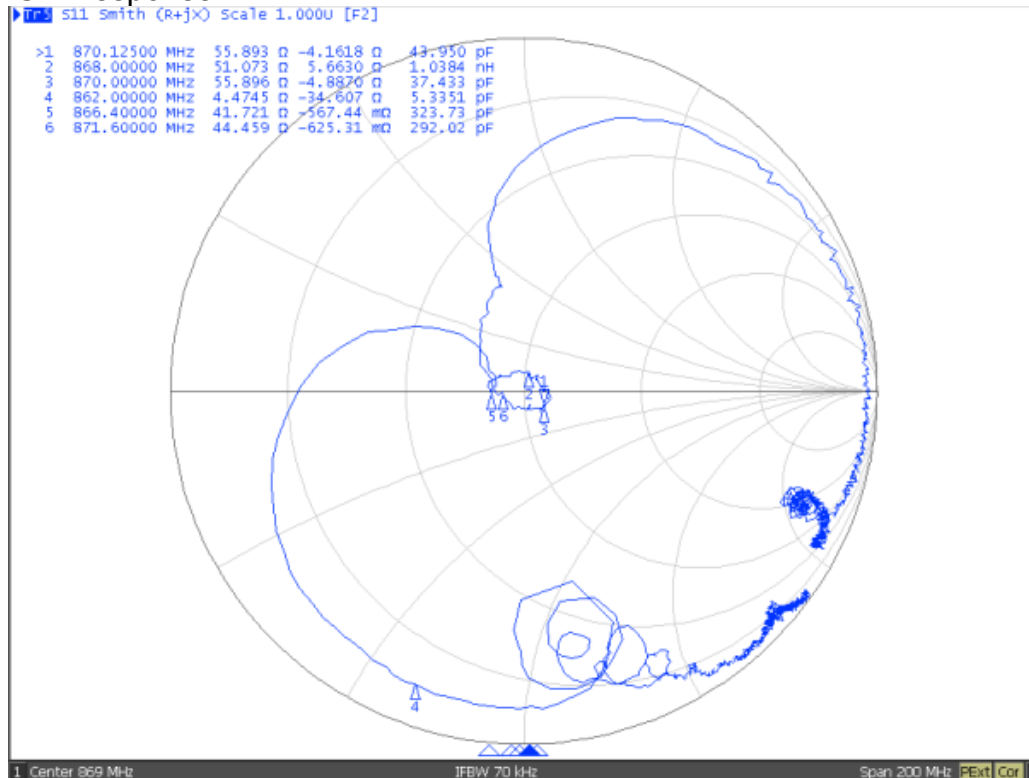
SAW Filter 869.0MHz
Part No: MP09060

Model No: TA2093A
Rev No: 1

3. S21 response: (Span 3GHz)

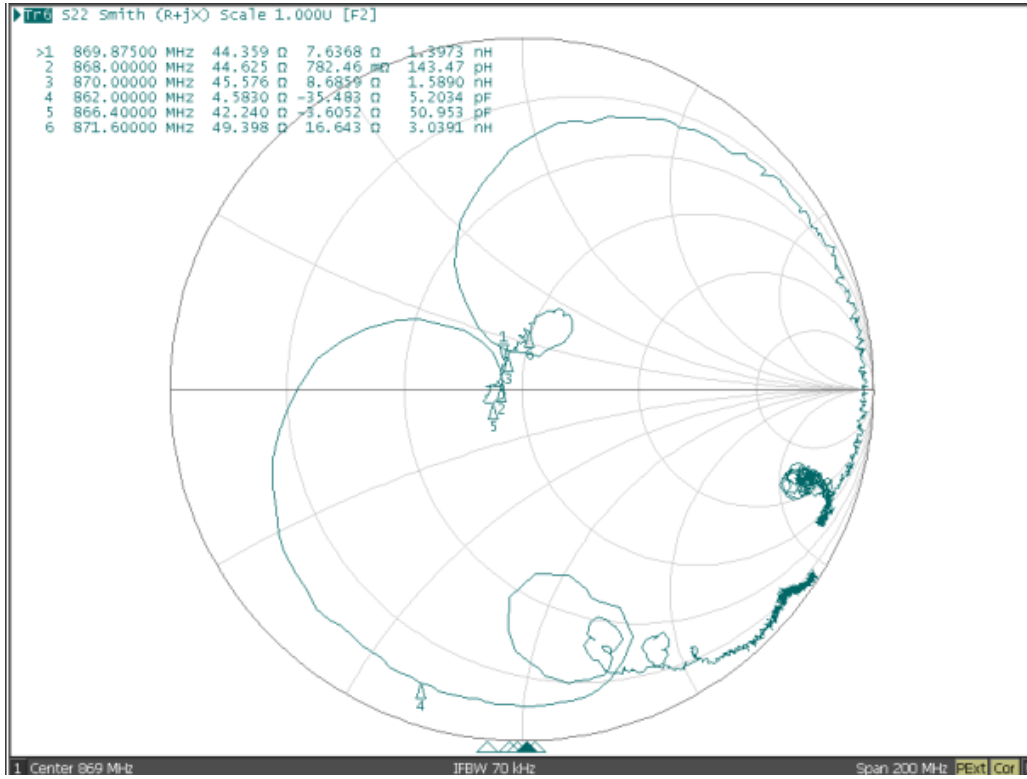


4. S11/S22 response:



SAW Filter 869.0MHz
Part No: MP09060

Model No: TA2093A
Rev No: 1

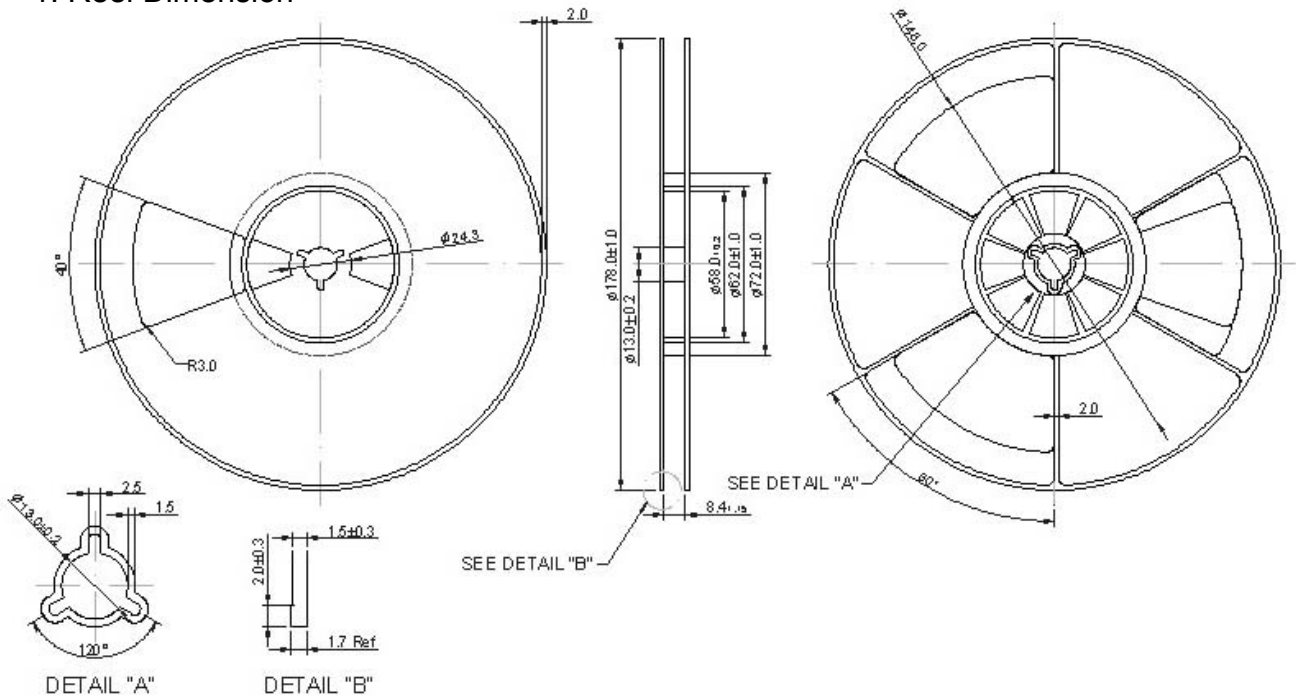


SAW Filter 869.0MHz
Part No: MP09060

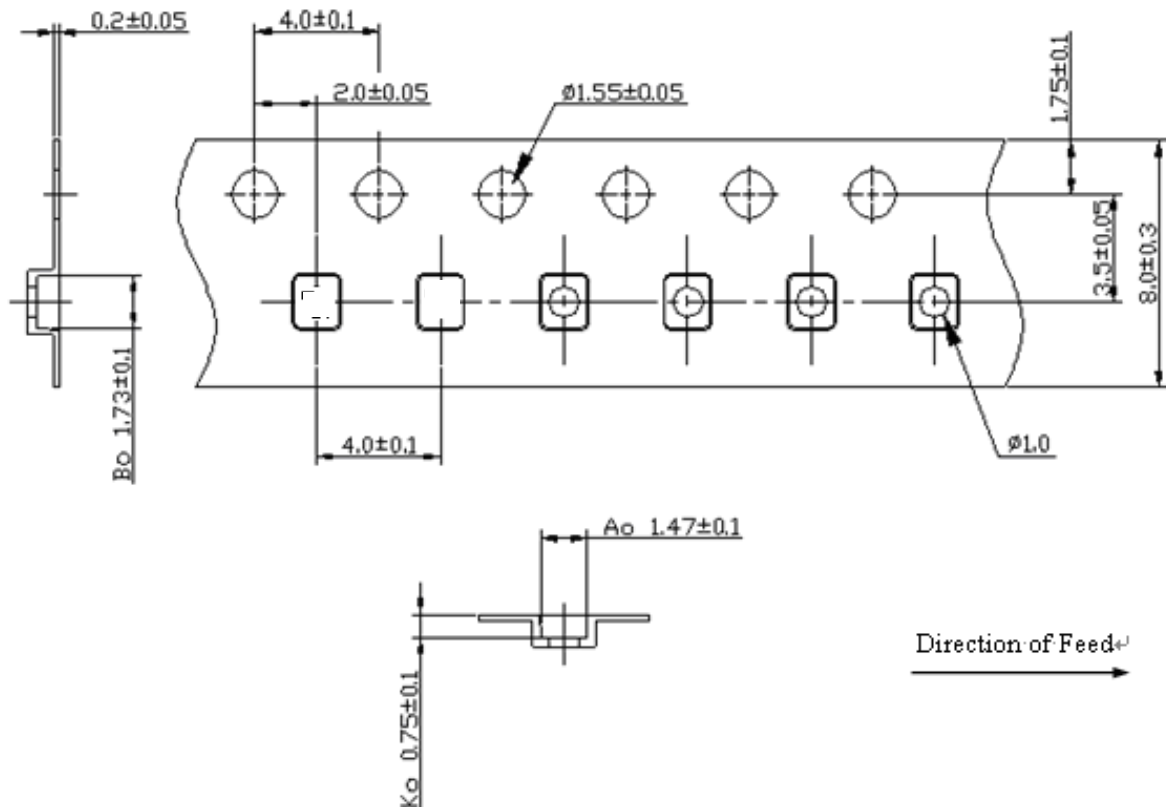
Model No: TA2093A
Rev No: 1

F. PACKING:

1. Reel Dimension



2. Tape Dimension



SAW Filter 869.0MHz
Part No: MP09060

Model No: TA2093A
Rev No: 1

G. RECOMMENDED REFLOW PROFILE:

1. Preheating shall be fixed at 150 ~ 180°C for 60 ~ 90 seconds.
2. Ascending time to preheating temperature 150°C shall be 30 seconds min.
3. Heating shall be fixed at 220°C for 50 ~ 80 seconds and at 260°C +0/-5°C peak (20 ~ 40 sec).
4. Time: 2 times.

