

SAW Filter 2492.0MHz
Part No: MP09080

Model No: TA2220A
Rev No: 1

A. MAXIMUM RATING:

Electrostatic Sensitive Device (ESD)

1. Input Power Level: 10dBm
2. DC voltage: 3V
3. Operating Temperature: -40°C to +85°C
4. Storage Temperature: -40°C to +85°C

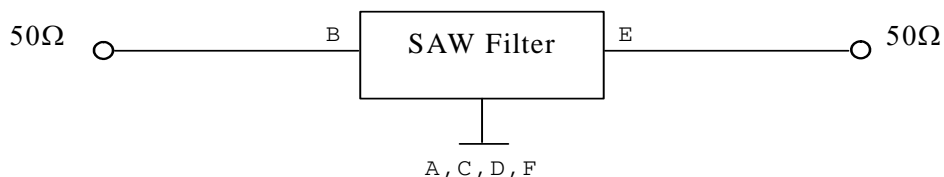
B. ELECTRICAL CHARACTERISTICS:

Temperature range for specification: 25°C

| Item | Unit | Min. | Typ. | Max. |
|--|------|------|------|------|
| Center frequency Fc | MHz | - | 2492 | - |
| Insertion Loss (2488 ~ 2496MHz) IL | dB | - | 5.8 | 8 |
| Amplitude Ripple (2488 ~ 2496MHz) | dB | - | 0.4 | 2.0 |
| 3 dB Bandwidth BW -3dB | MHz | 8 | 23 | - |
| Group Delay Ripple (2488 ~ 2496MHz) | ns | - | 12 | 25 |
| VSWR (2488 ~ 2496MHz) | - | - | 1.5 | 2.0 |
| Attenuation (Reference level from 0dB) | | | | |
| 10 ~ 1000MHz | dB | 45 | 62 | - |
| 1000 ~ 2000MHz | dB | 25 | 62 | - |
| 2000 ~ 2470MHz | dB | 15 | 27 | - |
| 2515 ~ 2520MHz | dB | 15 | 38 | - |
| 2520 ~ 3000MHz | dB | 20 | 50 | - |
| 3000 ~ 6000MHz | dB | 15 | 32 | - |

C. MEASUREMENT CIRCUIT:

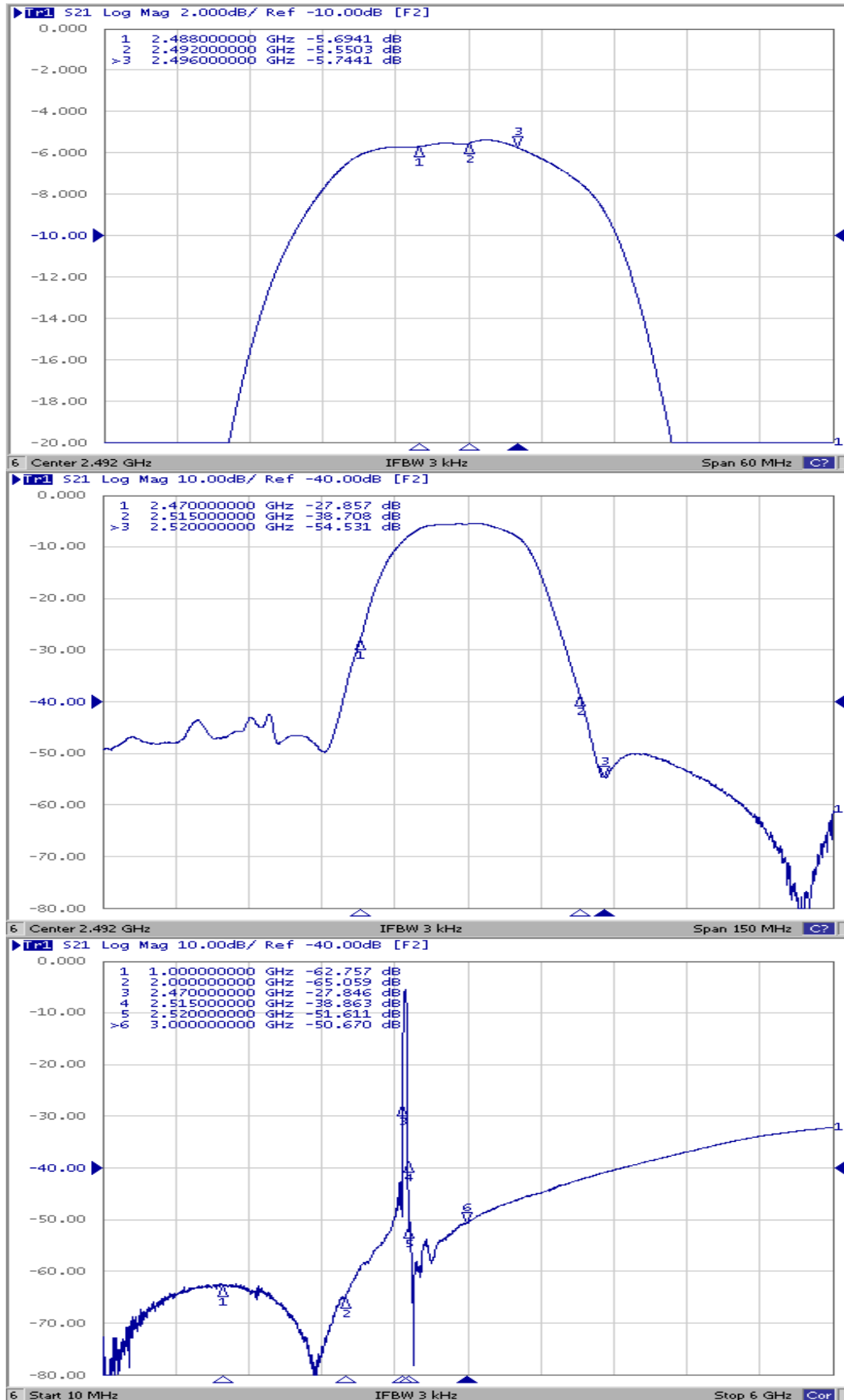
HP Network analyzer



SAW Filter 2492.0MHz
Part No: MP09080

Model No: TA2220A
Rev No: 1

D. FREQUENCY CHARACTERISTICS:

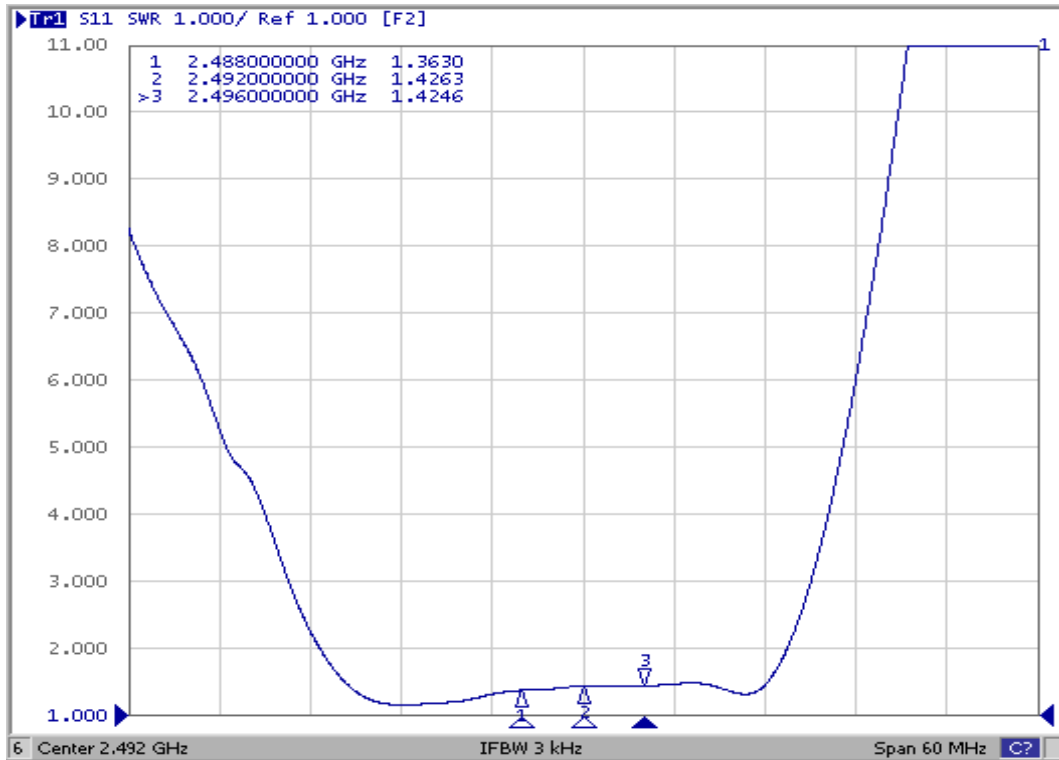


SAW Filter 2492.0MHz
Part No: MP09080

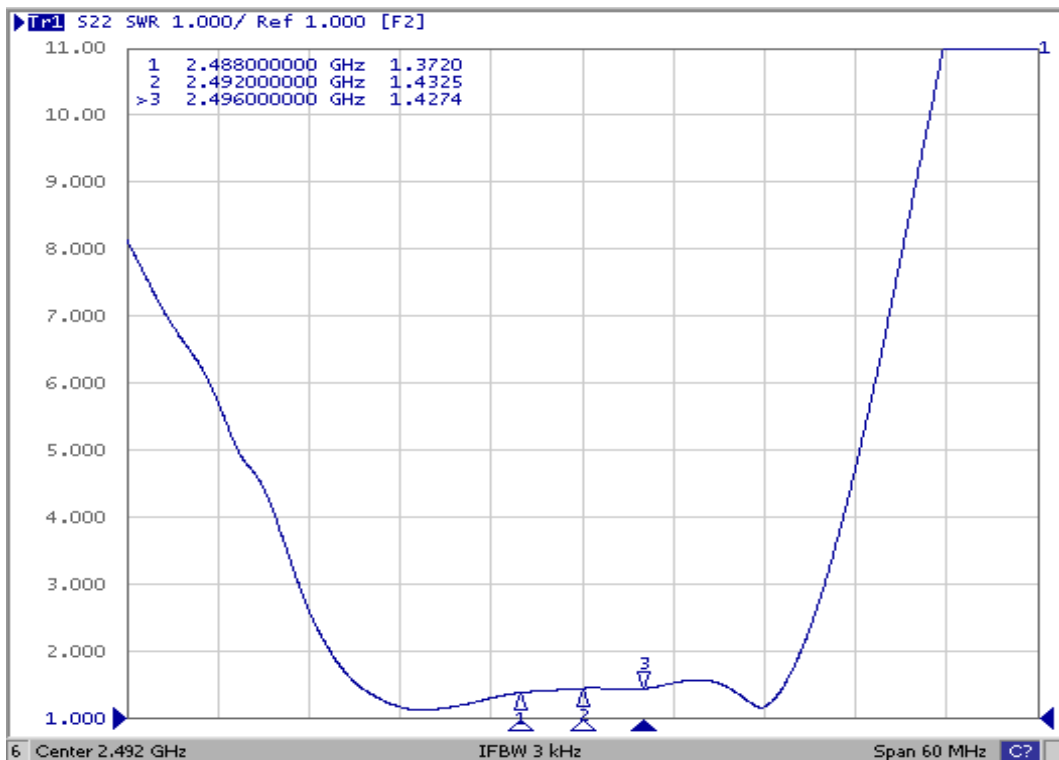
Model No: TA2220A
Rev No: 1

Reflection Functions

S11



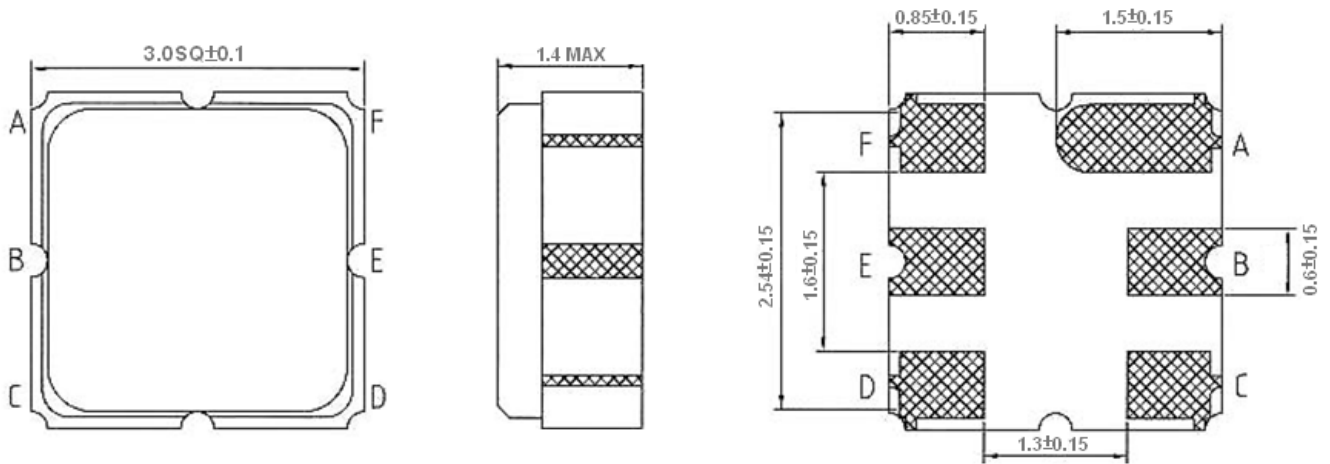
S22



SAW Filter 2492.0MHz
Part No: MP09080

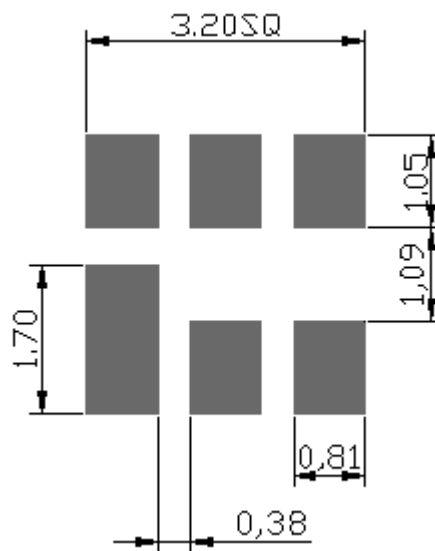
Model No: TA2220A
Rev No: 1

E. OUTLINE DRAWING:



B: Input
 E: Output
 A, C, D, F: Ground
 Unit: mm

F. PCB FOOTPRINT:

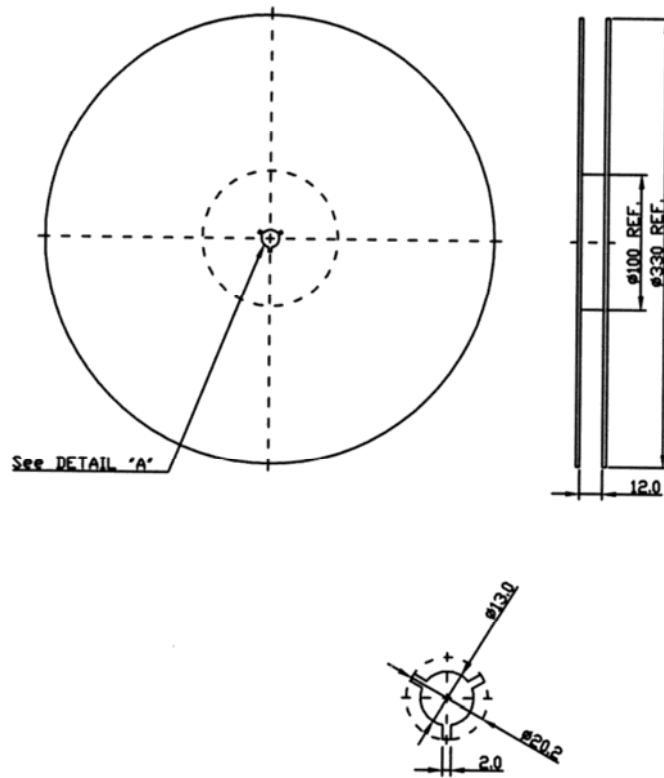


SAW Filter 2492.0MHz
Part No: MP09080

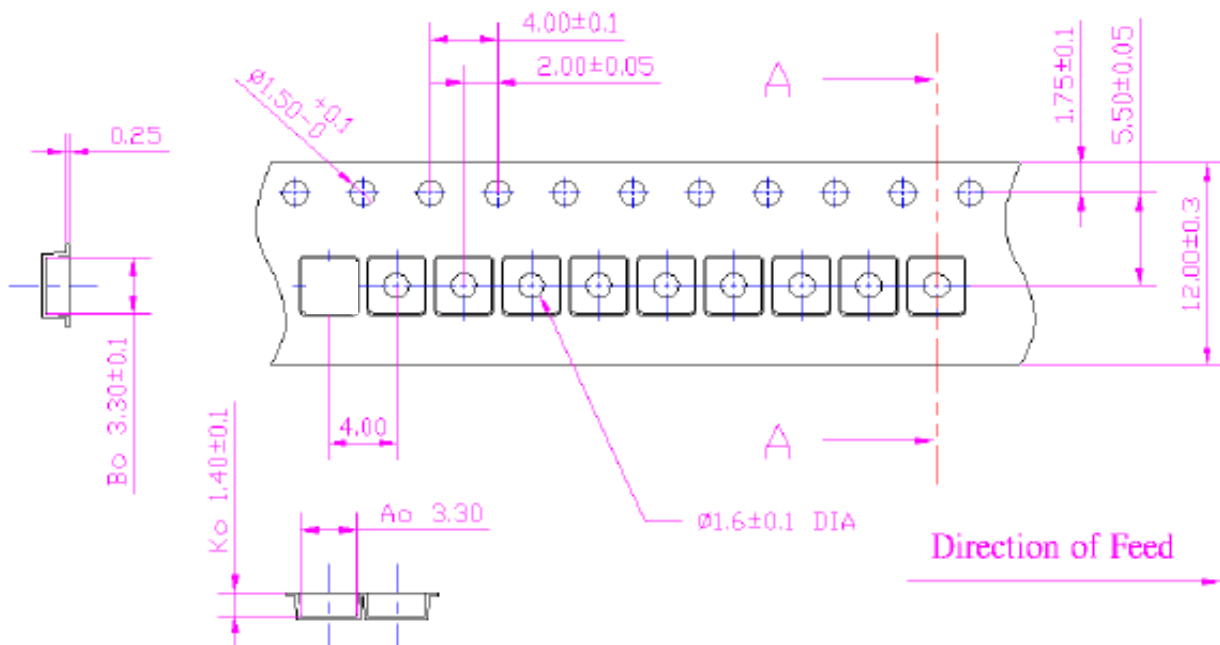
Model No: TA2220A
Rev No: 1

G. PACKING:

1. Reel Dimension



2. Tape Dimension



SAW Filter 2492.0MHz
Part No: MP09080

Model No: TA2220A
Rev No: 1

H. RECOMMENDED REFLOW PROFILE:

1. Preheating shall be fixed at 150 ~ 180°C for 60 ~ 90 seconds.
2. Ascending time to preheating temperature 150°C shall be 30 seconds min.
3. Heating shall be fixed at 220°C for 50 ~ 80 seconds and at 260°C +0/-5°C peak (20 ~ 40 sec).
4. Time: 2 times.

