

SAW Filter 415.50MHz
Part No: MP09264

Model: TA2208A
Rev No: 1

A. MAXIMUM RATING:

Electrostatic Sensitive Device (ESD)

1. Input Power Level: 10dBm
2. DC voltage: 5V
3. Operating Temperature: -30°C to 70°C
4. Storage Temperature: -40°C to +85°C
5. Moisture Sensitivity Level: MSL1

B. CHARACTERISTICS:

Ambient Temperature: 25°C

Item	Unit	Min.	Typ.	Max.
Center frequency Fc	MHz	-	415.5	-
Insertion loss IL (406 ~ 425MHz)	dB	-	2.0	4
Amplitude Ripple (406 ~ 425MHz)	dB	-	0.5	2.2
VSWR (406 ~ 425MHz)		-	1.7	2.2
Attenuation (reference from 0dB)				
10 ~ 300MHz	dB	30	56	-
300 ~ 380MHz	dB	24	42	-
380 ~ 386MHz	dB	15	36	-
460 ~ 525MHz	dB	12	40	-
559 ~ 580MHz	dB	28	47	-
669 ~ 690MHz	dB	24	48	-
690 ~ 1000MHz	dB	26	40	-
Source impedance Z _S	Ω	-	50	-
Load impedance Z _L	Ω	-	50	-

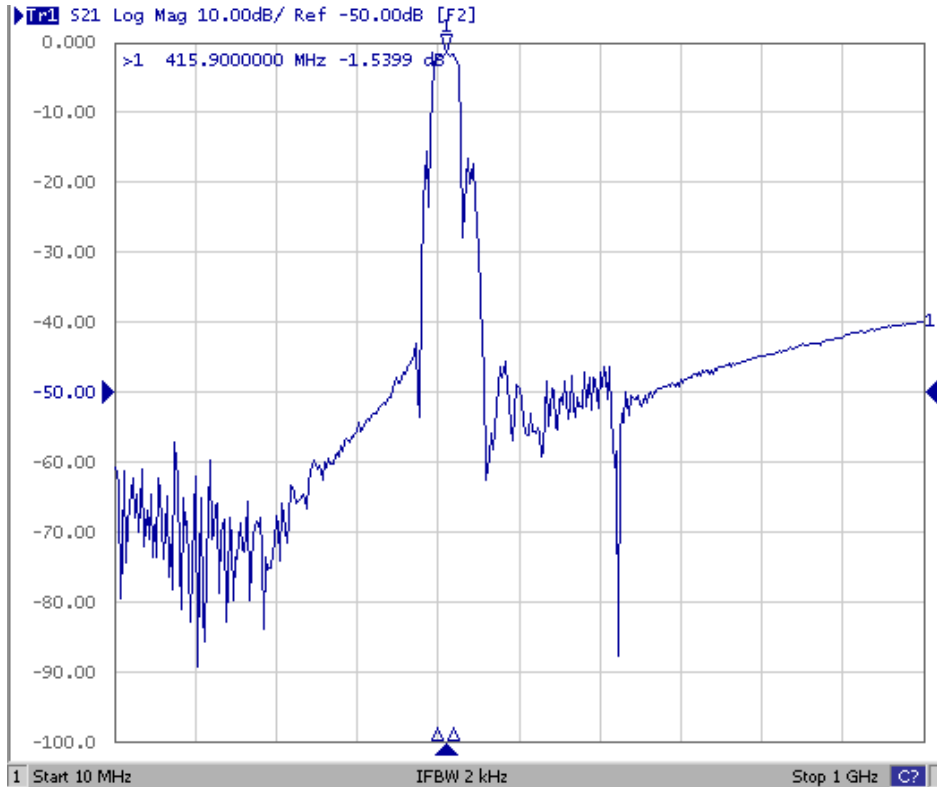
Note: No matching network required for operation at 50Ω.

SAW Filter 415.50MHz
Part No: MP09264

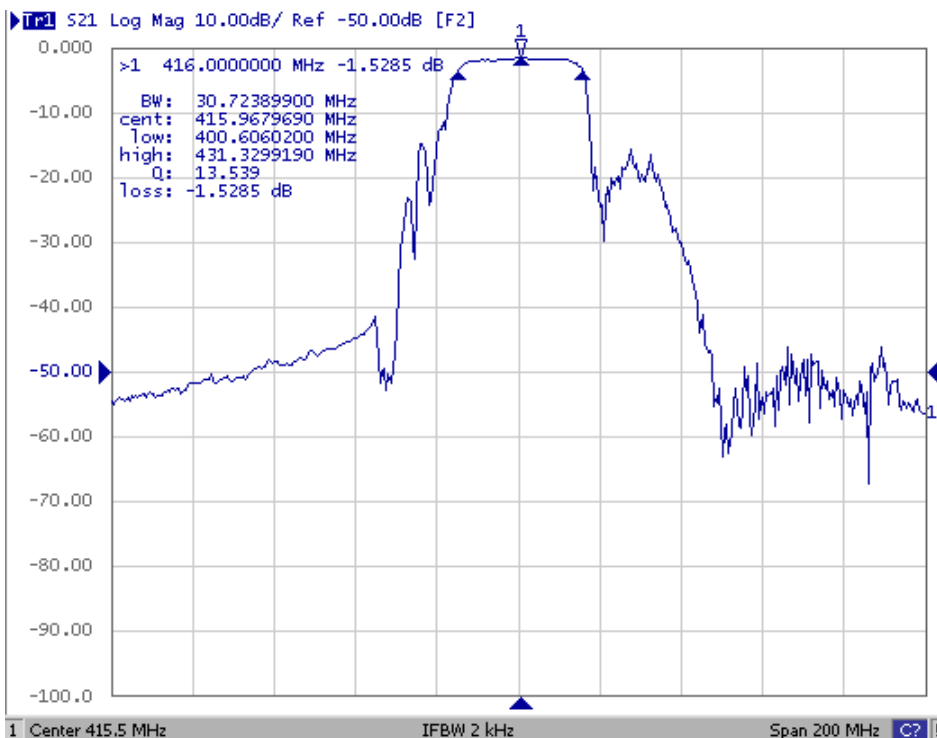
Model: TA2208A
Rev No: 1

C. FREQUENCY CHARACTERISTICS:

1. Wideband



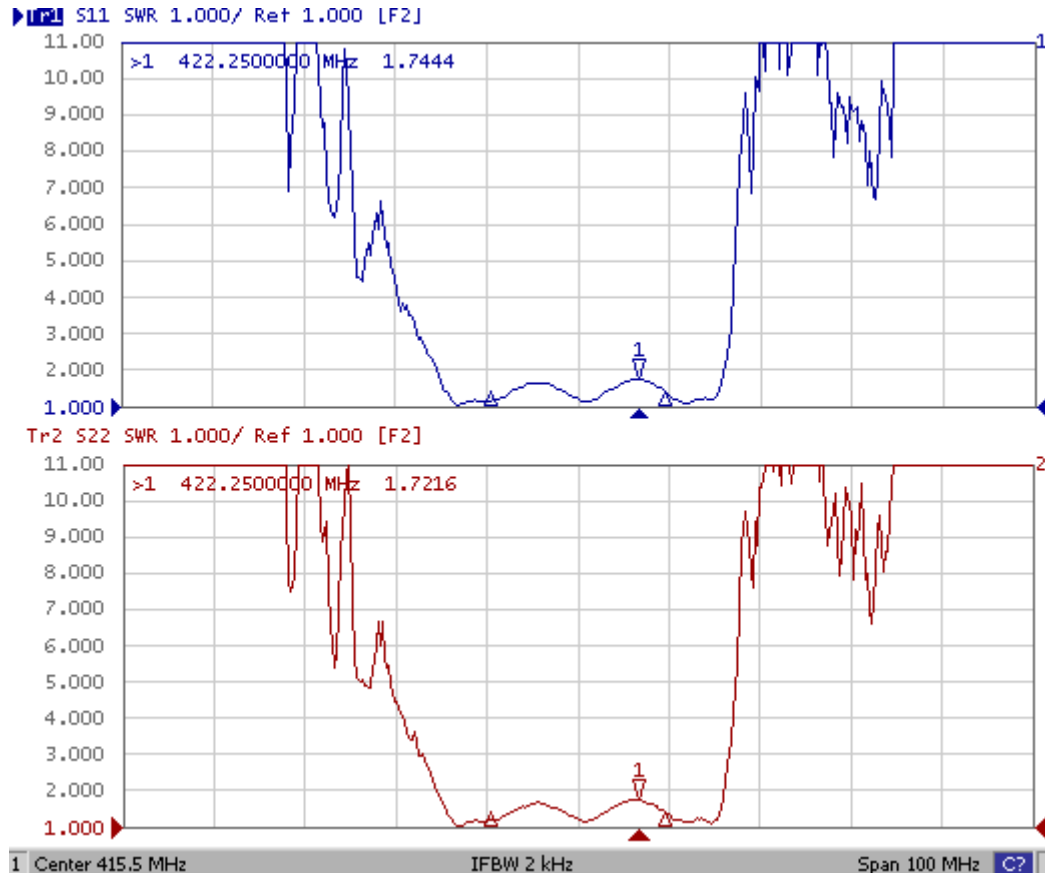
2. Passband



SAW Filter 415.50MHz
Part No: MP09264

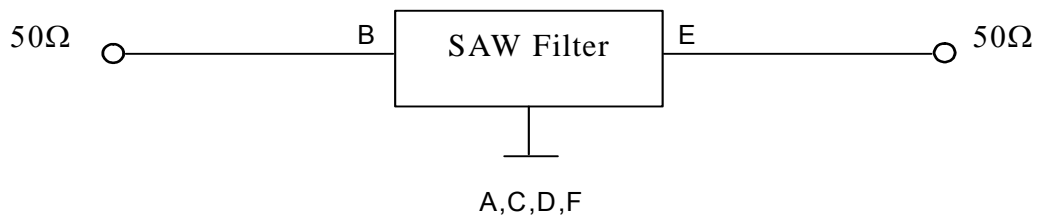
Model: TA2208A
Rev No: 1

3. VSWR



D. MEASUREMENT CIRCUIT:

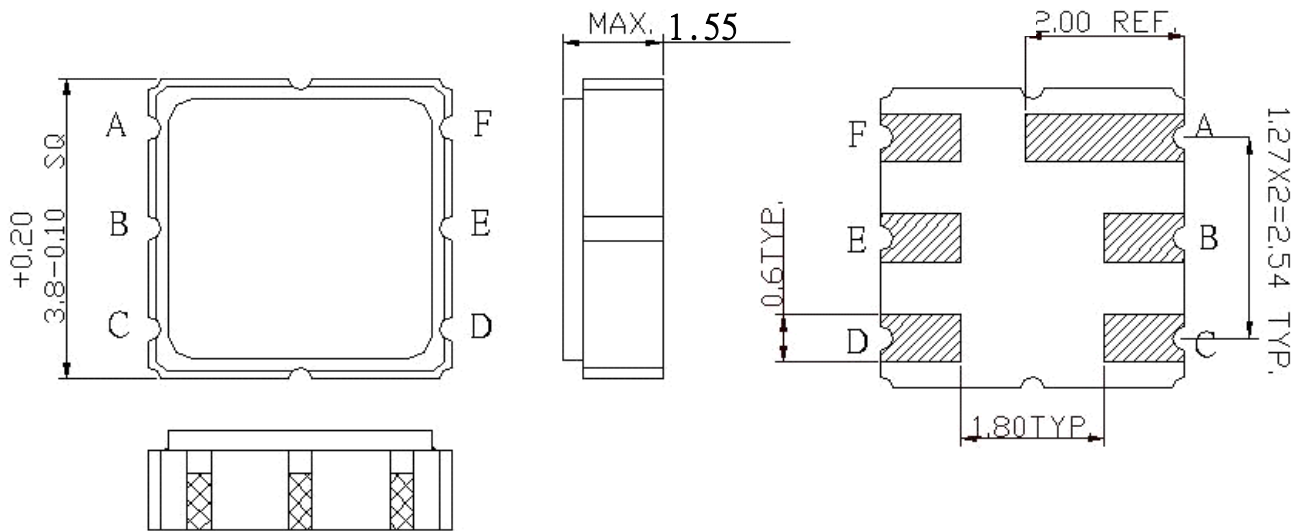
HP Network analyzer



SAW Filter 415.50MHz
Part No: MP09264

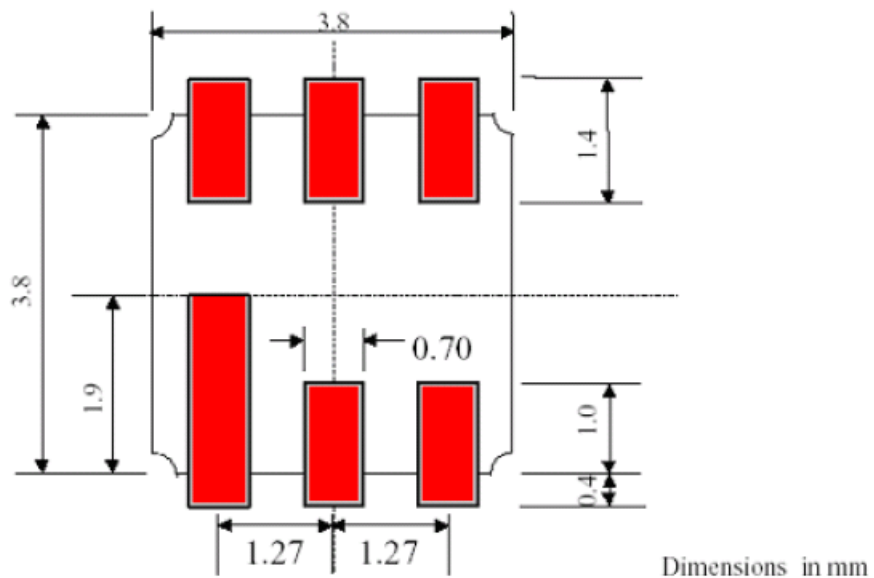
Model: TA2208A
Rev No: 1

E. OUTLINE DRAWING:



B: Input
 E: Output
 A, C, D, F Ground
 Unit: mm

F. PCB FOOTPRINT:

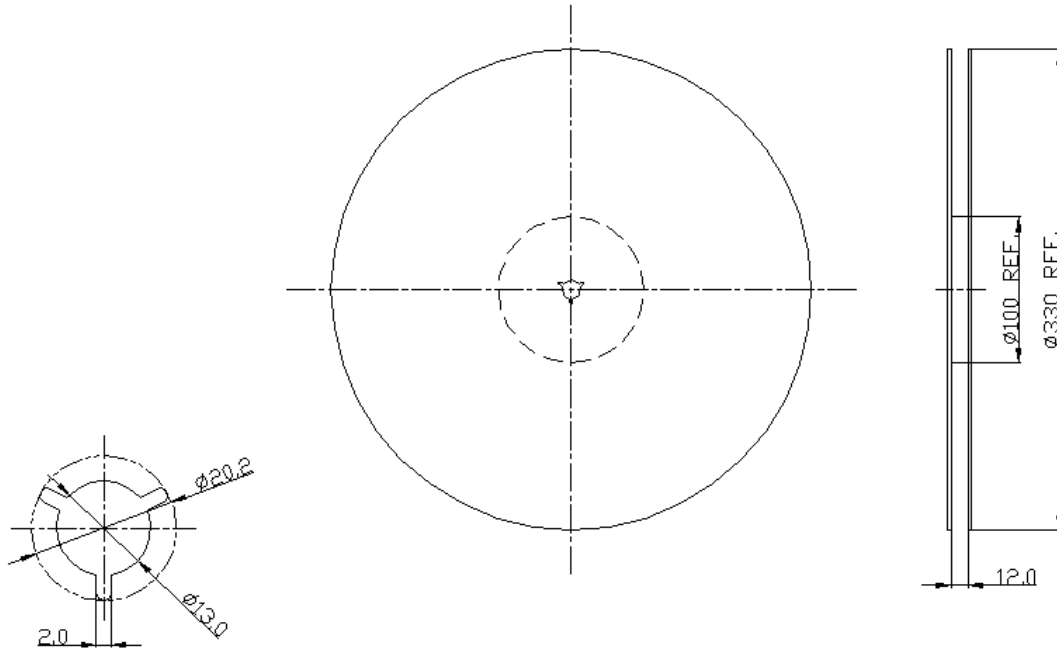


SAW Filter 415.50MHz
Part No: MP09264

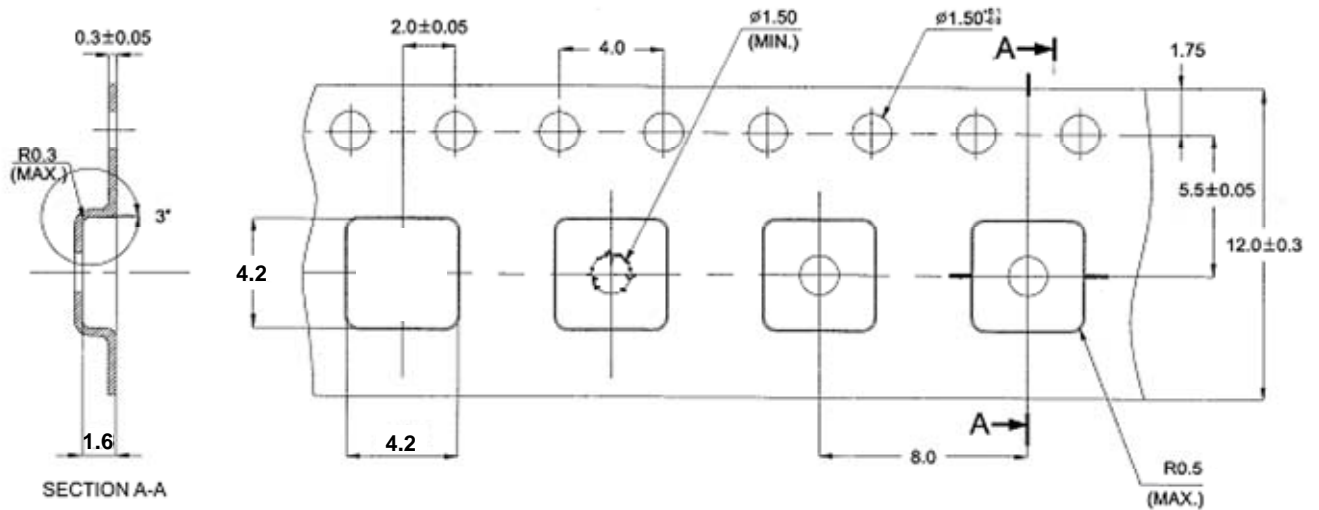
Model: TA2208A
Rev No: 1

G. PACKING:

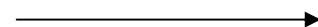
1. Reel Dimension



2. Tape Dimension



Direction of Feed



SAW Filter 415.50MHz
Part No: MP09264

Model: TA2208A
Rev No: 1

H. RECOMMENDED REFLOW PROFILE:

1. Preheating shall be fixed at 150 ~ 180°C for 60 ~ 90 seconds.
2. Ascending time to preheating temperature 150°C shall be 30 seconds min.
3. Heating shall be fixed at 220°C for 50 ~ 80 seconds and at 260°C +0/-5°C peak (20 ~ 40 sec).
4. Time: 2 times.

