

SAW Filter 2441.750MHz
Part No: MP09116

Model: TA2104A
Rev No: 2

A. MAXIMUM RATING:

Electrostatic Sensitive Device (ESD)

1. Input Power Level: 10dBm
2. DC Voltage: 3V
3. Operating Temperature: -30°C to +85°C
4. Storage Temperature: -40°C to +105°C
5. Moisture Sensitivity Level: Level 3 (MSL3)

B. ELECTRICAL CHARACTERISTICS:

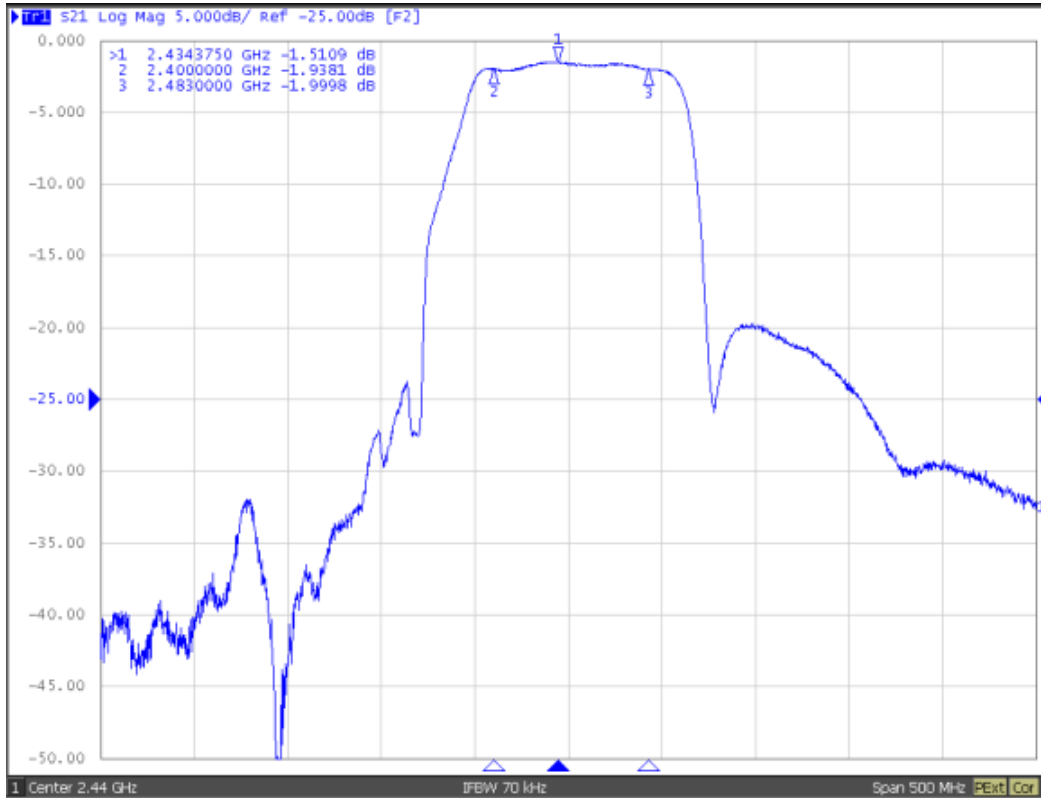
Item	Unit	Min	Typ.	Max
Center Frequency Fc	MHz	-	2441.75	-
Insertion Loss IL 2400 ~ 2483.5MHz	dB		2.2	2.6
Amplitude ripple 2400 ~ 2483.5MHz			0.7	1.5
VSWR 2400 ~ 2483.5MHz			2.0	2.4
Attenuation				
0.1 ~ 960MHz	dB	30	35	
1570 ~ 1990MHz	dB	32	35	
2110 ~ 2170MHz	dB	40	45	
2170 ~ 2300MHz	dB	30	35	
2300 ~ 2320MHz	dB	25	33	
2320 ~ 2345MHz	dB	18	25	
2345 ~ 2365MHz	dB	10	15	
2550 ~ 2800MHz	dB	15	20	
2800 ~ 4000MHz	dB	30	33	
4000 ~ 5000MHz	dB	30	33	
Temperature coefficient	ppm/°C	-36		
Package size	mm	SMD 1.1x0.9		

SAW Filter 2441.750MHz
Part No: MP09116

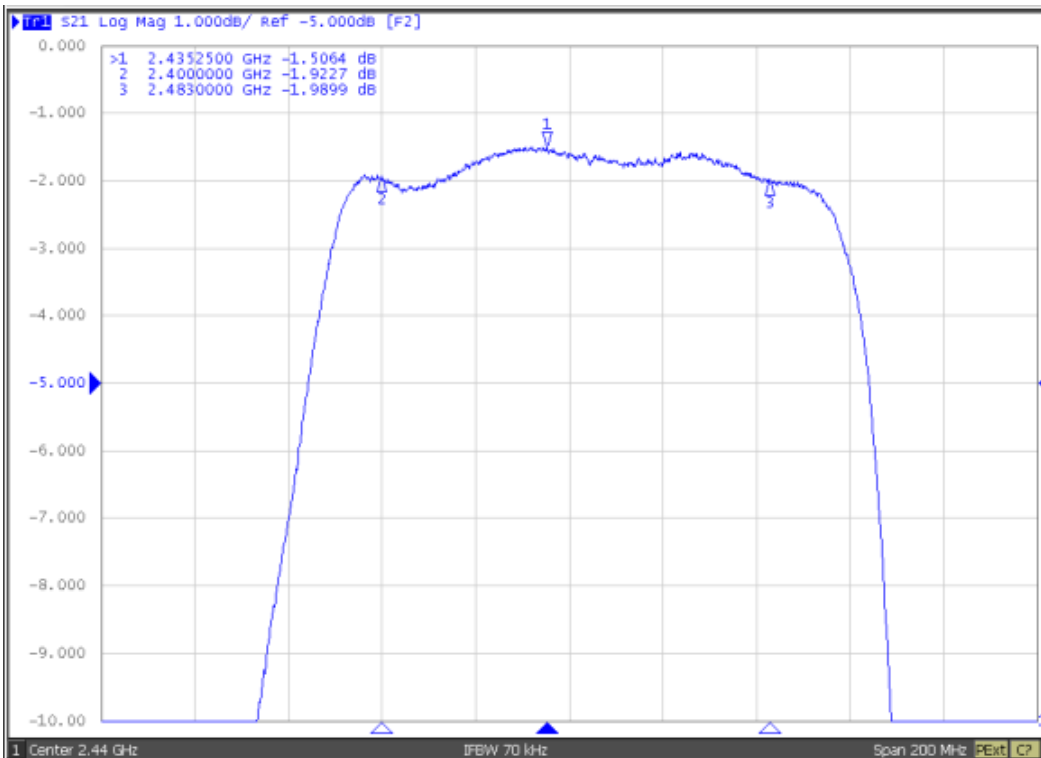
Model: TA2104A
Rev No: 2

C. FREQUENCY CHARACTERISTICS:

1. S21 response: (span 500MHz)



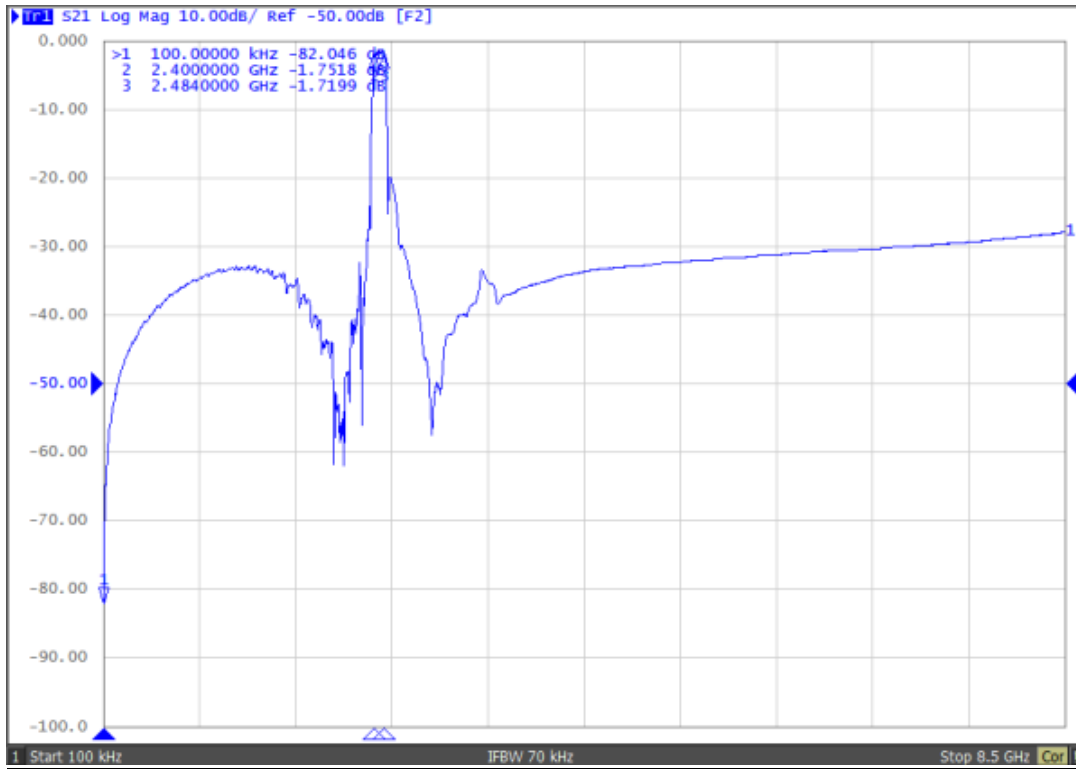
2. S21 response: (span 200MHz)



SAW Filter 2441.750MHz
Part No: MP09116

Model: TA2104A
Rev No: 2

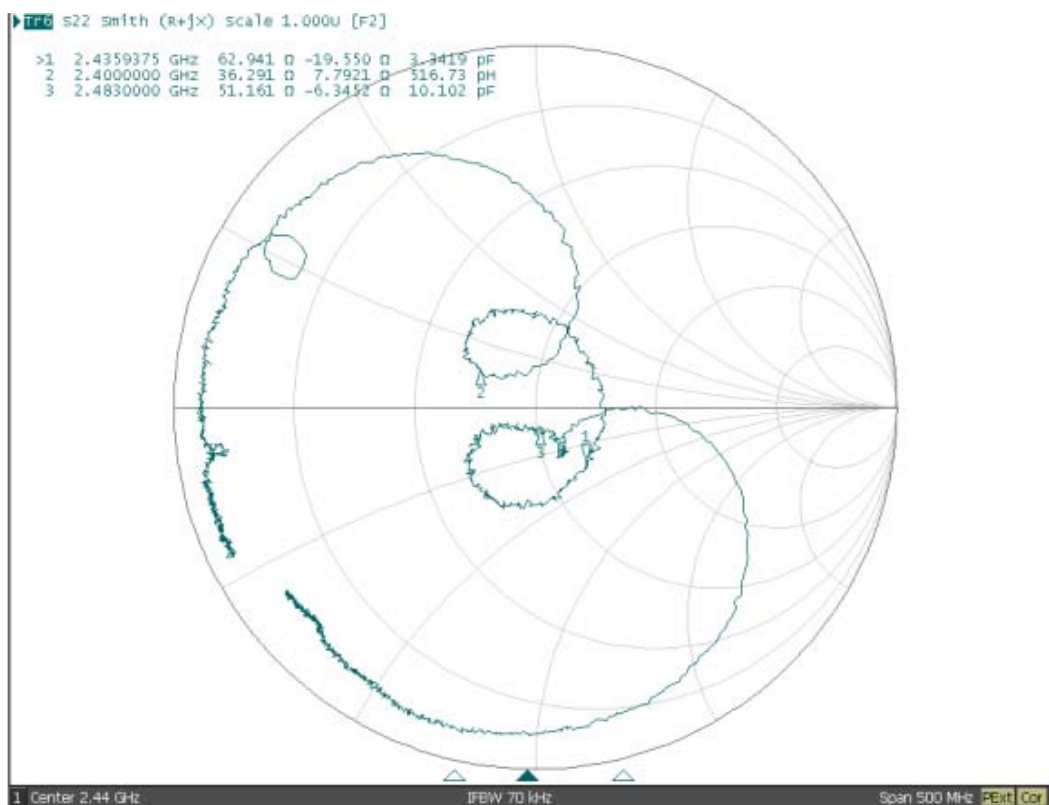
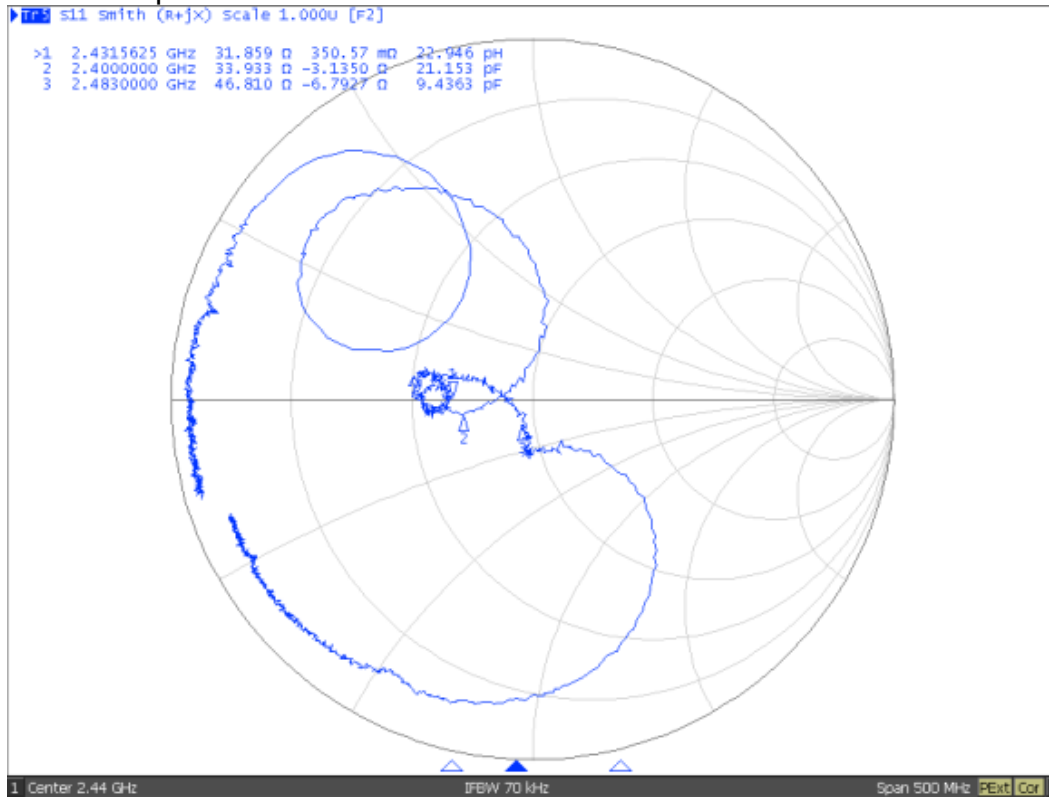
3. S21 response: (span 8.5GHz)



SAW Filter 2441.750MHz
Part No: MP09116

Model: TA2104A
Rev No: 2

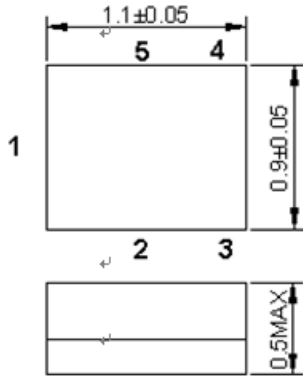
4. S11 / S22 response:



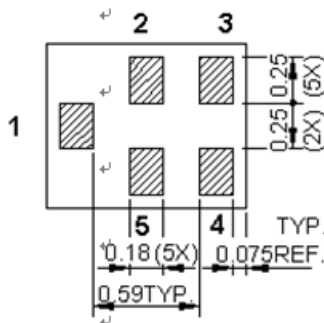
SAW Filter 2441.750MHz
Part No: MP09116

Model: TA2104A
Rev No: 2

D. OUTLINE DRAWING:

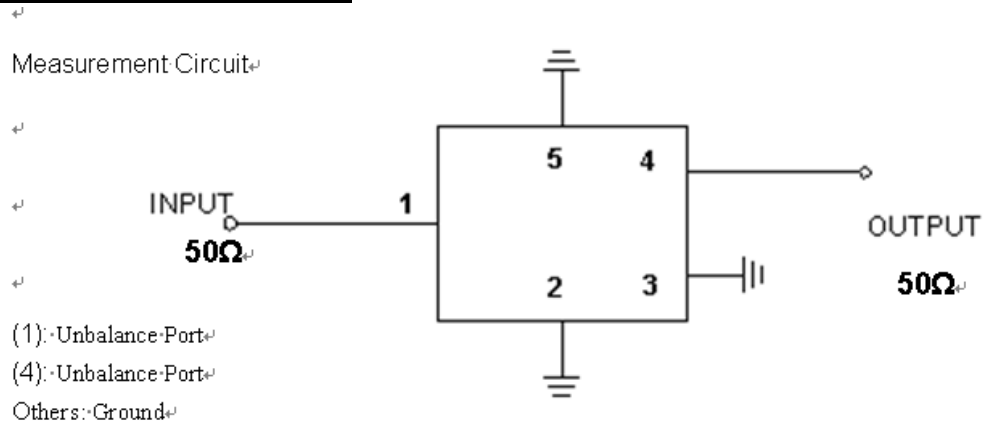


All tolerances are +/-0.05 mm unless otherwise specified
 Coplanarity : 0.1 mm max.
 1 to 5 : Pin No.
 Unit : mm

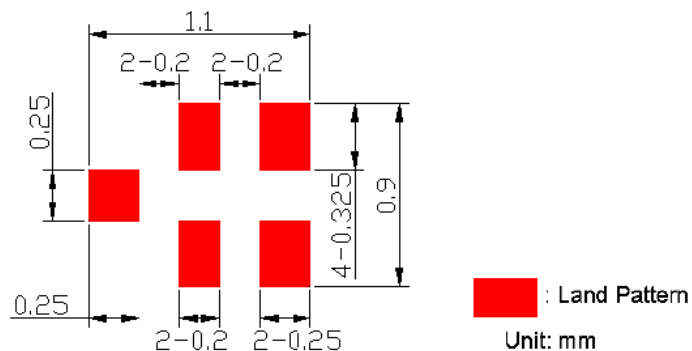


Pin No.	Symbol	Function
1	IN	Input
2	GND	Ground
3	GND	Ground
4	OUT	Output
5	GND	Ground

E. MEASUREMENT CIRCUIT:



F. PCB FOOTPRINT:

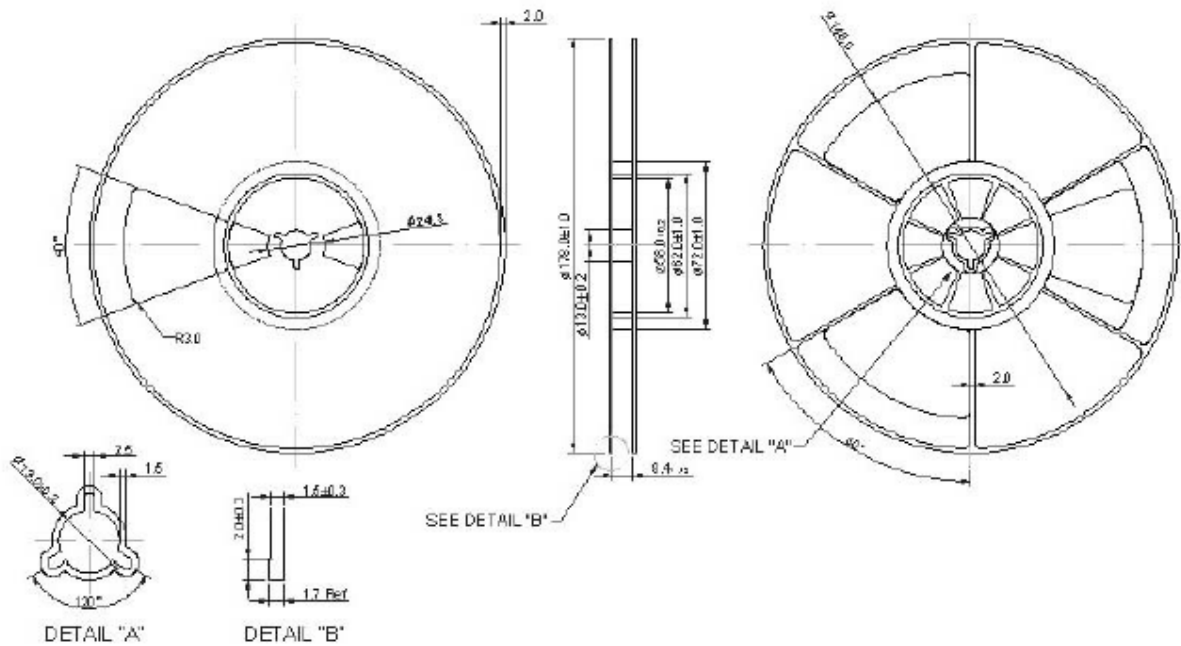


SAW Filter 2441.750MHz
Part No: MP09116

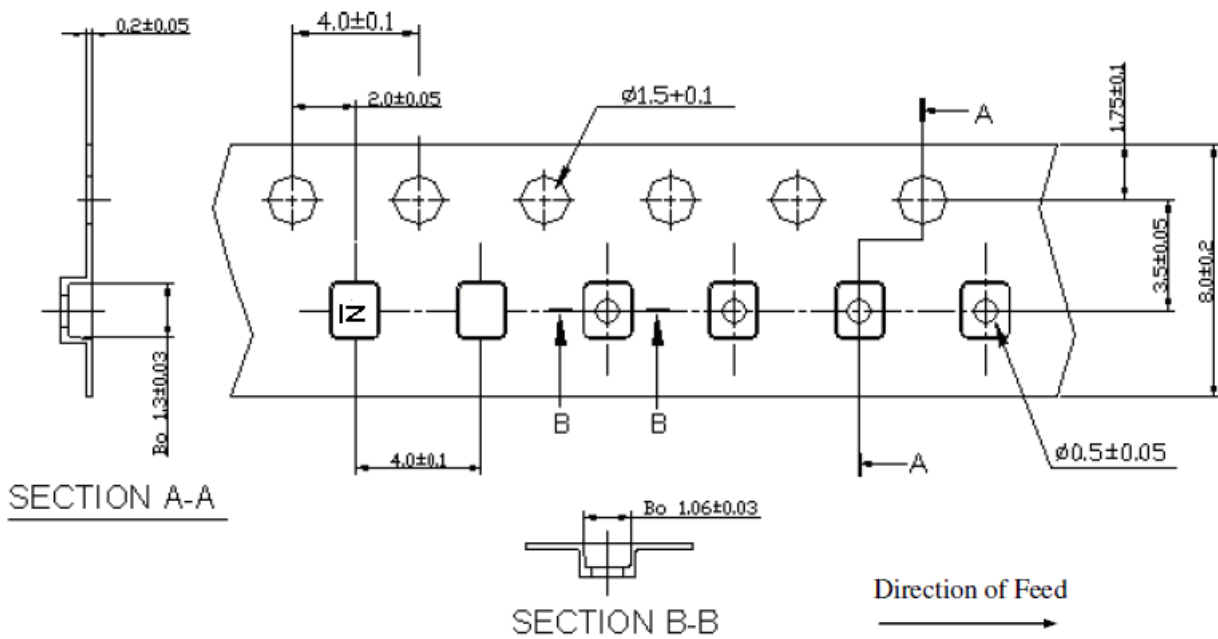
Model: TA2104A
Rev No: 2

G. PACKING:

1. Reel Dimension



2. Tape Dimension



SAW Filter 2441.750MHz
Part No: MP09116

Model: TA2104A
Rev No: 2

H. RECOMMENDED REFLOW PROFILE:

1. Preheating shall be fixed at 150 ~ 180°C for 60 ~ 90 seconds.
2. Ascending time to preheating temperature 150°C shall be 30 seconds min.
3. Heating shall be fixed at 220°C for 50 ~ 80 seconds and at 260°C +0/-5°C peak (20 ~ 40 sec).
4. Time: 2 times.

