

**SAW Filter 2155.0MHz**  
**Part No: MP09247**

**Model: TA2473A**  
**Rev No: 1**

**A. MAXIMUM RATING:**

Electrostatic Sensitive Device (ESD)

1. Input Power Level: 0dBm
2. DC Voltage: 5V
3. Operating Temperature: -30°C to +85°C
4. Storage Temperature: -30°C to +85°C
5. Moisture Sensitivity Level: Level 1
6. ESD 50V (MM), 100V (HBM)

**B. ELECTRICAL CHARACTERISTICS:**

1. Terminating source impedance (Unbalanced):  $Z_S = 50 \parallel 4.7nH \Omega$
2. Terminating load impedance (Unbalanced):  $Z_L = 50 \parallel 3.9nH \Omega$

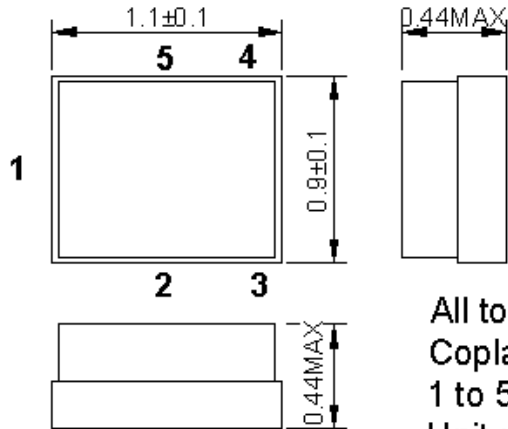
Item	Unit	Min.	Typ.	Max.	Note
Center Frequency Fc	MHz	-	2155		-
Insertion Loss (2110 ~ 2200MHz) IL	dB (*1)	-	1.7	2.3	-
Amplitude ripple (2110 ~ 2200MHz)	dB	-	0.7	1.5	
VSWR Input (2110 ~ 2200MHz)		-	1.5	2.2	-
VSWR Output (2110 ~ 2200MHz)		-	1.5	2.1	
Attenuation (reference level from 0dB)					
1710 ~ 1780MHz	dB	42	49	-	-
1920 ~ 2010MHz	dB	40	45		
2400 ~ 2500MHz	dB	30	36	-	-
3820 ~ 3980MHz	dB	30	36	-	-
4900 ~ 5950MHz	dB	25	32		
5530 ~ 5760MHz	dB	25	32		

Note (\*1): Specification of insertion loss excludes loss that comes from the test board.

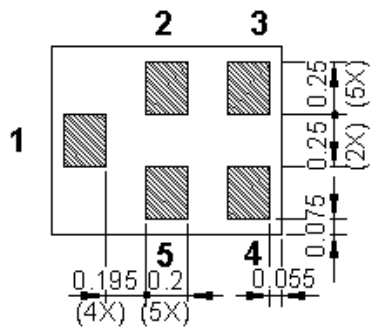
**SAW Filter 2155.0MHz**  
**Part No: MP09247**

**Model: TA2473A**  
**Rev No: 1**

**C. OUTLINE DRAWING:**



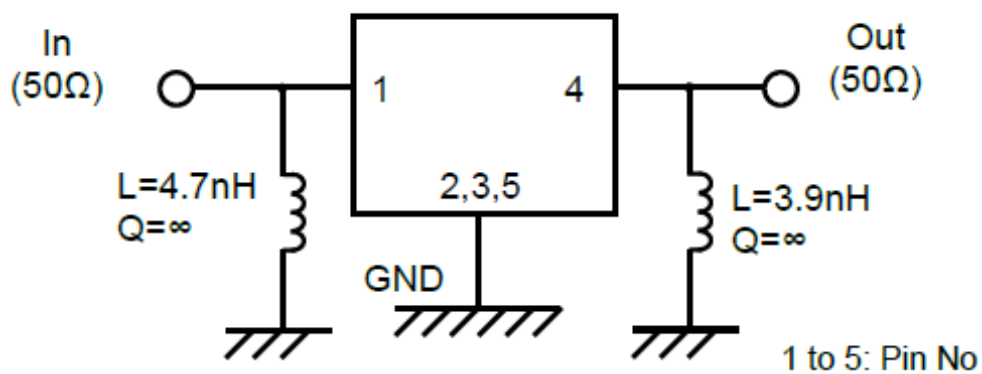
All tolerances are  $\pm 0.05$  mm unless otherwise specified  
 Coplanarity : 0.1 mm max.  
 1 to 5 : Pin No.  
 Unit : mm



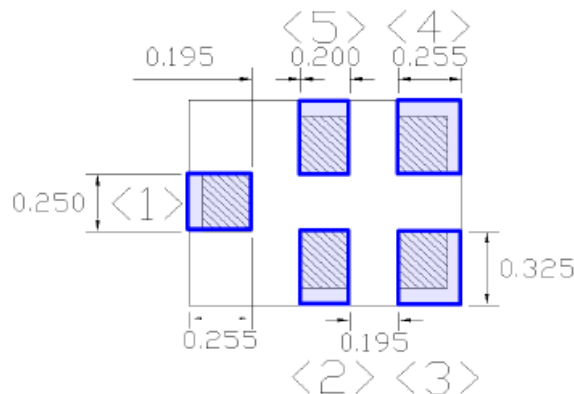
**Pin assignment**

Pin No.	Pin name	Description
1	In	Input
2	GND	Ground
3	GND	Ground
4	Out	Output
5	GND	Ground

**D. EVALUATION CIRCUIT:**



**E. PCB FOOTPRINT:**

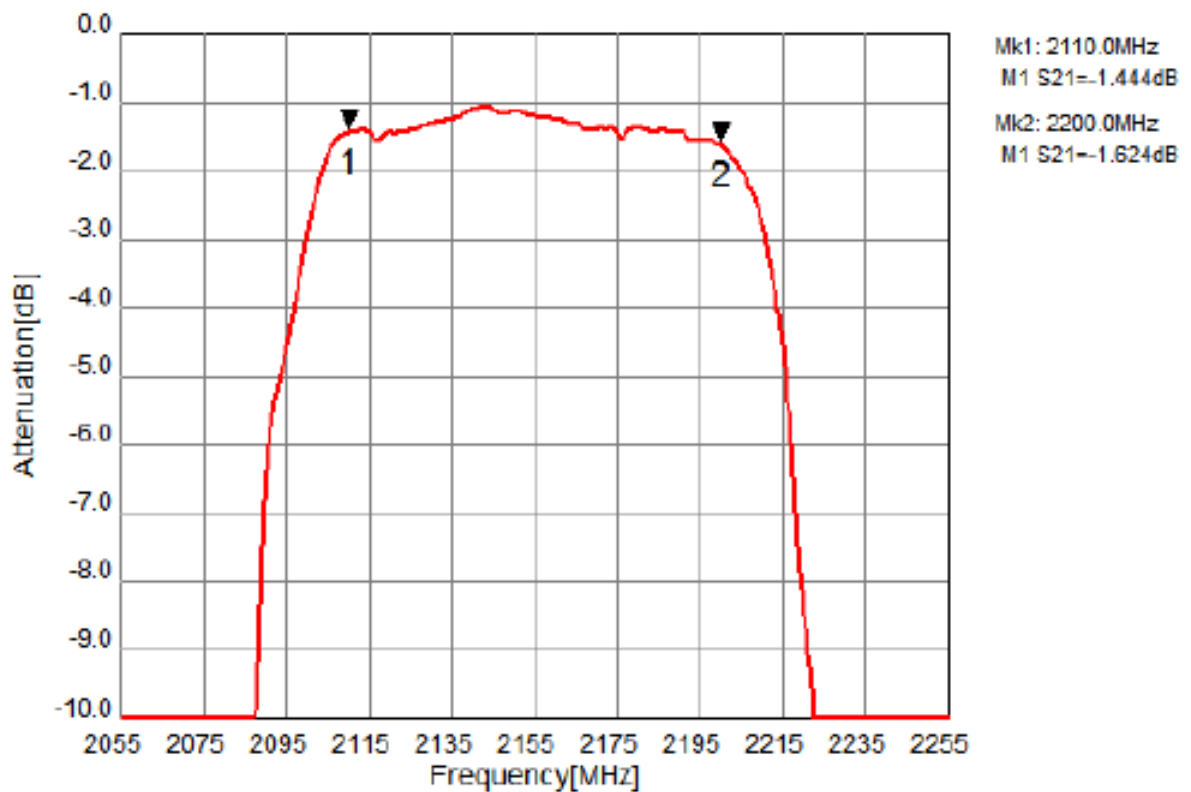
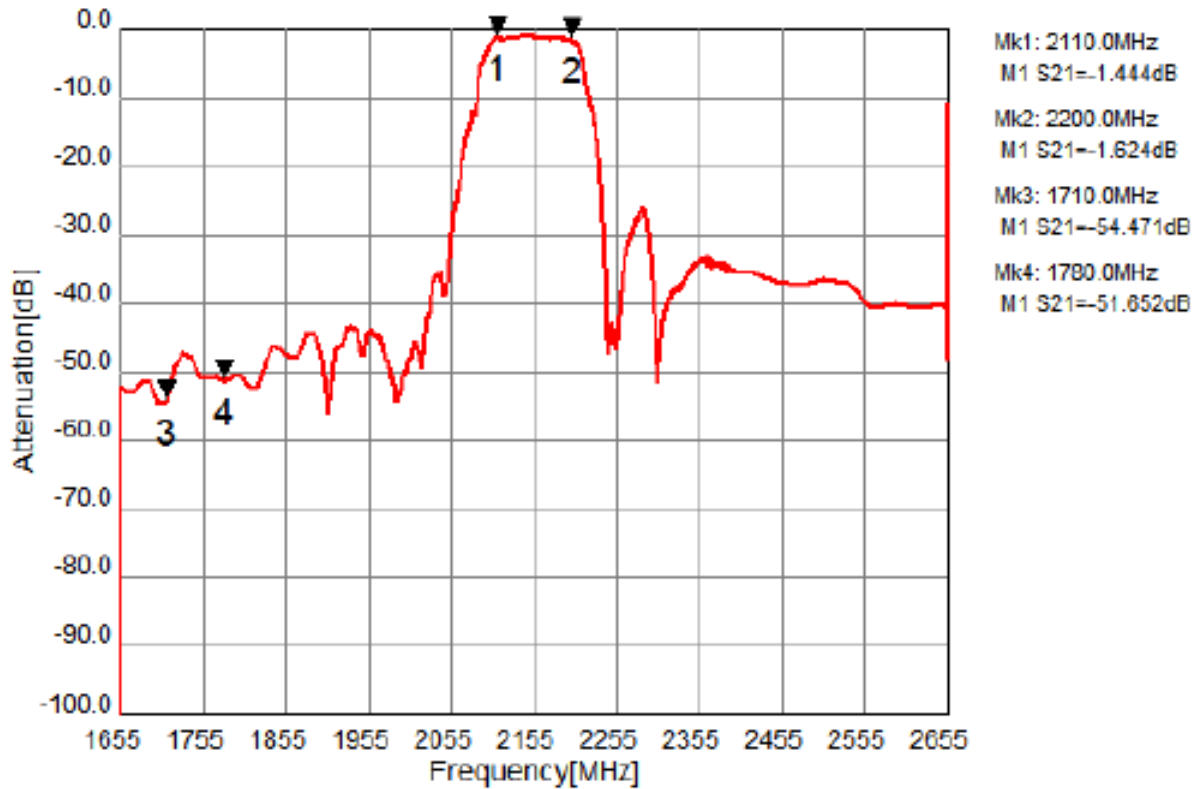


**SAW Filter 2155.0MHz**  
**Part No: MP09247**

**Model: TA2473A**  
**Rev No: 1**

**F. FREQUENCY CHARACTERISTICS:**

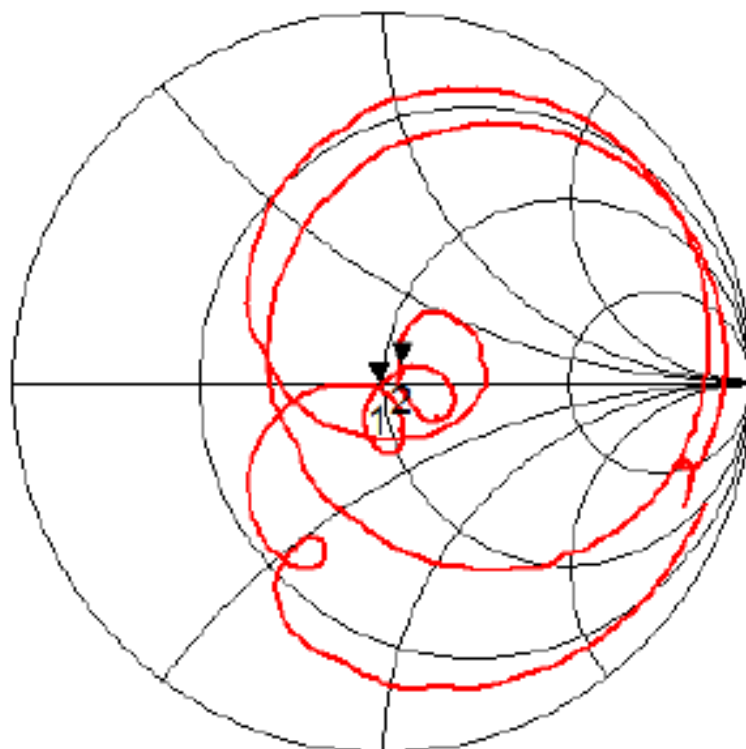
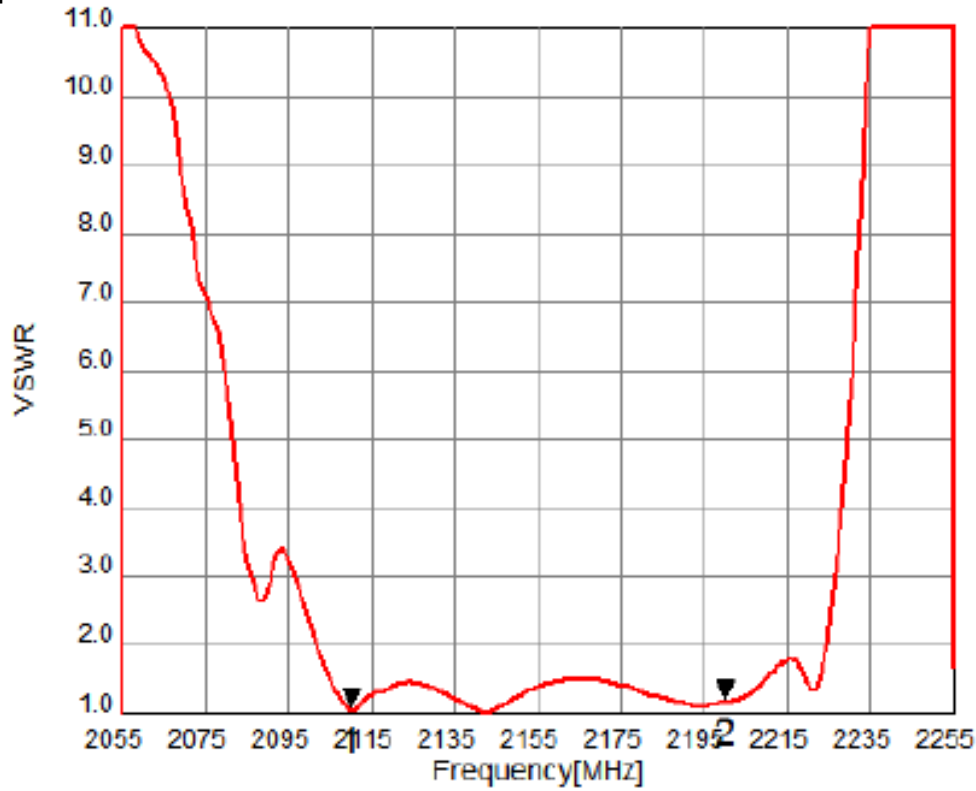
1. Pass-band



**SAW Filter 2155.0MHz**  
**Part No: MP09247**

**Model: TA2473A**  
**Rev No: 1**

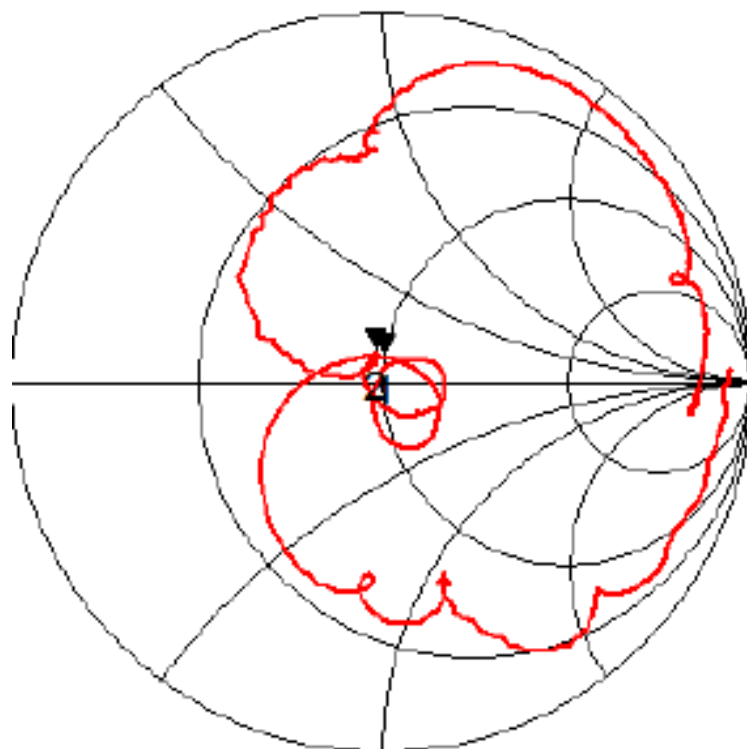
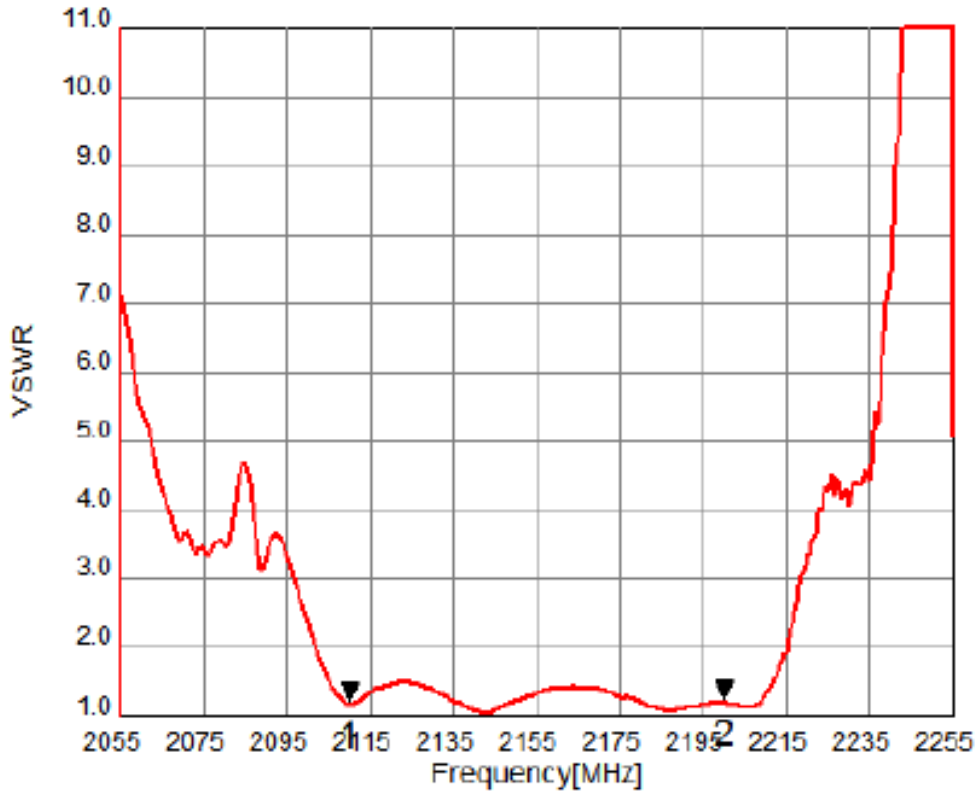
2. Input Port



**SAW Filter 2155.0MHz**  
**Part No: MP09247**

**Model: TA2473A**  
**Rev No: 1**

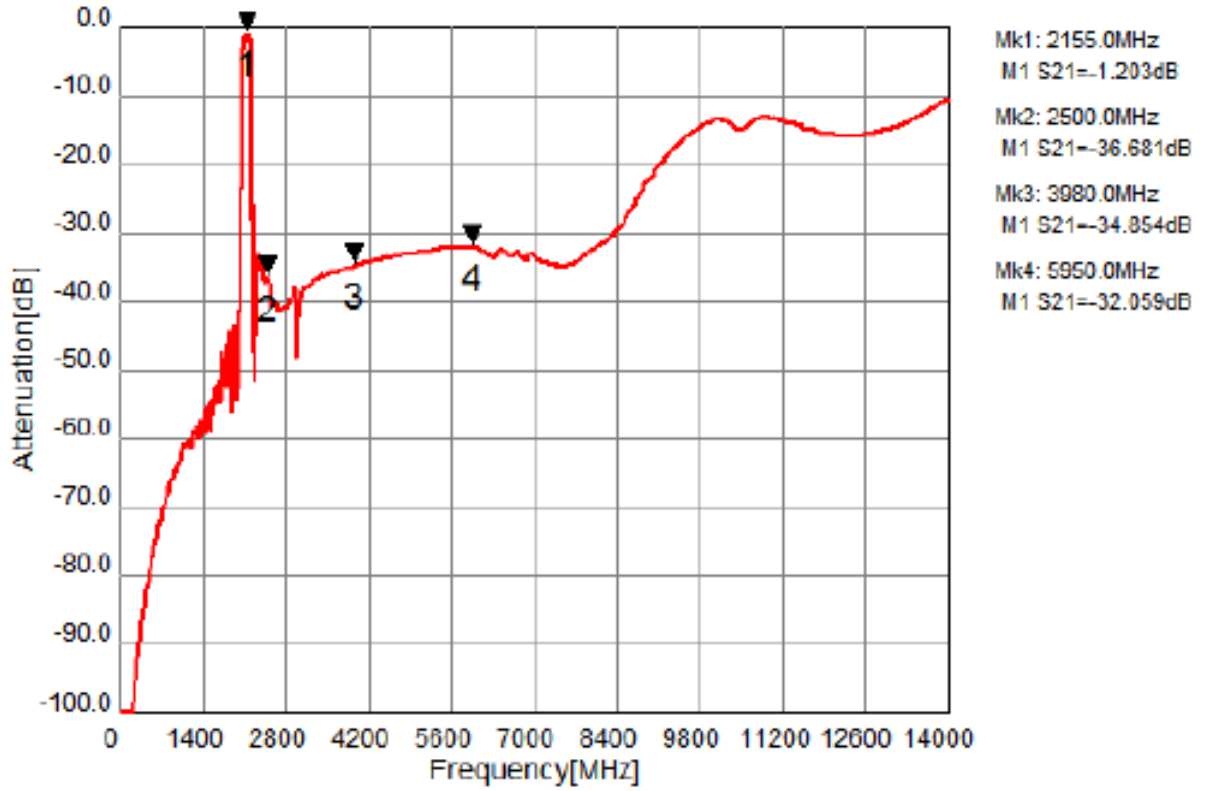
3. Output Port



**SAW Filter 2155.0MHz**  
**Part No: MP09247**

**Model: TA2473A**  
**Rev No: 1**

4. Wide-band

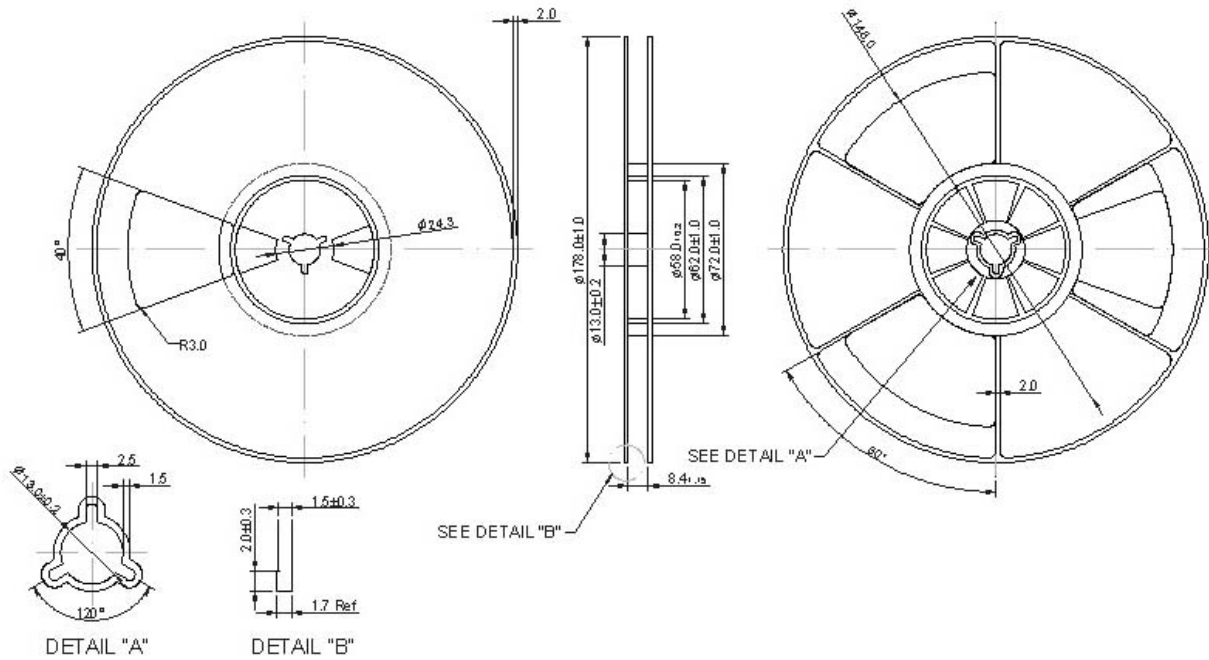


**SAW Filter 2155.0MHz**  
**Part No: MP09247**

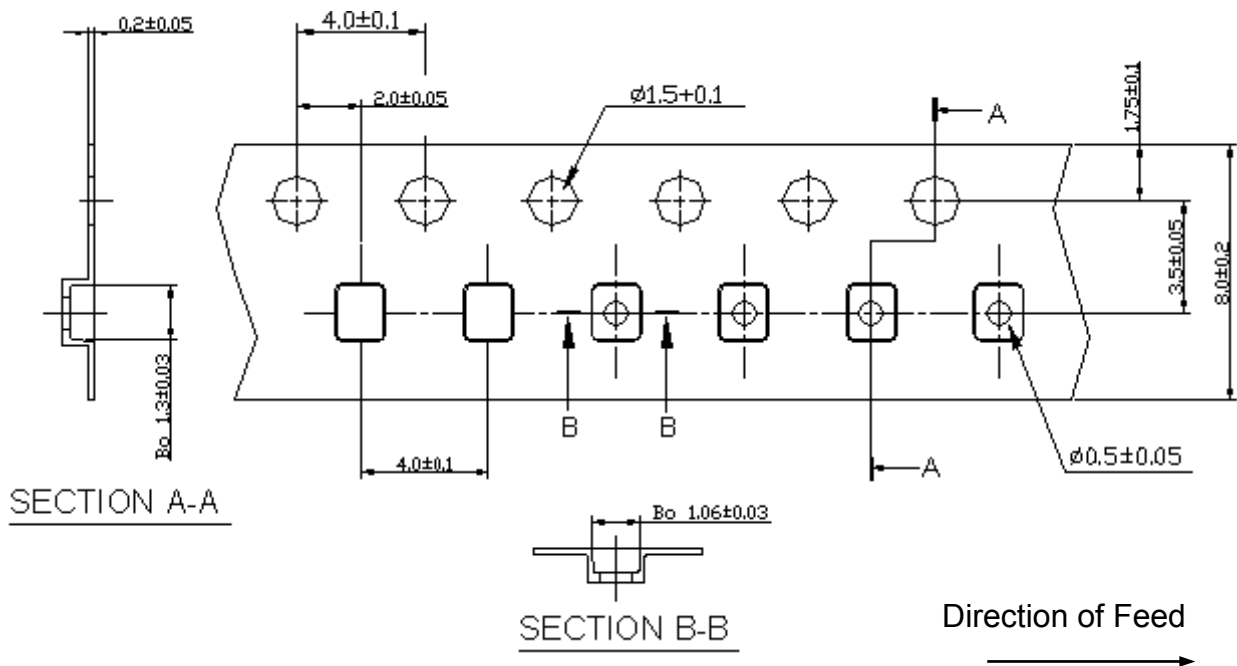
**Model: TA2473A**  
**Rev No: 1**

**G. PACKING:**

**1. Reel Dimension**



**2. Tape Dimension**



**SAW Filter 2155.0MHz**

**Model: TA2473A**

**Part No: MP09247**

**Rev No: 1**

**H. RECOMMENDED REFLOW PROFILE:**

1. Preheating shall be fixed at 150 ~ 180°C for 60 ~ 90 seconds.
2. Ascending time to preheating temperature 150°C shall be 30 seconds min.
3. Heating shall be fixed at 220°C for 50 ~ 80 seconds and at 245 ~ 260°C peak (min. 10 sec).
4. Time: 2 times.

