

SAW Filter 1480.0MHz
Part No: MP09703

Model: TA2390A
Rev No: 1

A. MAXIMUM RATING:

Electrostatic Sensitive Device (ESD)

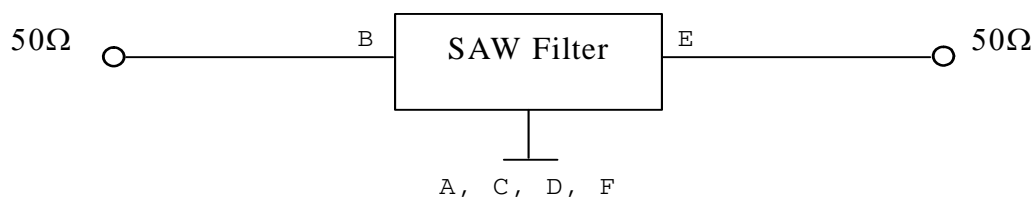
1. Input Power Level: 10dBm
2. DC voltage: 3V
3. Operating Temperature: -40°C to +85°C
4. Storage Temperature: -40°C to +85°C
5. Moisture Sensitivity Level: Level 1 (MSL1)

B. ELECTRICAL CHARACTERISTICS:

Item	Unit	Min.	Typ.	Max.
Center frequency Fc	MHz	-	1480	-
Insertion Loss (1435 ~ 1525MHz) IL	dB	-	3.2	4.2
Amplitude ripple (1435 ~ 1525MHz)	dB	-	0.8	1.8
VSWR (1435 ~ 1525MHz)	-	-	2.1	2.5
Attenuation (Reference level from 0dB)				
10 ~ 1360MHz	dB	24	29	-
1610 ~ 3000MHz	dB	24	31	-
Temperature coefficient of frequency	ppm/k	-	-80	-

C. MEASUREMENT CIRCUIT:

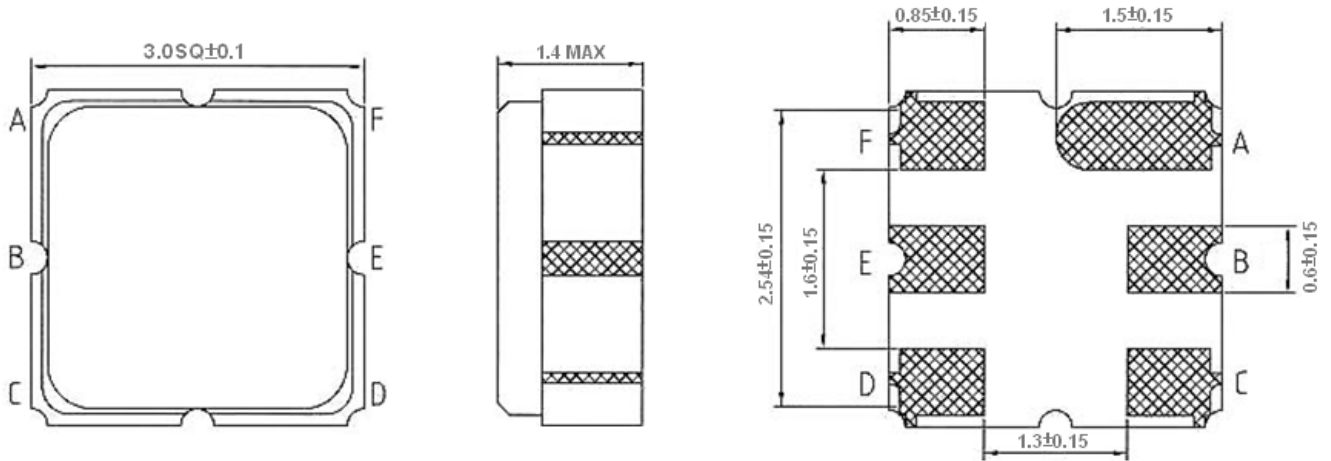
HP Network analyzer



SAW Filter 1480.0MHz
Part No: MP09703

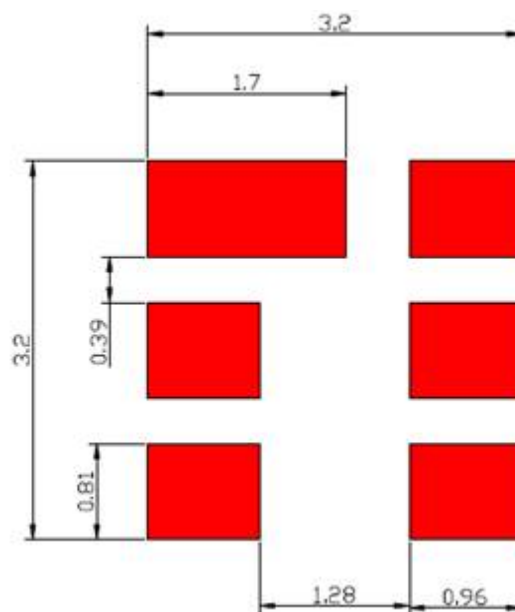
Model: TA2390A
Rev No: 1

D. OUTLINE DRAWING:



B: Input
E: Output
A, C, D, F: Ground
Unit: mm

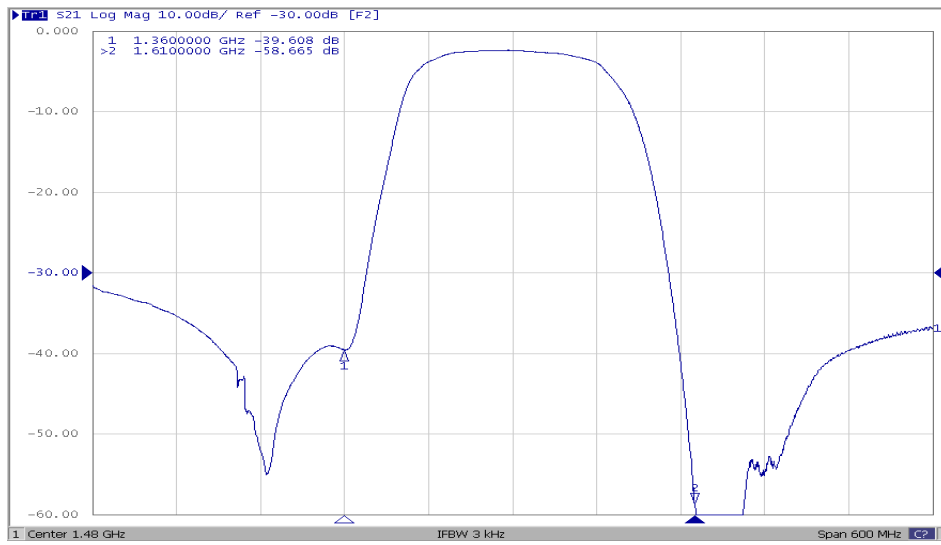
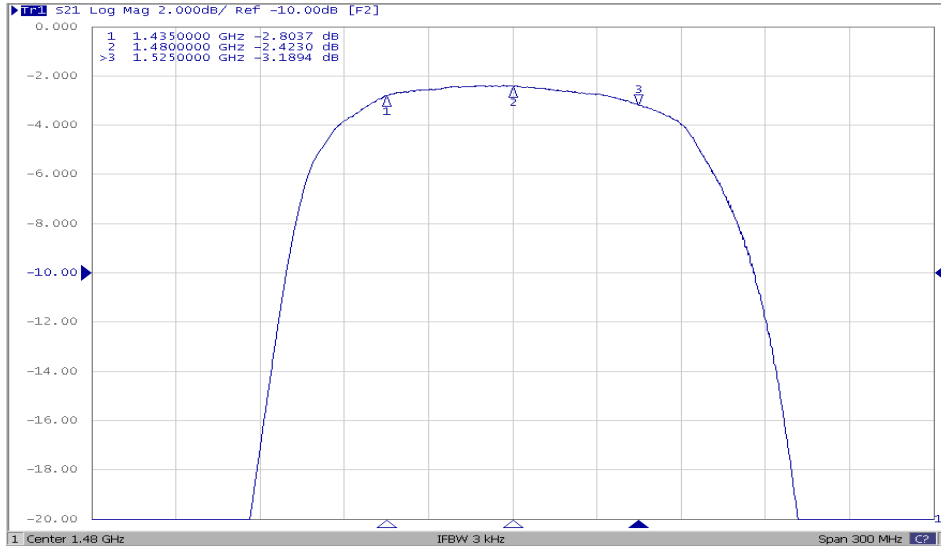
E. PCB FOOTPRINT:



SAW Filter 1480.0MHz
Part No: MP09703

Model: TA2390A
Rev No: 1

F. FREQUENCY CHARACTERISTICS:

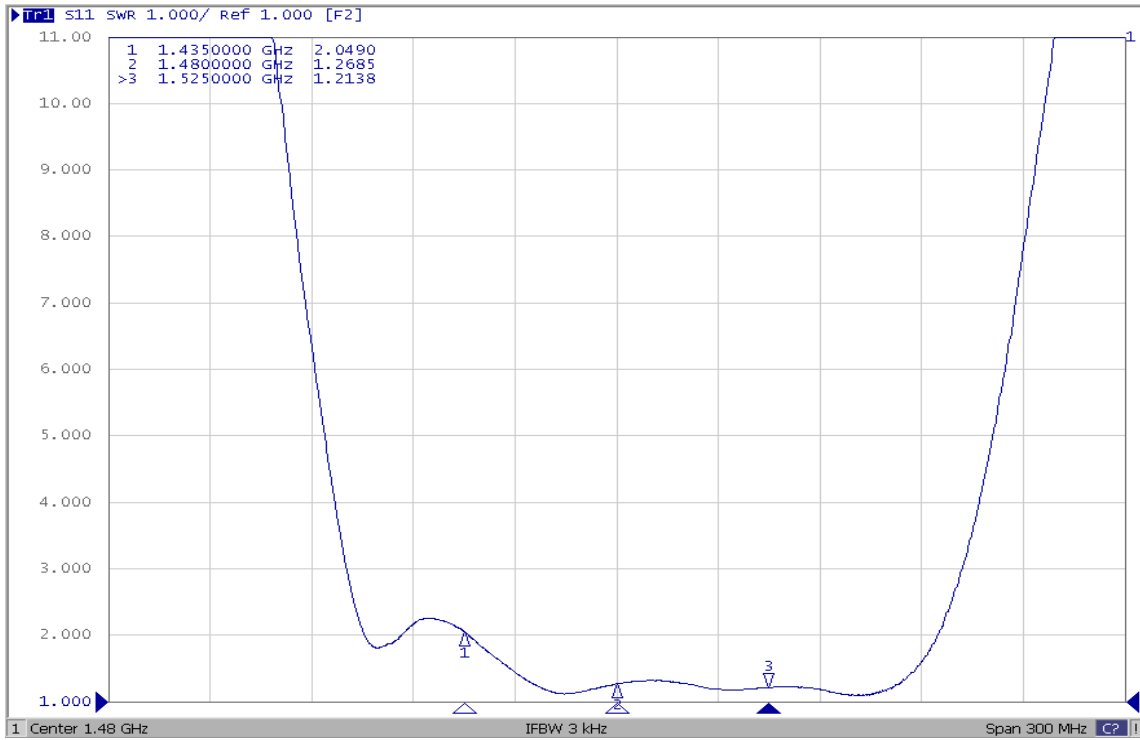


SAW Filter 1480.0MHz
Part No: MP09703

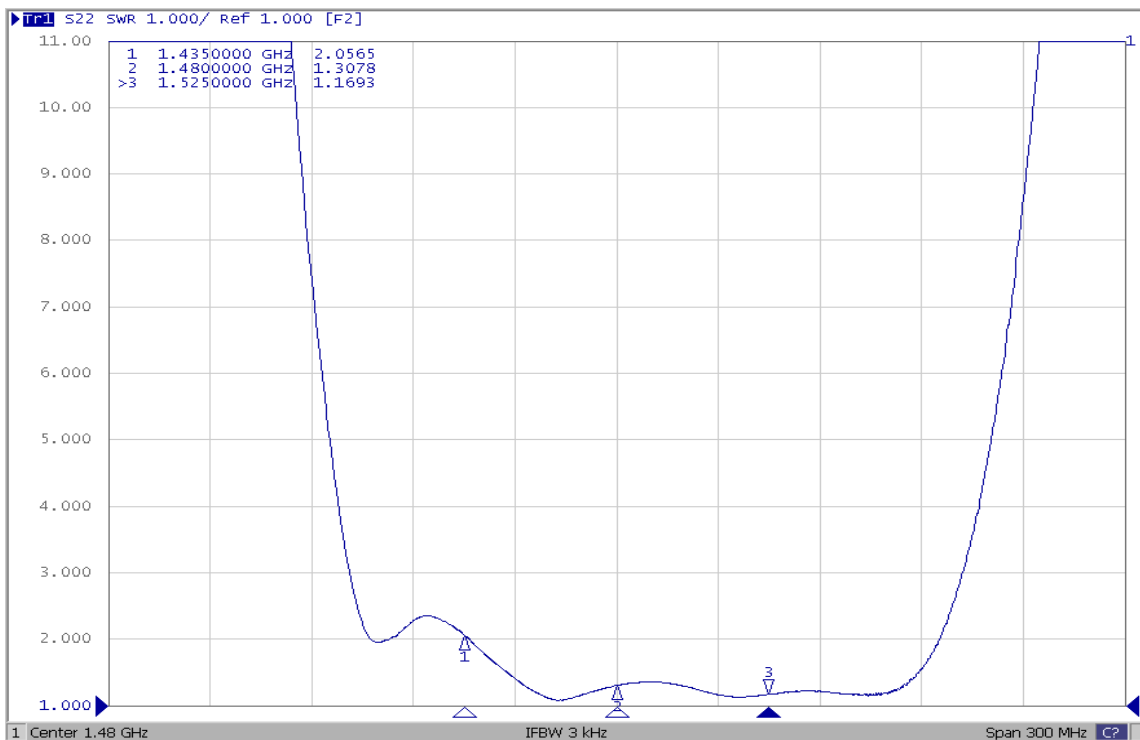
Model: TA2390A
Rev No: 1

Reflection Functions:

S11



S22

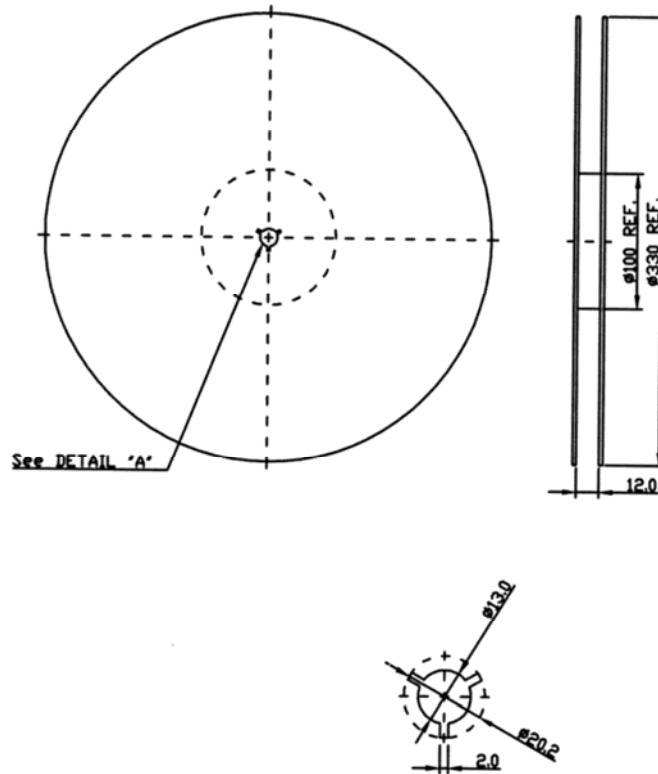


SAW Filter 1480.0MHz
Part No: MP09703

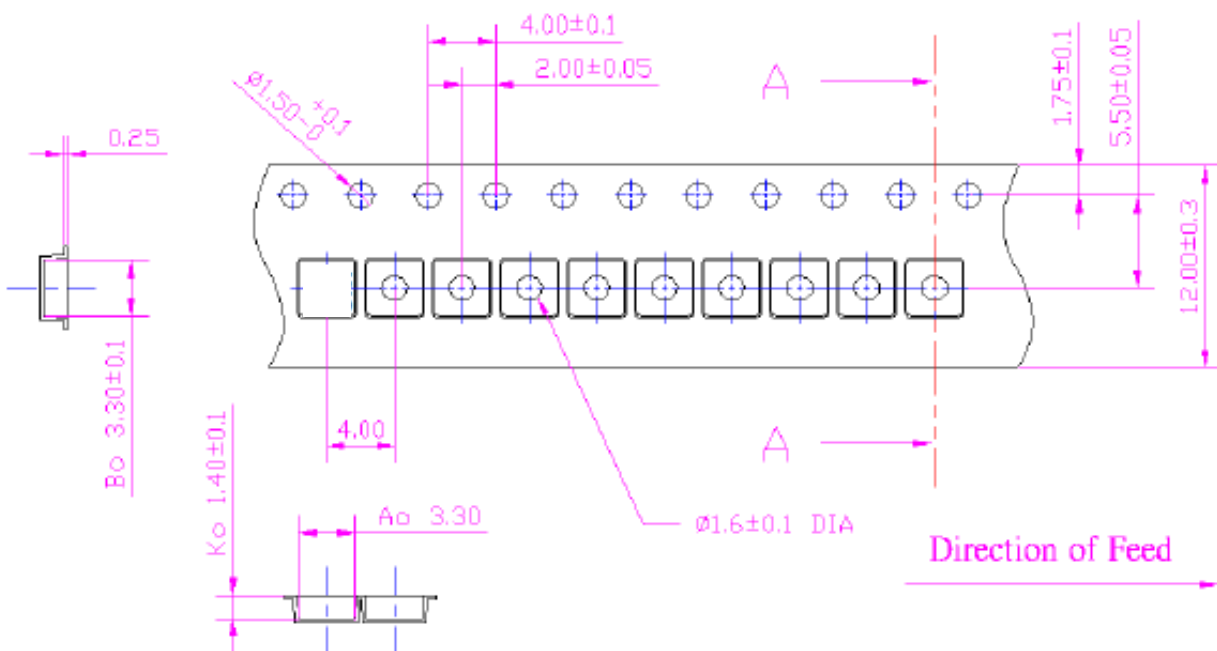
Model: TA2390A
Rev No: 1

G. PACKING:

1. Reel Dimension



2. Tape Dimension



SAW Filter 1480.0MHz
Part No: MP09703

Model: TA2390A
Rev No: 1

H. RECOMMENDED REFLOW PROFILE:

1. Preheating shall be fixed at 150 ~ 180°C for 60 ~ 90 seconds.
2. Ascending time to preheating temperature 150°C shall be 30 seconds min.
3. Heating shall be fixed at 220°C for 50 ~ 80 seconds and at 260°C +0/-5°C peak (20 ~ 40 sec).
4. Time: 2 times.

