

**SAW Filter 2593.0MHz**  
**Part No: MP09311**

**Model: TA2326A**  
**Rev No: 1**

**A. MAXIMUM RATING:**

Electrostatic Sensitive Device (ESD)

1. Maximum Input Power: 29dBm, 5000h 50°C
2. Maximum DC Voltage: 0V
3. Operating temperature range: -10°C to +85 °C
4. Storage temperature range: -40°C to +85°C
5. Moisture Sensitivity Level: Level 3 (MSL3)

**B. ELECTRICAL CHARACTERISTICS:**

1. Terminating source impedance:  $Z_S = 50 \parallel 1.6nH \Omega$  (Single-ended)
2. Terminating load impedance:  $Z_L = 50 \parallel 2.0nH \Omega$  (Single-ended)

Item	Unit	Min.	Typ.	Max.
Center Frequency Fc	MHz	-	2593	-
Insertion Loss (2496 ~ 2501MHz) IL	dB	-	3.0	4.3
Insertion Loss (2501 ~ 2690MHz) IL	dB	-	2.6	3.8
Insertion Loss (2500 ~ 2680MHz) IL	dB	-	2.6	3.8
Insertion Loss (2680 ~ 2690MHz) IL	dB	-	2.6	3.5
Insertion Loss (2555 ~ 2655MHz) IL	dB	-	1.8	2.8
Insertion Loss (2545 ~ 2575MHz) IL	dB	-	1.4	2.5
Insertion Loss (2620 ~ 2690MHz) IL	dB	-	2.6	3.3
Amplitude Ripple (2496 ~ 2501MHz)	dB p-p	-	0.7	2.6
Amplitude Ripple (2501 ~ 2690MHz)	dB p-p	-	1.3	2.4
VSWR (2496 ~ 2501MHz)	-	-	1.4	2.0
VSWR (2501 ~ 2690MHz)	-	-	1.6	2.0
Attenuation (reference level from 0dB)				
DC ~ 916MHz	dB	40	46	-
925 ~ 960MHz	dB	37	44	-
1226.57 ~ 1228.63MHz	dB	27	37	-
1242.42 ~ 1249.14MHz	dB	27	36	-
1248 ~ 1564MHz	dB	22	28	-
1559 ~ 1605.89MHz	dB	22	28	-
1615 ~ 2400MHz	dB	12	16	-
1710 ~ 1785MHz	dB	17	23	-
1805 ~ 1850MHz	dB	17	21	-

**SAW Filter 2593.0MHz**

**Model: TA2326A**

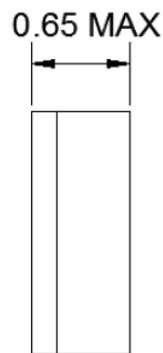
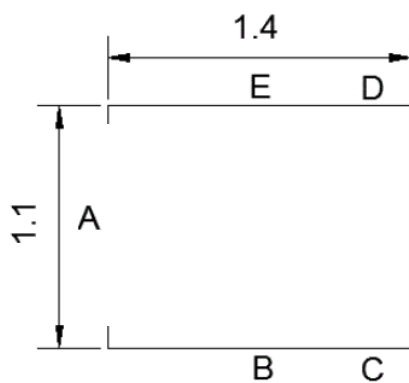
**Part No: MP09311**

**Rev No: 1**

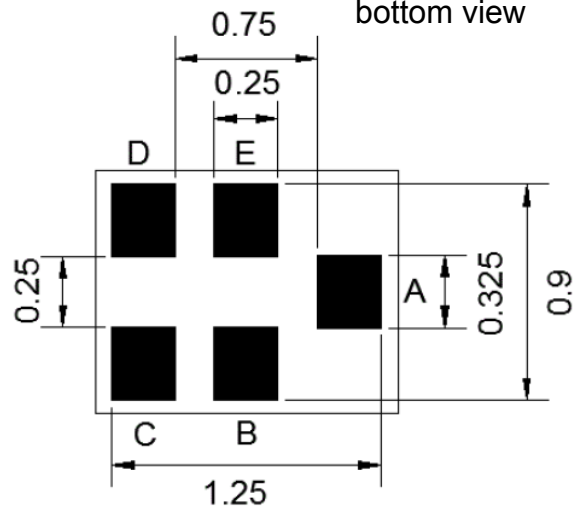
1880 ~ 1920MHz	dB	17	20	-
1920 ~ 1980MHz	dB	13	18	-
2110 ~ 2170MHz	dB	10	14	-
2401 ~ 2468MHz	dB	20	35	-
2451 ~ 2473MHz	dB	7	25	-
2456 ~ 2478MHz	dB	4	11	-
2461 ~ 2483MHz	dB	3	6.7	-
2775 ~ 4992MHz	dB	15	19	-
4992 ~ 5380MHz	dB	25	33	-
5381 ~ 7487MHz	dB	25	37	-
7488 ~ 8070MHz	dB	25	38	-

**C. OUTLINE DRAWING:**

top view



bottom view

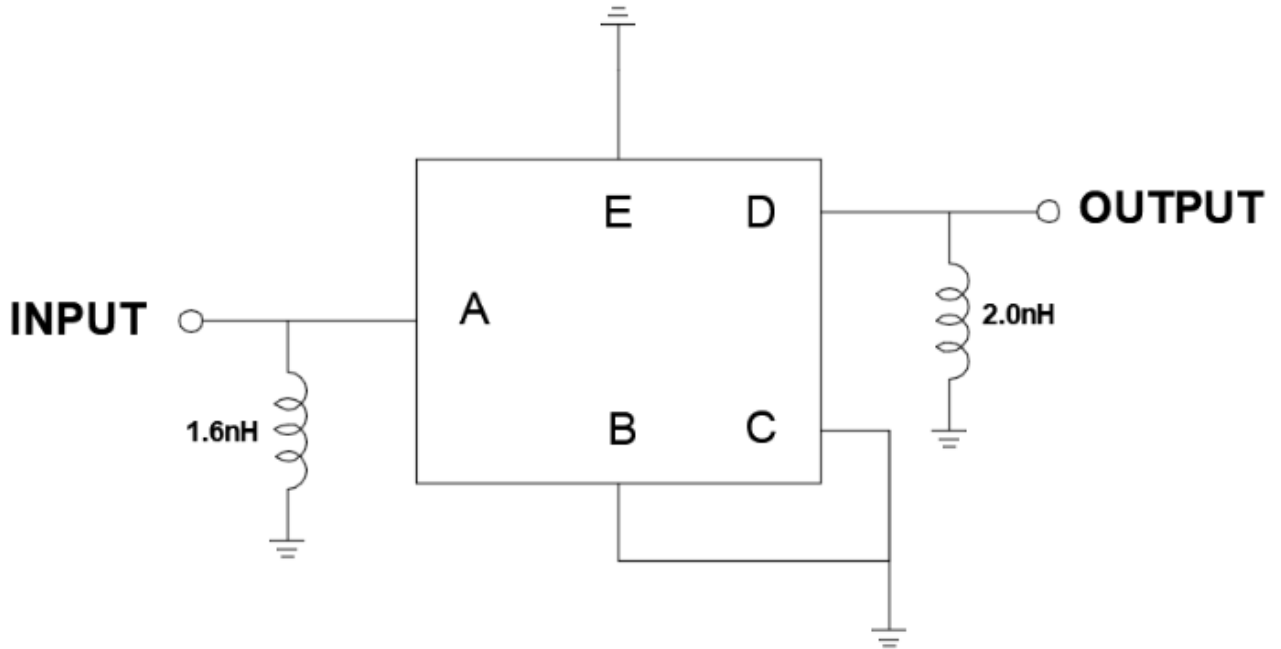


Pin Description	
B, C, E	Ground
A	Input
D	Output

**SAW Filter 2593.0MHz**  
**Part No: MP09311**

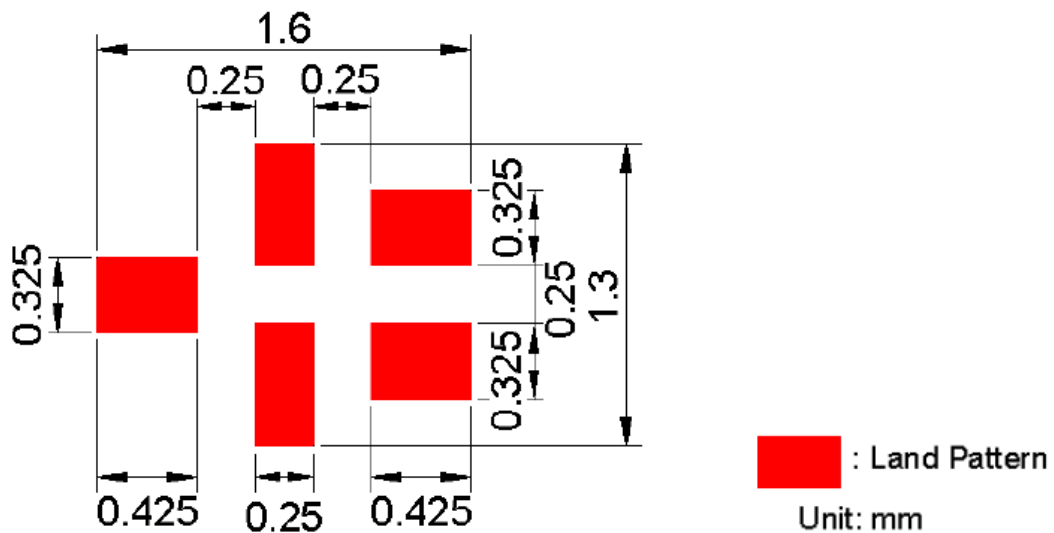
**Model: TA2326A**  
**Rev No: 1**

**D. MEASUREMENT CIRCUIT:**



Source & Load Impedance: 50  $\Omega$

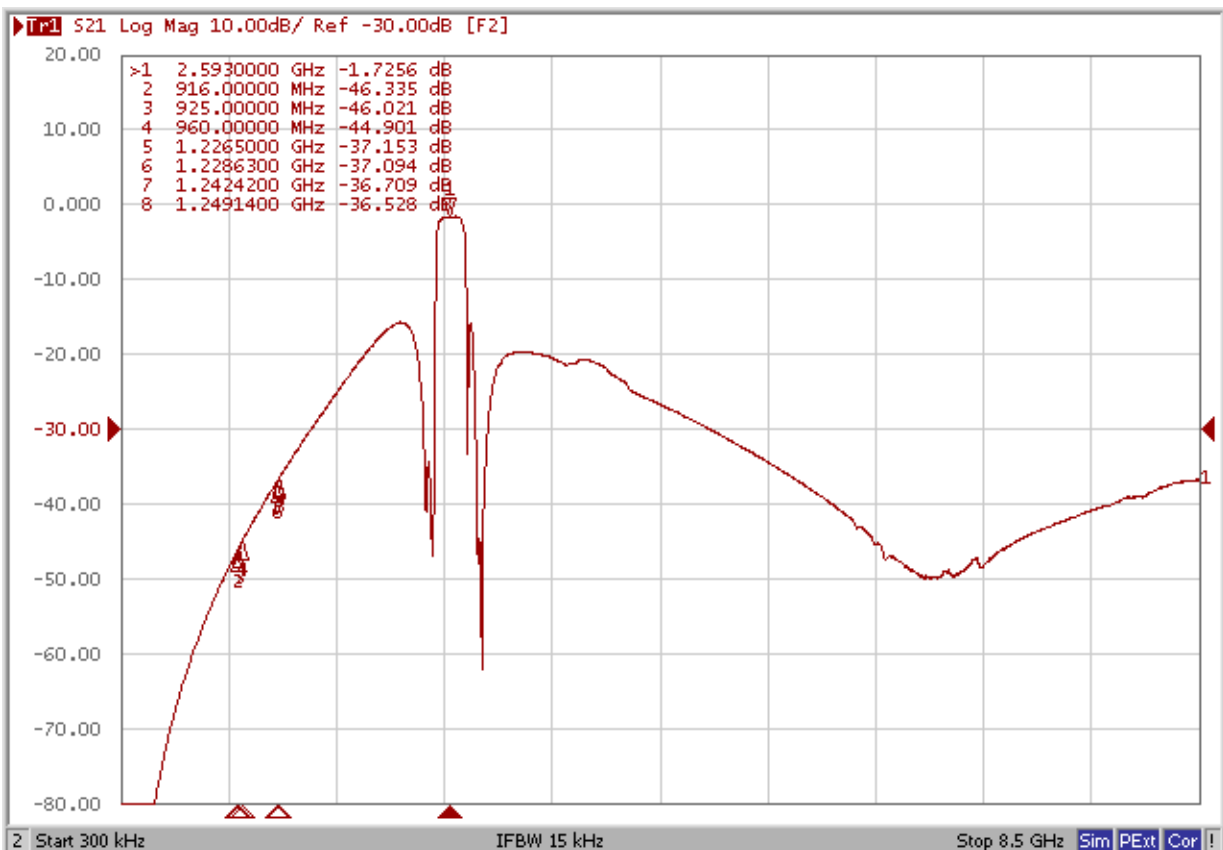
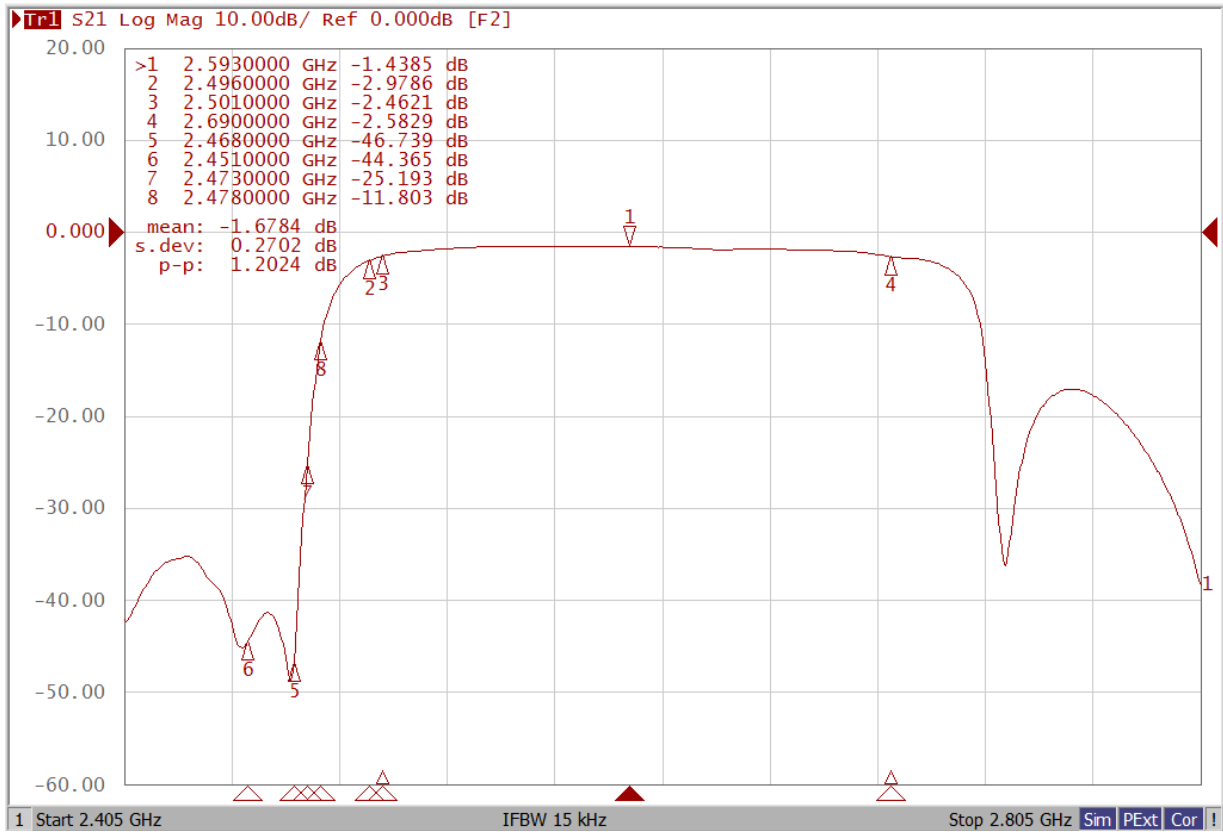
**E. PCB FOOTPRINT:**



**SAW Filter 2593.0MHz**  
**Part No: MP09311**

**Model: TA2326A**  
**Rev No: 1**

**F. FREQUENCY CHARACTERISTICS:**

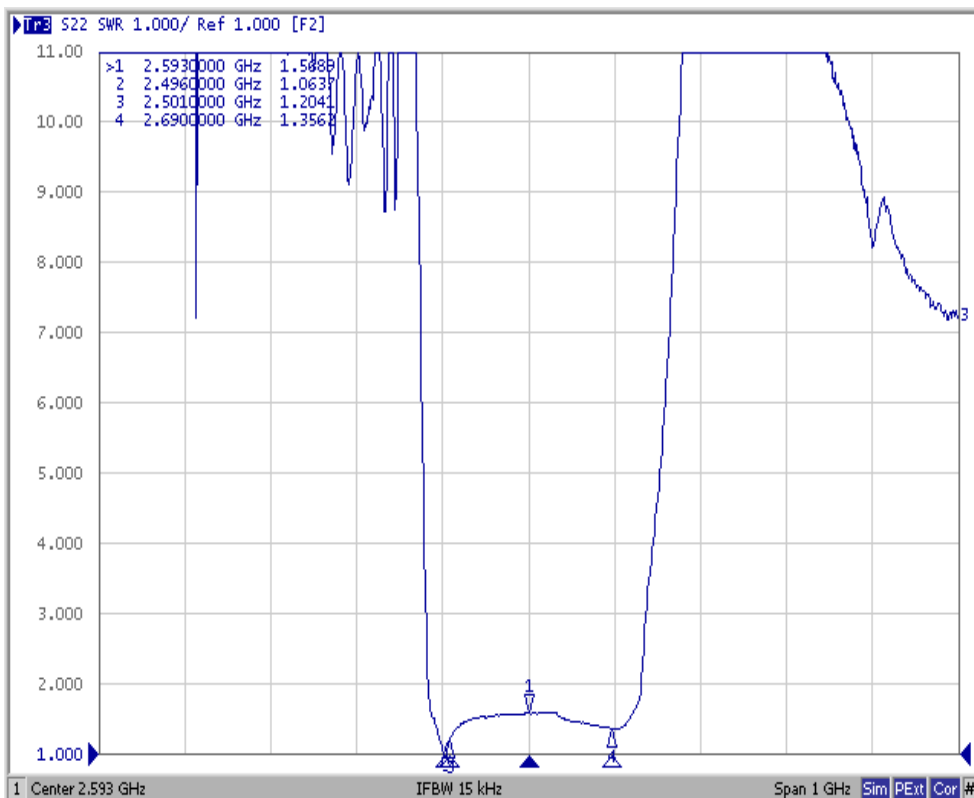
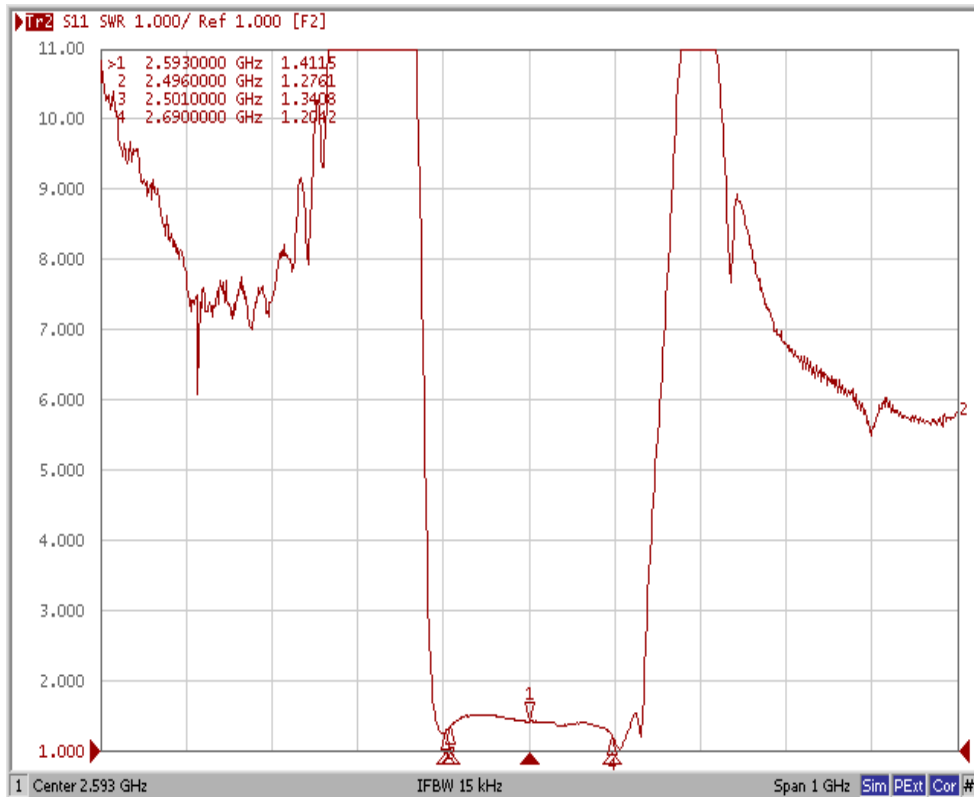


**SAW Filter 2593.0MHz**  
**Part No: MP09311**

**Model: TA2326A**  
**Rev No: 1**

Reflection Functions

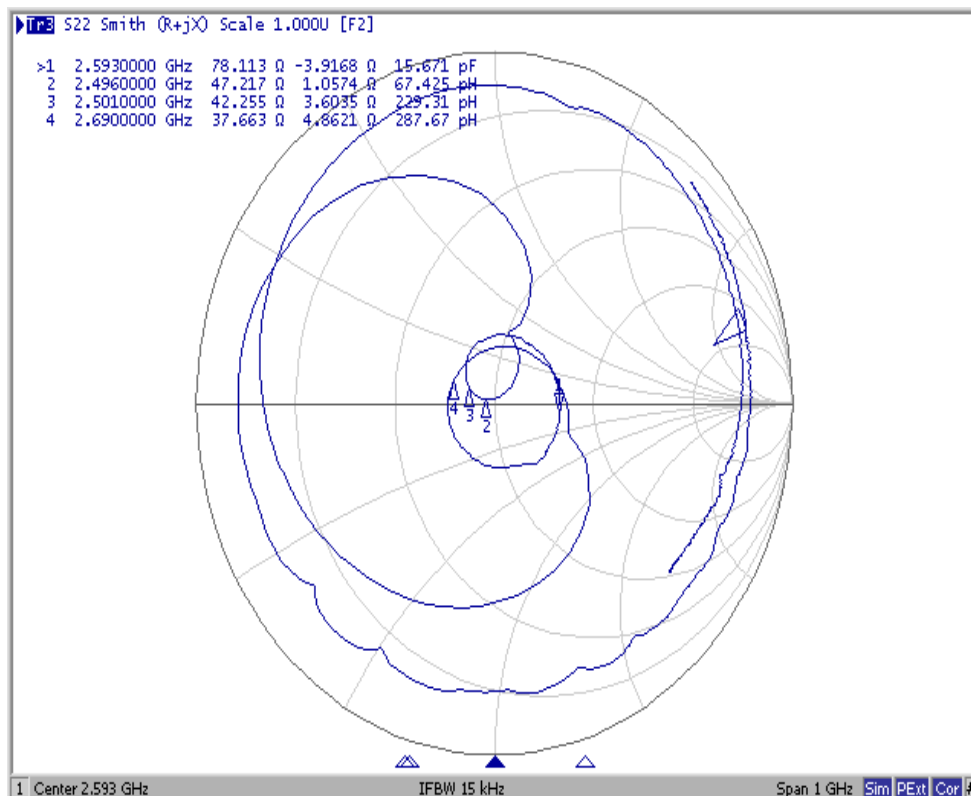
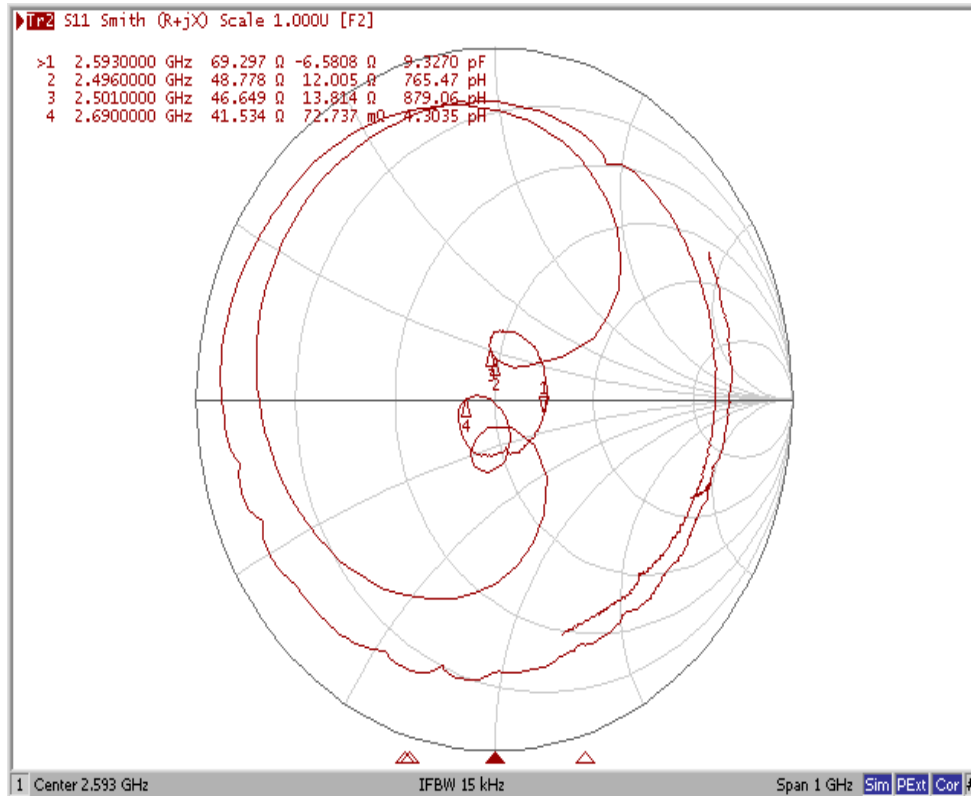
VSWR



**SAW Filter 2593.0MHz**  
**Part No: MP09311**

**Model: TA2326A**  
**Rev No: 1**

### Smith Chart

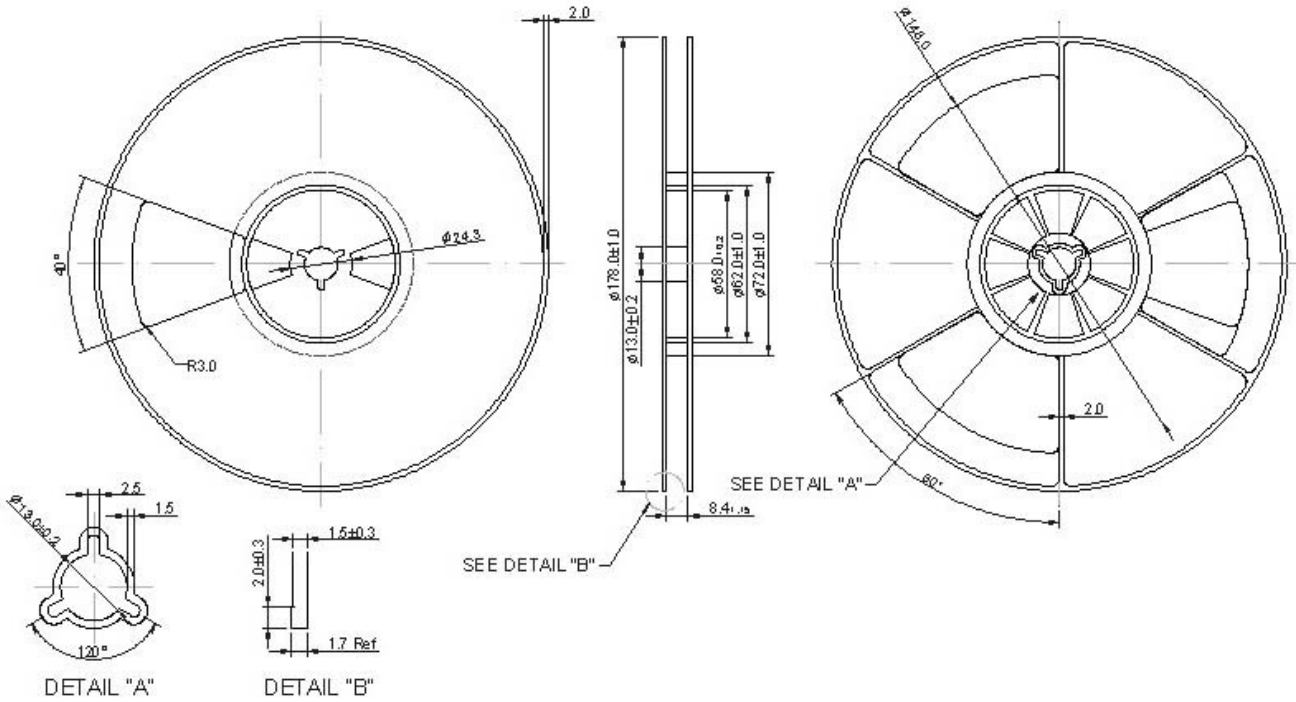


**SAW Filter 2593.0MHz**  
**Part No: MP09311**

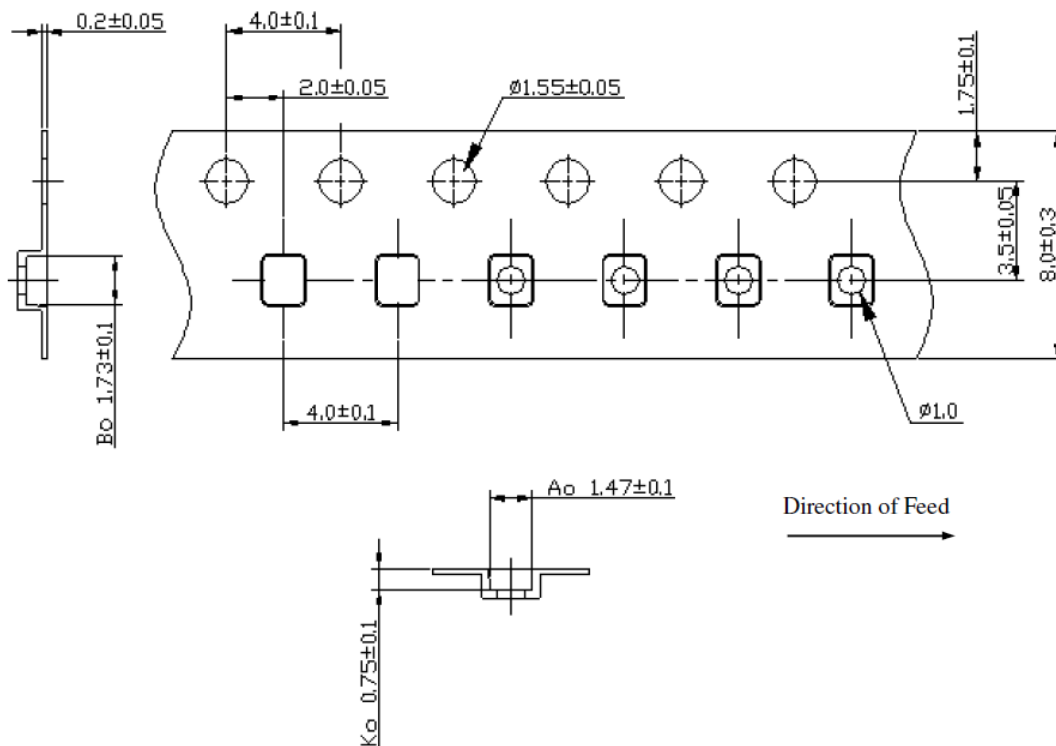
**Model: TA2326A**  
**Rev No: 1**

**G. PACKING:**

1. Reel Dimension



2. Tape Dimension



**SAW Filter 2593.0MHz**  
**Part No: MP09311**

**Model: TA2326A**  
**Rev No: 1**

**H. RECOMMENDED REFLOW PROFILE:**

1. Preheating shall be fixed at 150 ~ 180°C for 60 ~ 90 seconds.
2. Ascending time to preheating temperature 150°C shall be 30 seconds min.
3. Heating shall be fixed at 220°C for 50 ~ 80 seconds and at 245 ~ 260°C peak (min. 10 sec).
4. Time: 2 times.

