

SAW Filter 1135.0MHz

Model: TA2177A

Part No: MP09541

Rev No: 1

A. MAXIMUM RATING:

Electrostatic Sensitive Device (ESD)

1. Input Power Level: 10dBm
2. DC voltage: 3V
3. Operating Temperature: -55°C to +85°C
4. Storage Temperature: -55°C to +85°C

B. ELECTRICAL CHARACTERISTICS:

Item	Unit	Min.	Typ.	Max.
Center frequency Fc	MHz	-	1135	-
Insertion Loss (1113 ~ 1157MHz) IL	dB	-	3.8	4.2
Amplitude Ripple (1113 ~ 1157MHz)	dB	-	0.6	1.5
VSWR (1113 ~ 1157MHz)	-	-	1.5	2.4
Attenuation (Reference level from 0dB)				
10 ~ 1015MHz	dB	23	29	-
1200 ~ 1240MHz	dB	10	14	-
1300 ~ 1500MHz	dB	25	32	-
Temperature Coefficient of Frequency	ppm/°C	-	-80	-

SAW Filter 1135.0MHz

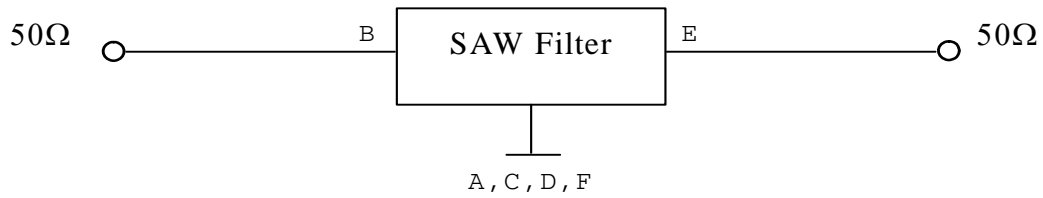
Model: TA2177A

Part No: MP09541

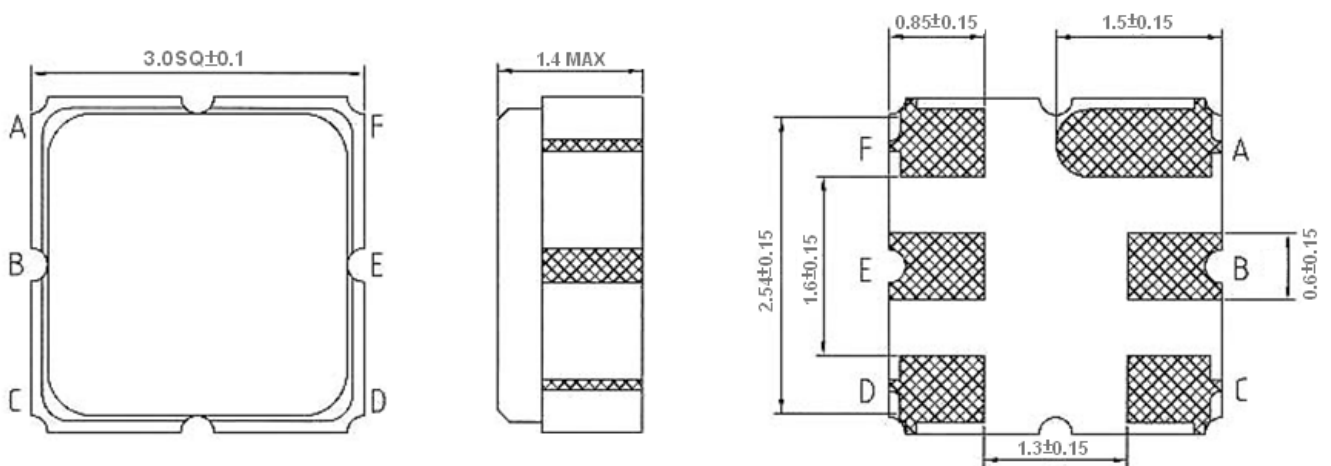
Rev No: 1

C. MEASUREMENT CIRCUIT:

HP Network analyzer

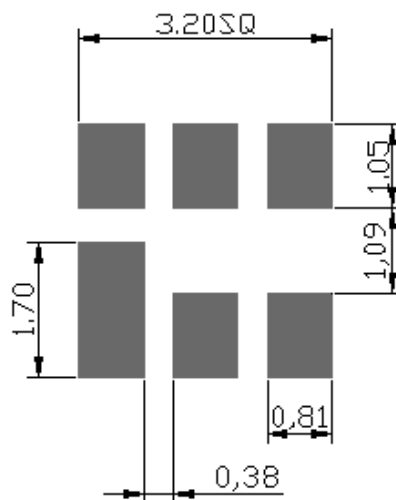


D. OUTLINE DRAWING:



B: Input
 E: Output
 A, C, D, F: Ground
 Unit: mm

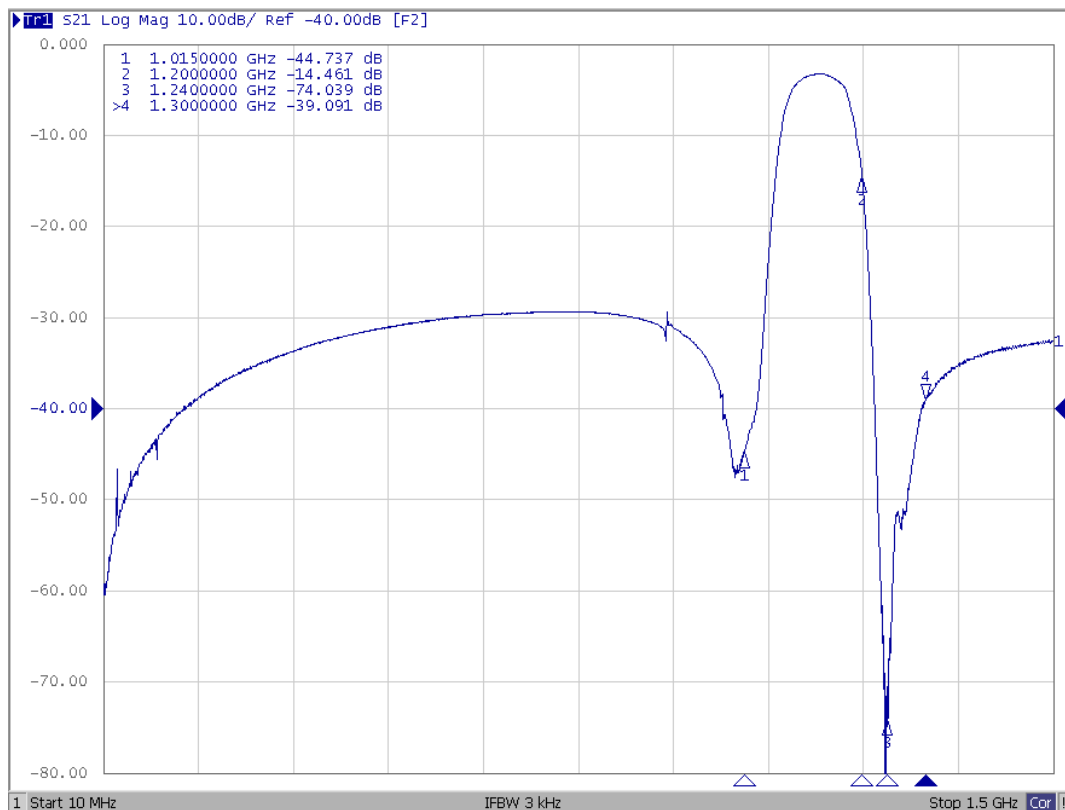
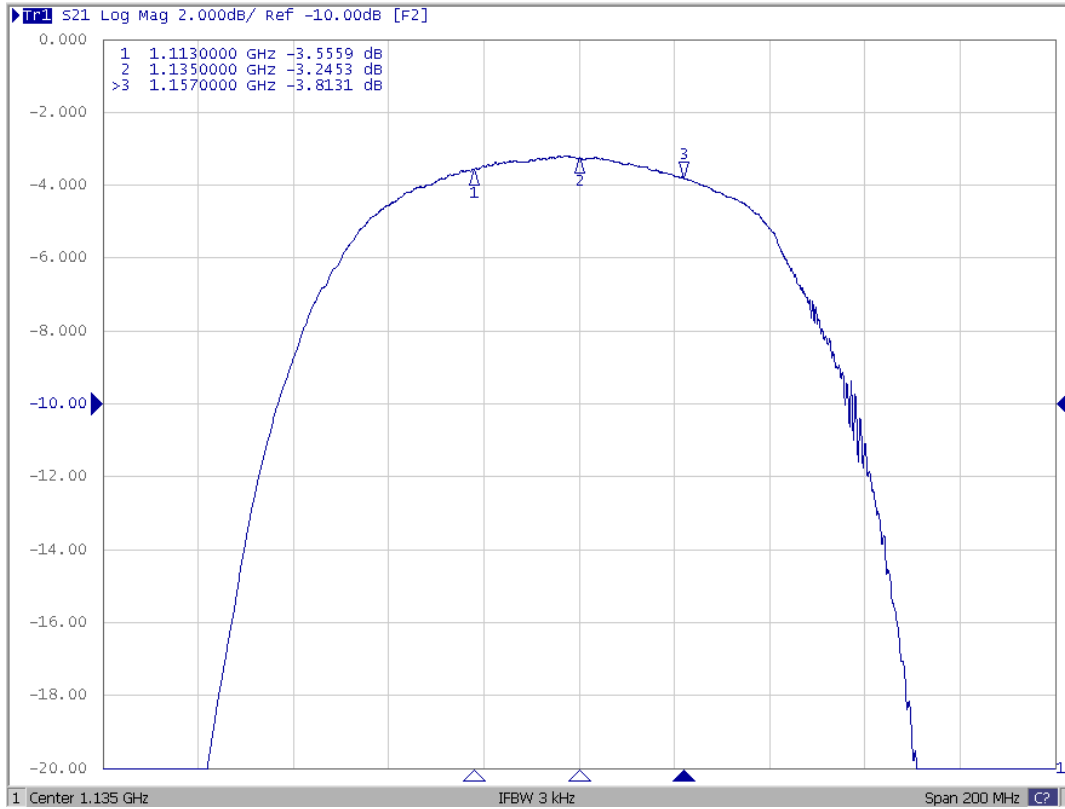
E. PCB FOOTPRINT:



SAW Filter 1135.0MHz
Part No: MP09541

Model: TA2177A
Rev No: 1

F. FREQUENCY CHARACTERISTICS:

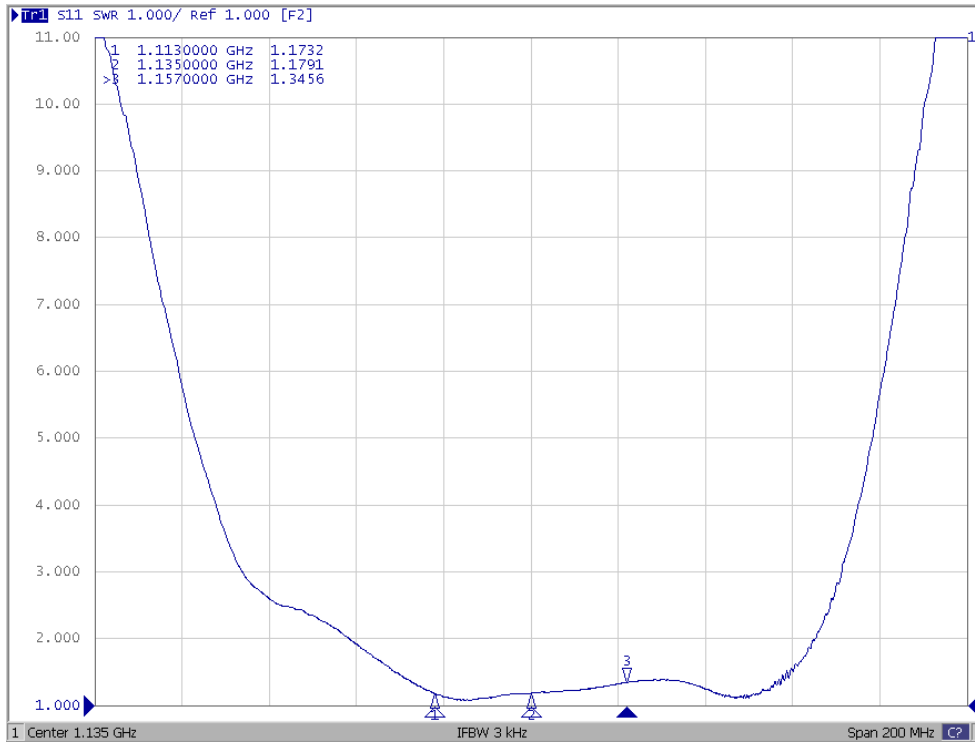


SAW Filter 1135.0MHz
Part No: MP09541

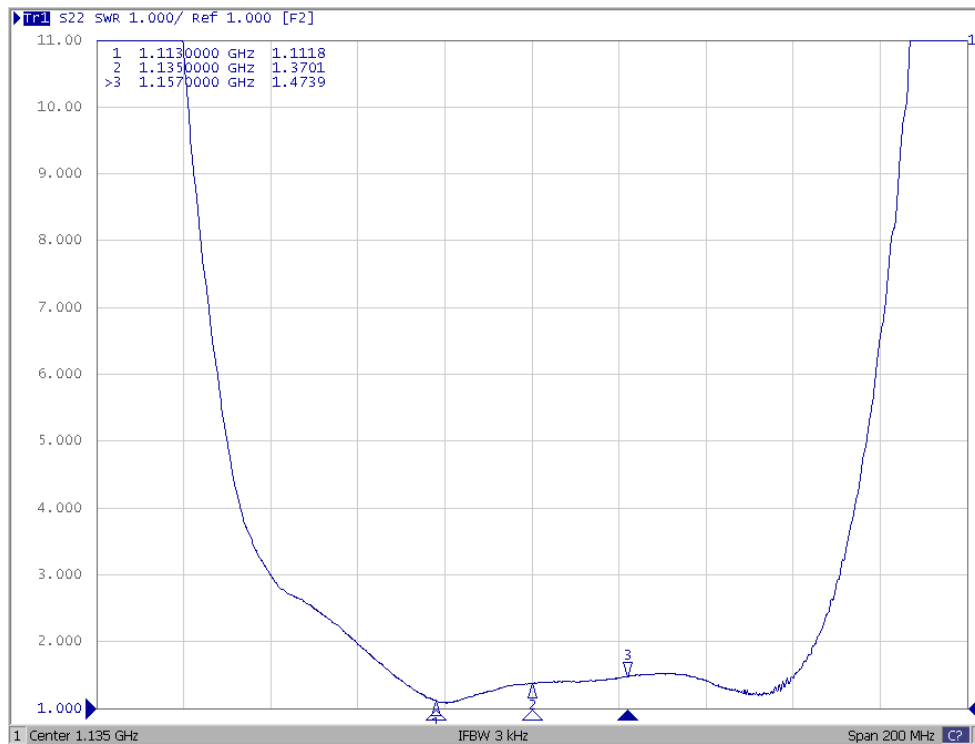
Model: TA2177A
Rev No: 1

Reflection Functions

S11



S22

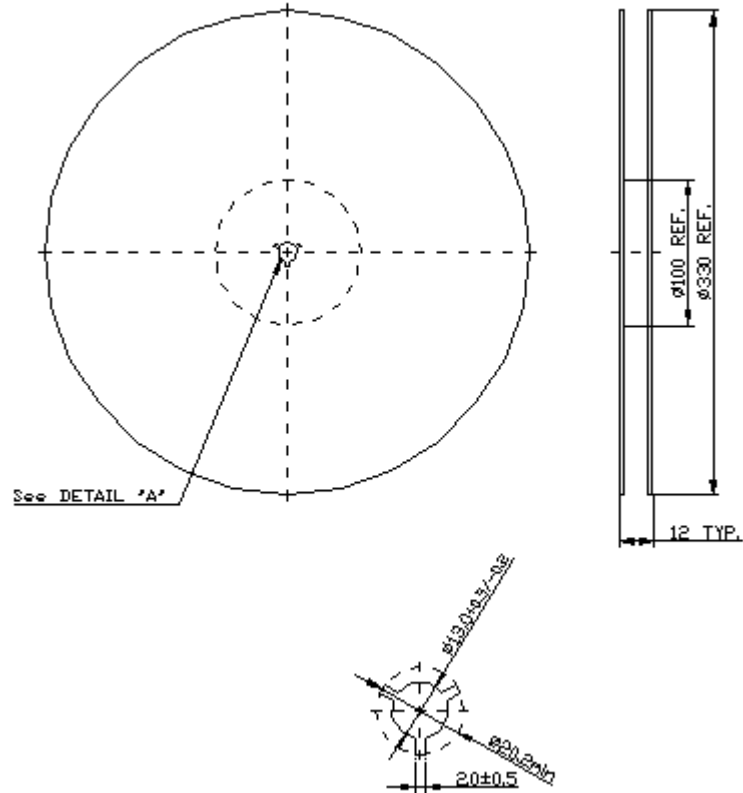


SAW Filter 1135.0MHz
Part No: MP09541

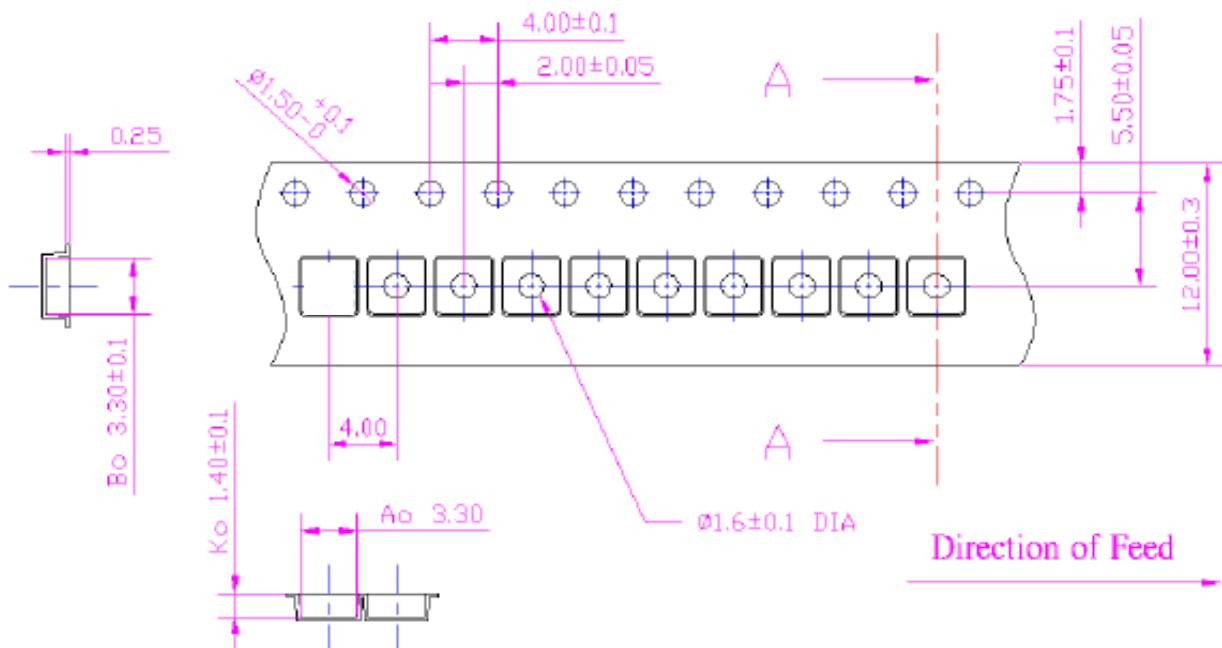
Model: TA2177A
Rev No: 1

G. PACKING:

1. Reel Dimension



2. Tape Dimension



SAW Filter 1135.0MHz

Model: TA2177A

Part No: MP09541

Rev No: 1

H. RECOMMENDED REFLOW PROFILE:

1. Preheating shall be fixed at 150 ~ 180°C for 60 ~ 90 seconds.
2. Ascending time to preheating temperature 150°C shall be 30 seconds min.
3. Heating shall be fixed at 220°C for 50 ~ 80 seconds and at 260°C +0/-5°C peak (20 ~ 40 sec).
4. Time: 2 times.

