

**SAW Filter 1278.750MHz**  
**Part No: MP08405**

**Part No: TA1957A**  
**Rev No: 1**

**A. MAXIMUM RATING:**

Electrostatic Sensitive Device (ESD)

1. Input Power Level: 10dBm
2. DC Voltage: 3V
3. Operating Temperature: -40°C to +85°C
4. Storage Temperature: -40°C to +85°C

**B. ELECTRICAL CHARACTERISTICS:**

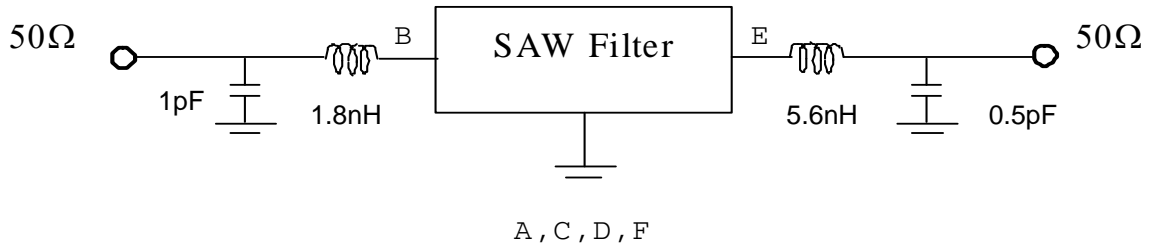
Item	Unit	Min.	Typ.	Max.
Center frequency Fc	MHz	-	1278.75	-
Insertion Loss (1251.25 ~ 1306.25MHz) IL	dB	-	2.0	5.0
Amplitude Ripple (1251.25 ~ 1306.25MHz)	dB	-	0.6	2.5
Return Loss (1251.25 ~ 1306.25MHz)	dB	6.0	12	-
Group Delay Variation (1251.25 ~ 1306.25MHz)	ns	-	12	50
Attenuation (Reference level from 0dB)				
10 ~ 1124MHz	dB	30	33	-
1124 ~ 1214MHz	dB	24	27	-
1343 ~ 1348MHz	dB	25	28	-
1348 ~ 1434MHz	dB	25	28	-
1434 ~ 1650MHz	dB	30	33	-
1650 ~ 3000MHz	dB	25	30	-
Temperature coefficient of frequency	ppm/k	-	-36	-

**SAW Filter 1278.750MHz**  
**Part No: MP08405**

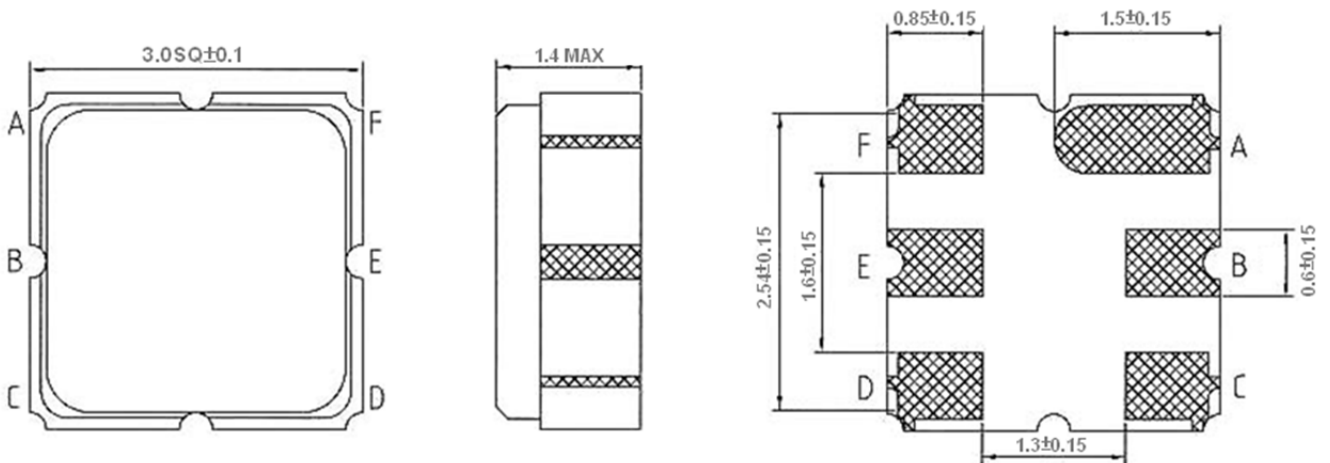
**Part No: TA1957A**  
**Rev No: 1**

**C. MEASUREMENT CIRCUIT:**

HP Network analyzer

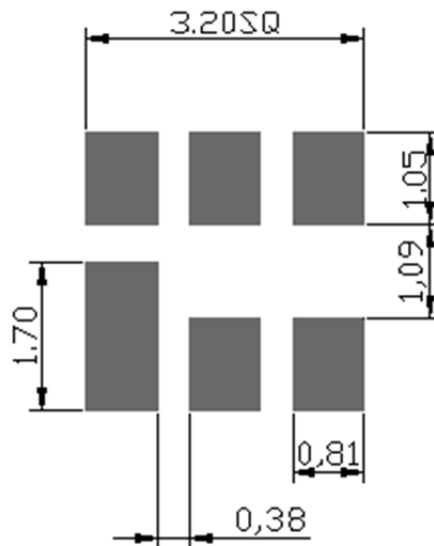


**D. OUTLINE DRAWING:**



B: Input  
 E: Output  
 A, C, D, F: Ground  
 Unit: mm

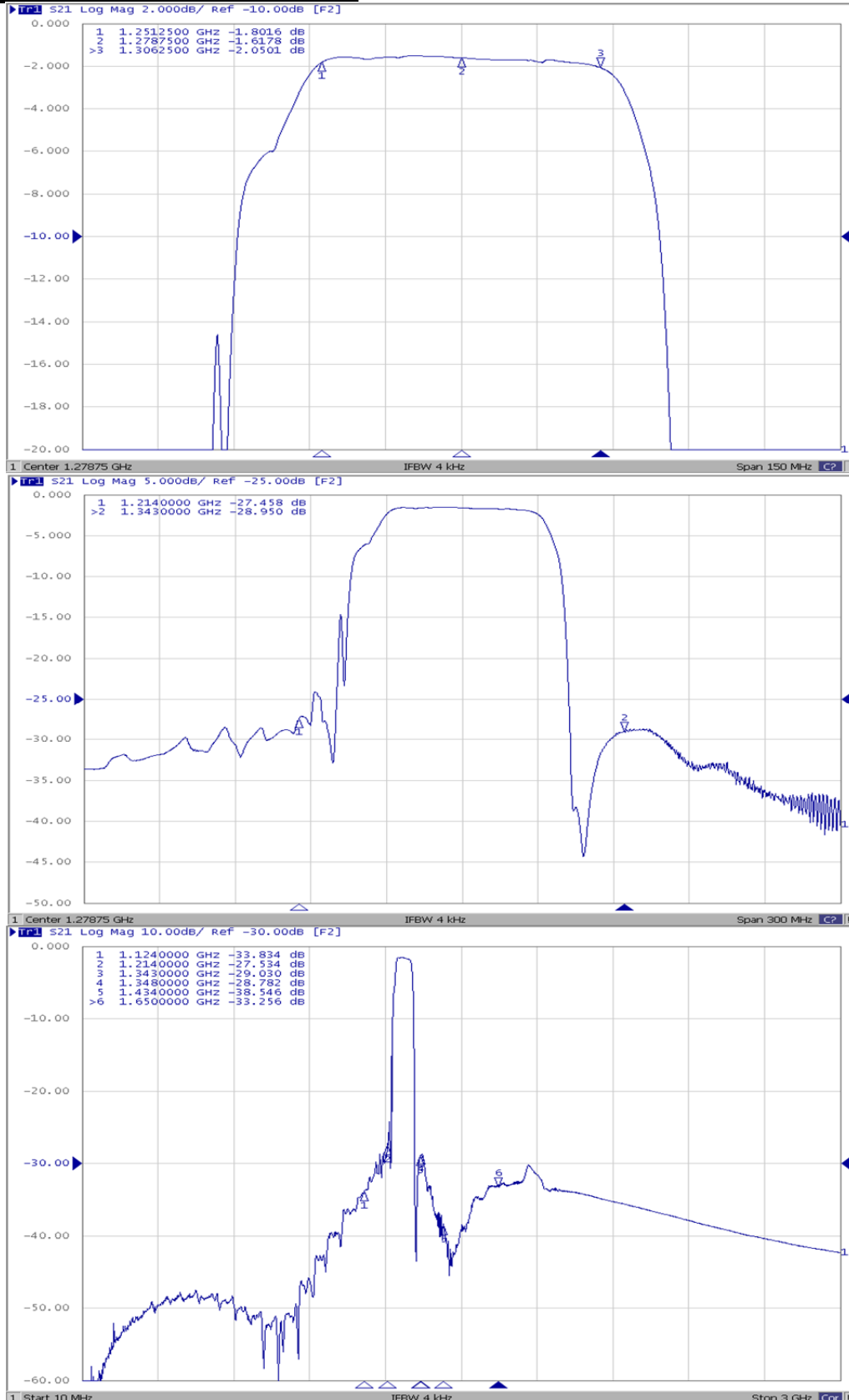
**E. PCB FOOTPRINT:**



**SAW Filter 1278.750MHz**  
**Part No: MP08405**

**Part No: TA1957A**  
**Rev No: 1**

**F. FREQUENCY CHARACTERISTICS:**

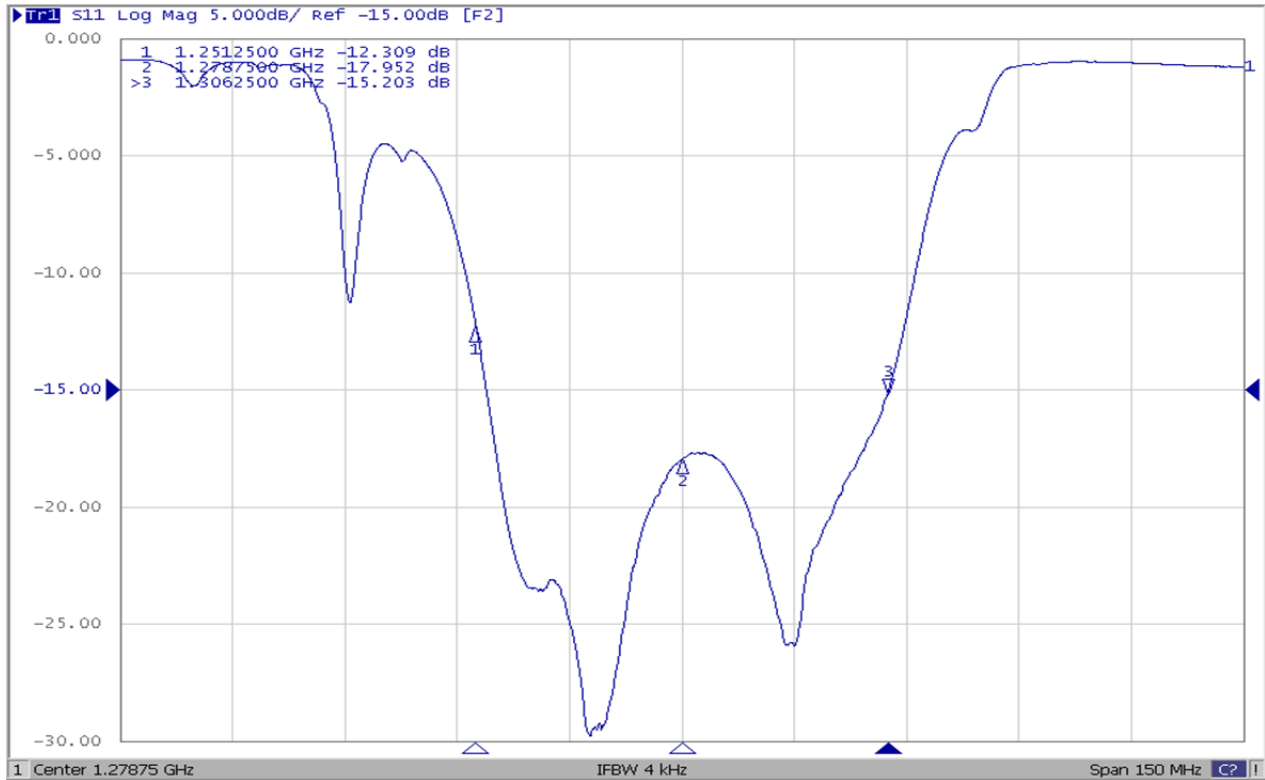


**SAW Filter 1278.750MHz**  
**Part No: MP08405**

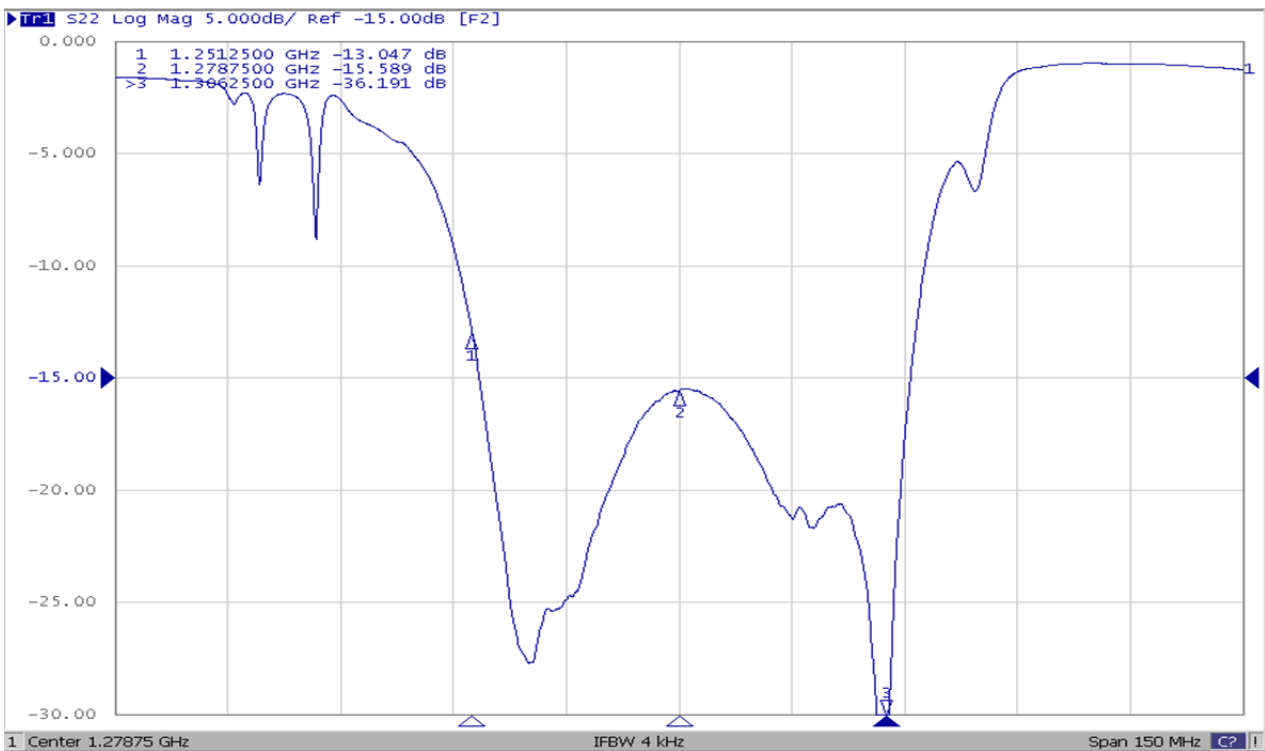
**Part No: TA1957A**  
**Rev No: 1**

Reflection Functions

S11



S22

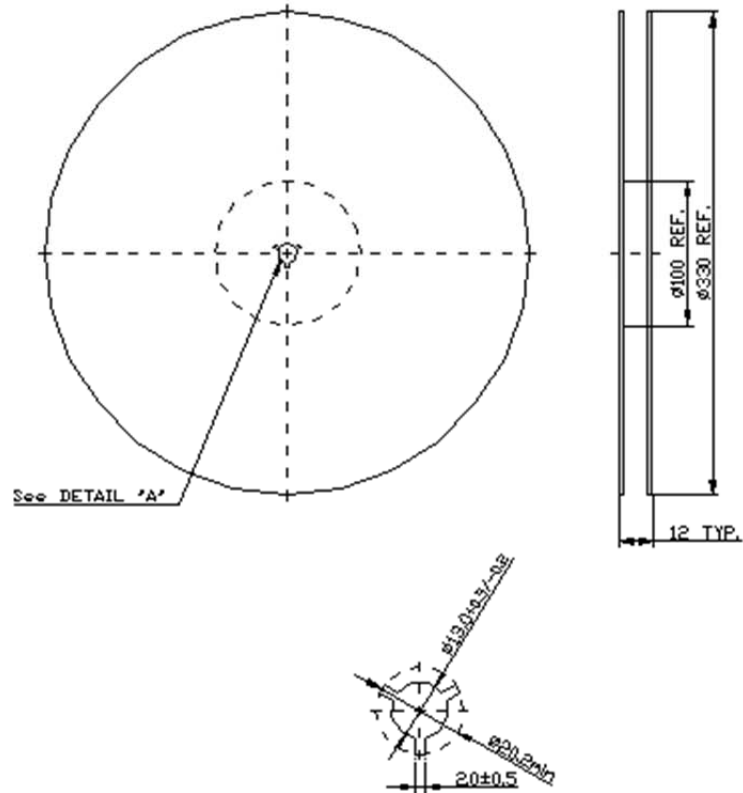


**SAW Filter 1278.750MHz**  
**Part No: MP08405**

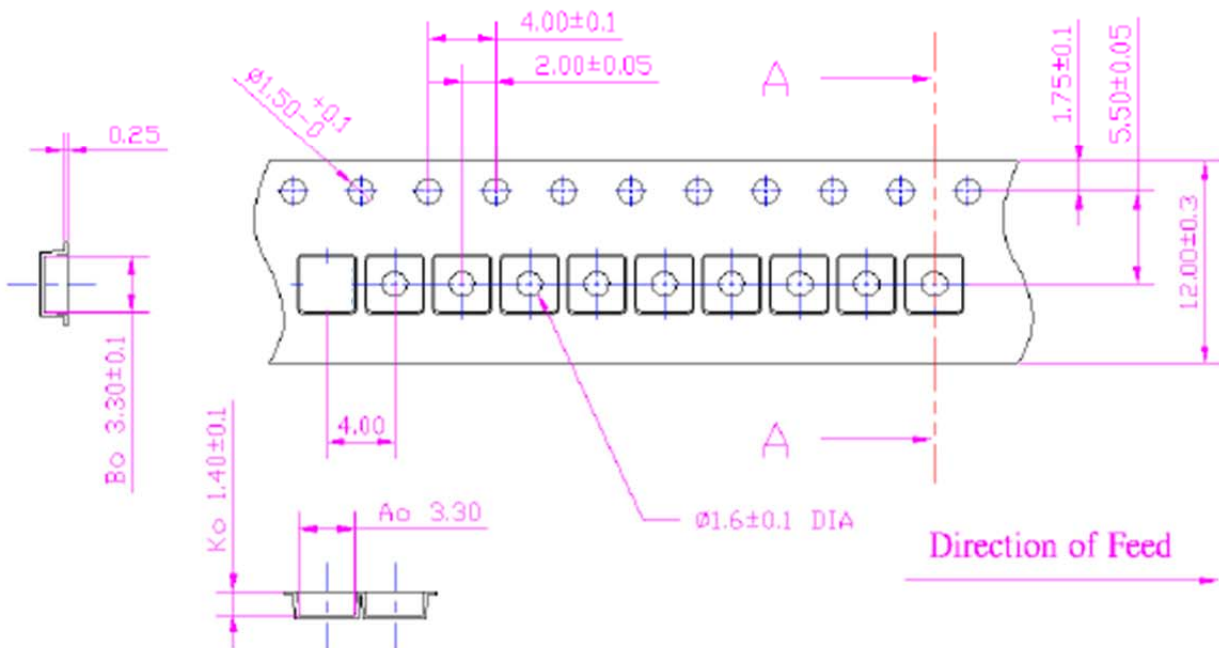
**Part No: TA1957A**  
**Rev No: 1**

**G. PACKING:**

1. Reel Dimension



2. Tape Dimension



**SAW Filter 1278.750MHz**  
**Part No: MP08405**

**Part No: TA1957A**  
**Rev No: 1**

**H. RECOMMENDED REFLOW PROFILE:**

1. Preheating shall be fixed at 150 ~ 180°C for 60 ~ 90 seconds.
2. Ascending time to preheating temperature 150°C shall be 30 seconds min.
3. Heating shall be fixed at 220°C for 50 ~ 80 seconds and at 260°C +0/-5° peak (20 ~ 40 sec).
4. Time: 2 times.

