

**SAW Filter 353.50MHz**  
**Part No: MP09852**

**Model: TA2495A**  
**Rev No: 1**

**A. MAXIMUM RATING:**

Electrostatic Sensitive Device (ESD)

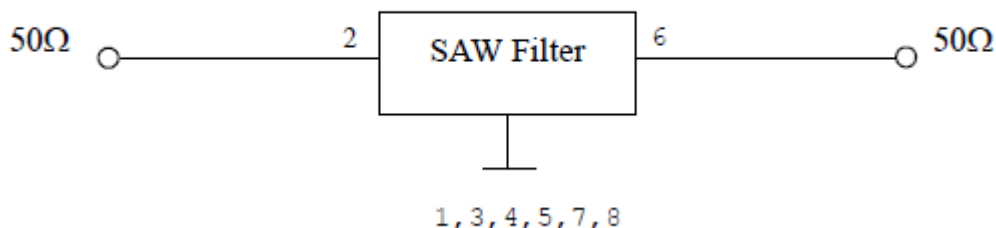
1. Input Power Level: 10dBm
2. DC voltage: 3V
3. Operating Temperature: -10°C to +65°C
4. Storage Temperature: -40°C to +85°C
5. Moisture Sensitivity Level: Level 1 (MSL1)

**B. ELECTRICAL CHARACTERISTICS:**

Item	Unit	Min	Typ.	Max
Center Frequency Fc	MHz		353.5	
Insertion Loss 351 ~ 356MHz IL	dB		1.7	2.5
Return Loss 351~356MHz IL	dB	10	18	
Amplitude ripple	dB		0.4	1.5
Bandwidth (-3dB) 351 ~ 356MHz	MHz	5	14	
Attenuation (Reference level from 0dB)				
10 ~ 300MHz	dB	45	55	
300 ~ 335MHz	dB	35	48	
373 ~ 400MHz	dB	25	41	
400 ~ 830MHz	dB	38	42	
830 ~ 1200MHz	dB	30	34	
Temperature Coefficient of Frequency	ppm/°C		-36	

**C. MEASUREMENT CIRCUIT:**

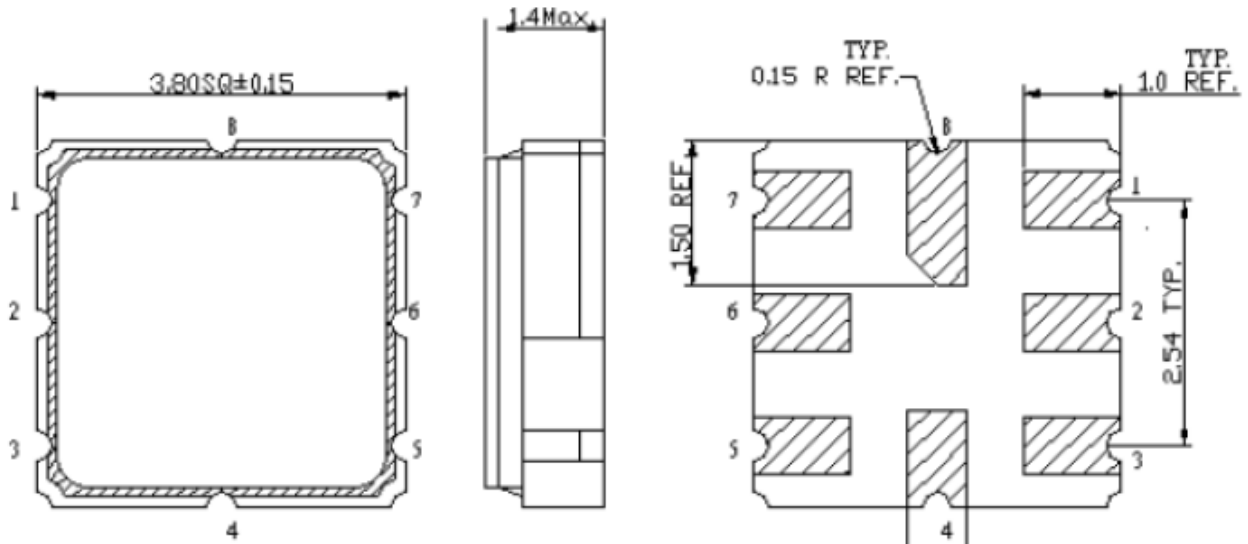
HP Network analyzer



**SAW Filter 353.50MHz**  
**Part No: MP09852**

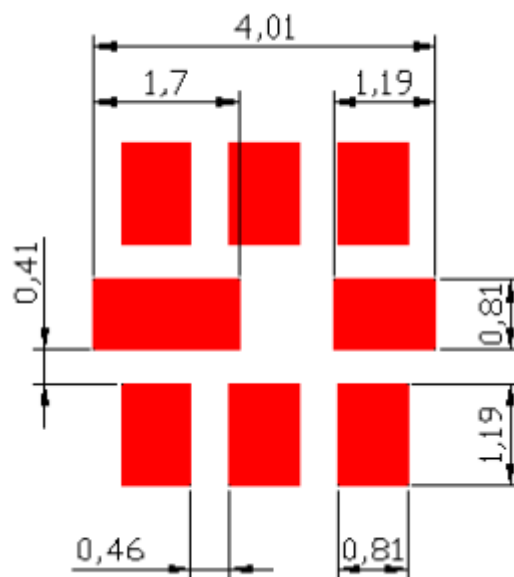
**Model: TA2495A**  
**Rev No: 1**

**D. OUTLINE DRAWING:**



2 : Input  
 6: Output  
 1,3,4,5,7,8: Ground

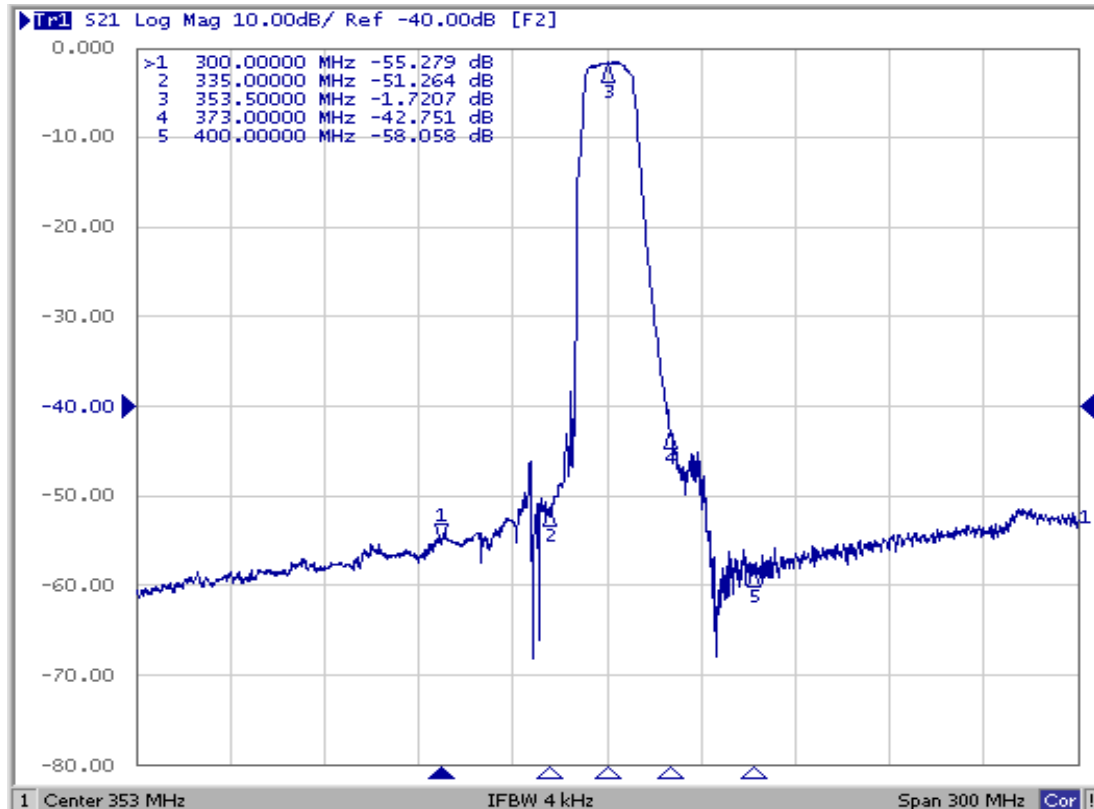
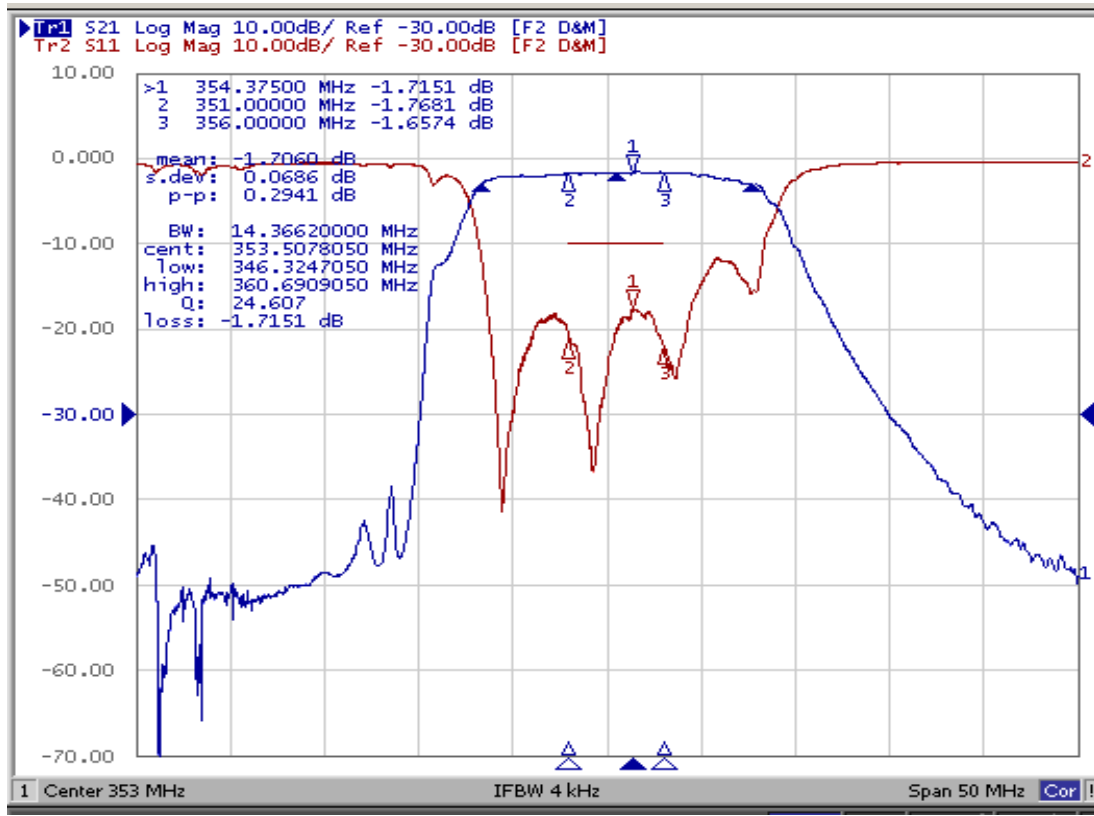
**E. PCB FOOTPRINT:**



**SAW Filter 353.50MHz**  
**Part No: MP09852**

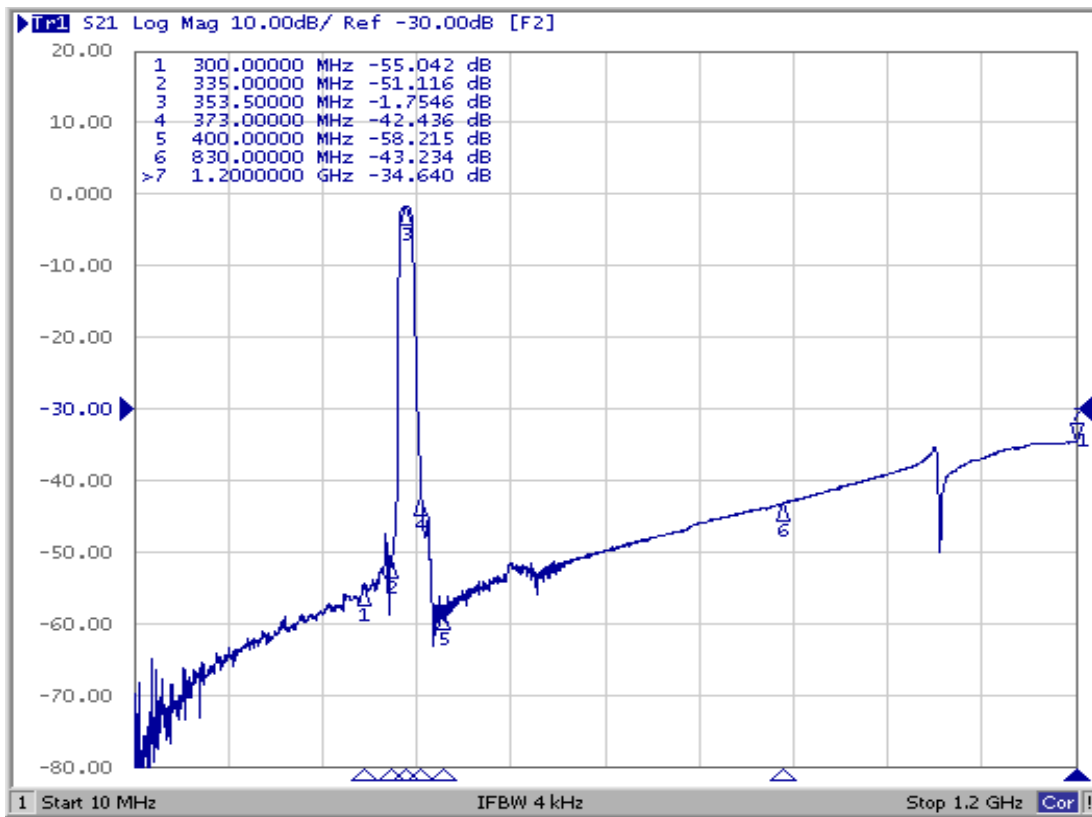
**Model: TA2495A**  
**Rev No: 1**

**F. FREQUENCY CHARACTERISTICS:**



**SAW Filter 353.50MHz**  
**Part No: MP09852**

**Model: TA2495A**  
**Rev No: 1**

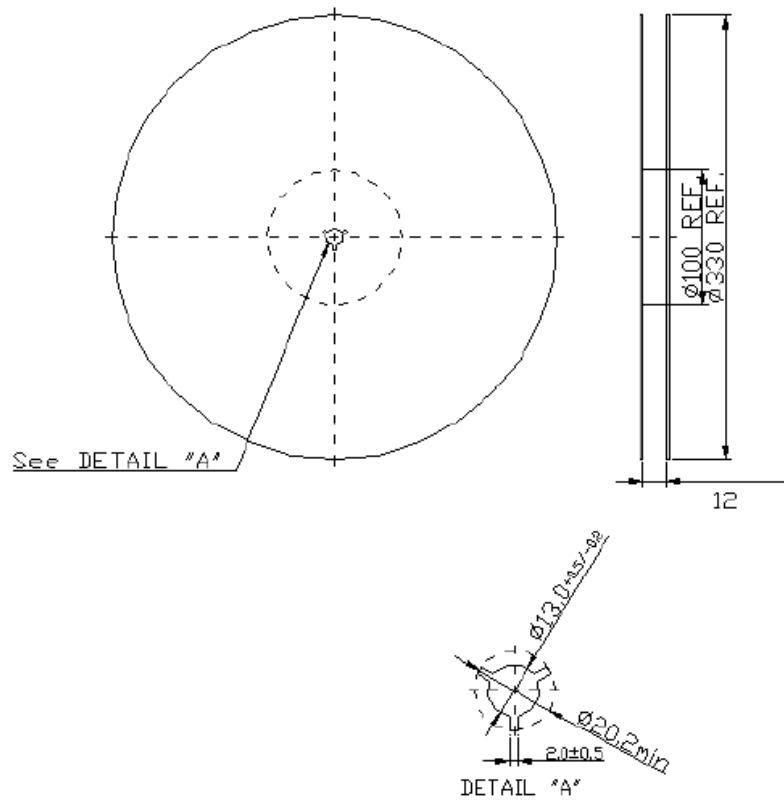


**SAW Filter 353.50MHz**  
**Part No: MP09852**

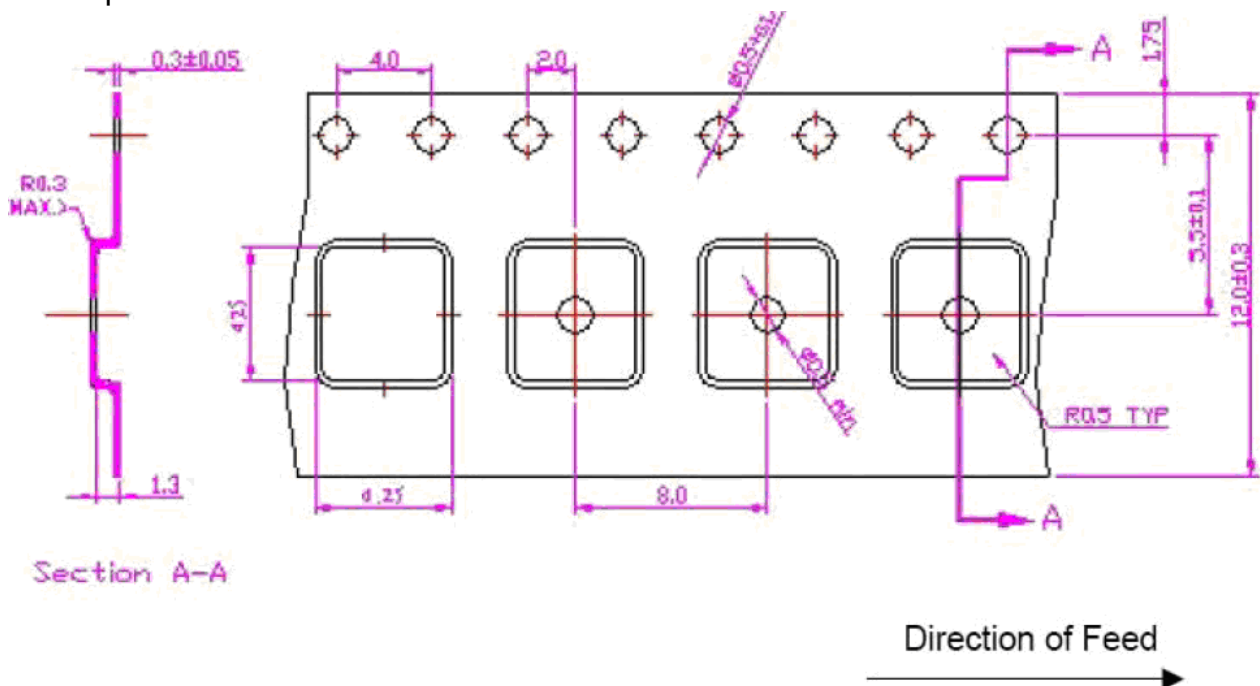
**Model: TA2495A**  
**Rev No: 1**

**G. PACKING:**

1. Reel Dimension



2. Tape Dimension



**SAW Filter 353.50MHz**  
**Part No: MP09852**

**Model: TA2495A**  
**Rev No: 1**

**H. RECOMMENDED REFLOW PROFILE:**

1. Preheating shall be fixed at 150 ~ 180°C for 60 ~ 90 seconds.
2. Ascending time to preheating temperature 150°C shall be 30 seconds min.
3. Heating shall be fixed at 220°C for 50 ~ 80 seconds and at 260°C +0/-5°C peak (20 ~ 40 sec).
4. Time: 2 times.

