

SAW Filter 3450.0MHz
Part No: MP09833

Model: TA2544A
Rev No: 1

A. MAXIMUM RATING:

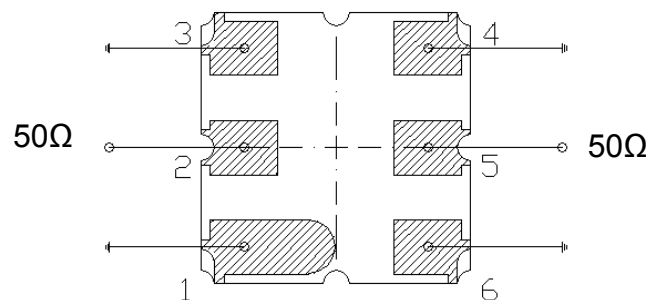
Electrostatic Sensitive Device (ESD)

1. Input Power Level: 20dBm
2. DC voltage: 3V
3. Operating Temperature: -40°C to +85°C
4. Storage Temperature: -40°C to +85°C
5. Moisture Sensitivity Level: Level 1 (MSL1)

B. ELECTRICAL CHARACTERISTICS:

Item	Unit	Min.	Typ.	Max.
Center frequency Fc	MHz	-	3450	-
Insertion Loss (3400.86 ~ 3499.14MHz) IL	dB	-	3.9	5.2
Amplitude Ripple (3400.86 ~ 3499.14MHz)	dB p-p	-	1.7	3.0
Attenuation (Reference level from 0dB)				
3260MHz	dB	30	41	-
3295MHz	dB	25	33	-
3380MHz	dB	2.5	4.5	-
3520MHz	dB	2.5	5	-
3575MHz	dB	25	43	-
Temperature Coefficient of Frequency	ppm/°C	-	-36	-

C. MEASUREMENT CIRCUIT:

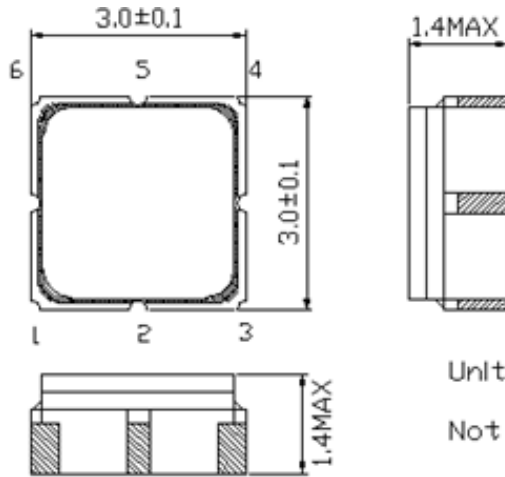


2: Unbalance Port
 5: Unbalance Port
 Others: Ground

SAW Filter 3450.0MHz
Part No: MP09833

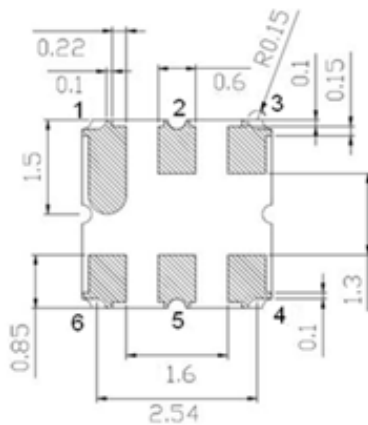
Model: TA2544A
Rev No: 1

D. OUTLINE DRAWING:



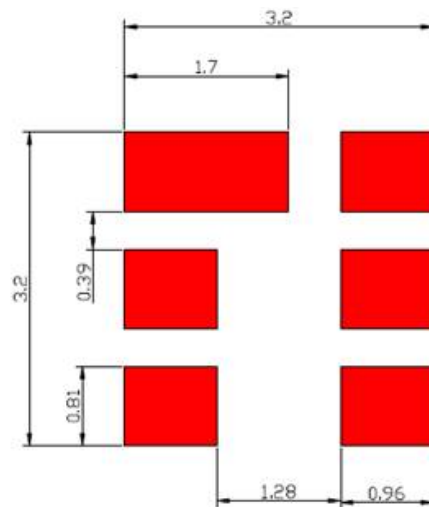
Unit : mm

Not Specified Tolerance : ± 0.15 mm



Pin No.	Symbol	Function
1	GND	Ground
2	IN	Input
3	GND	Ground
4	GND	Ground
5	OUT	Output
6	GND	Ground

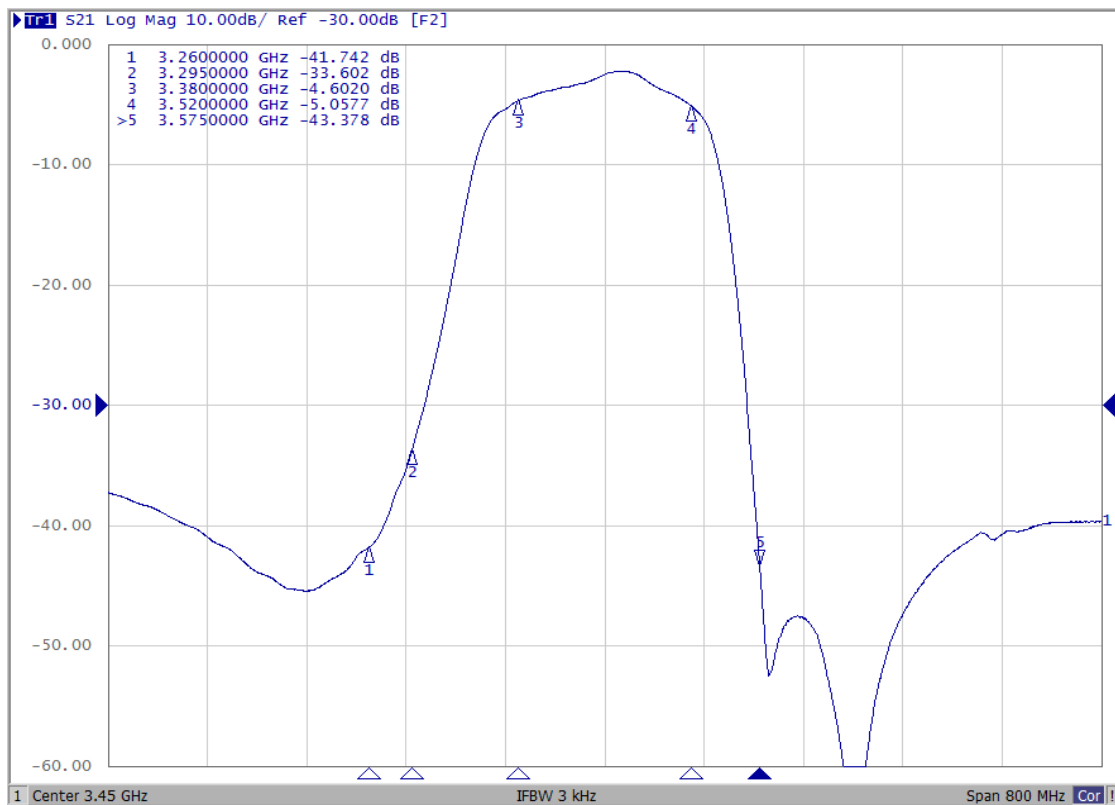
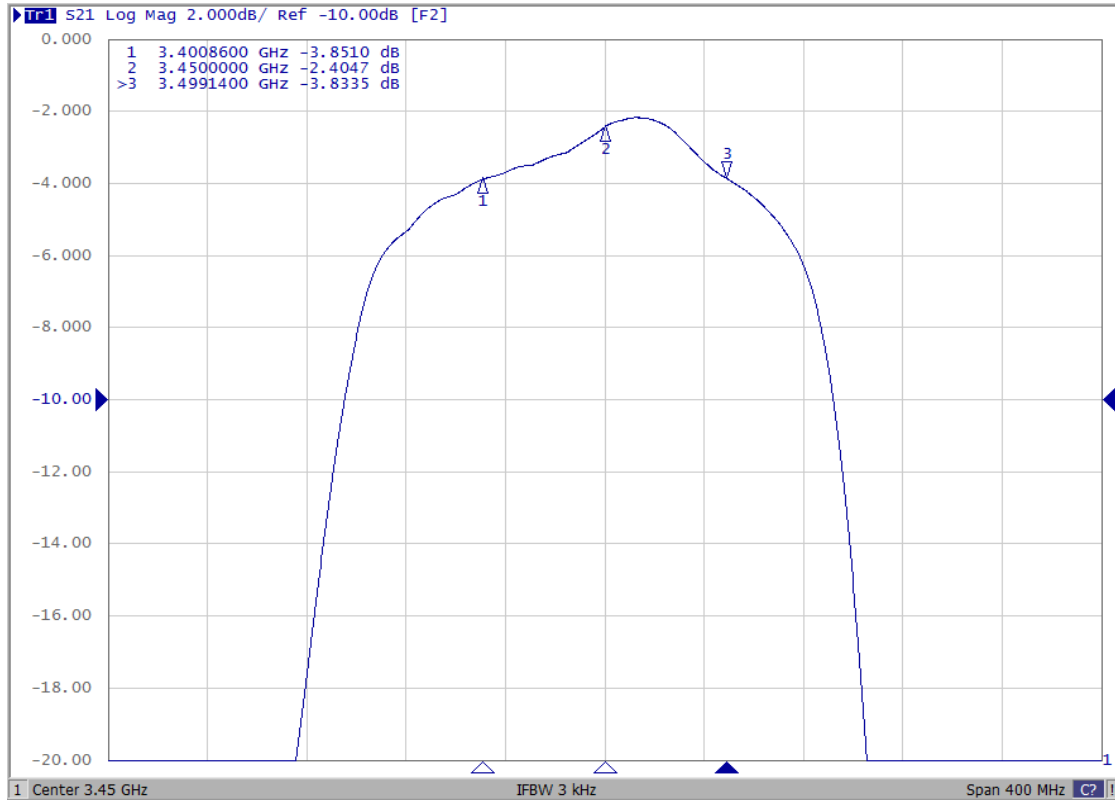
E. PCB FOOTPRINT:



SAW Filter 3450.0MHz
Part No: MP09833

Model: TA2544A
Rev No: 1

F. FREQUENCY CHARACTERISTICS:

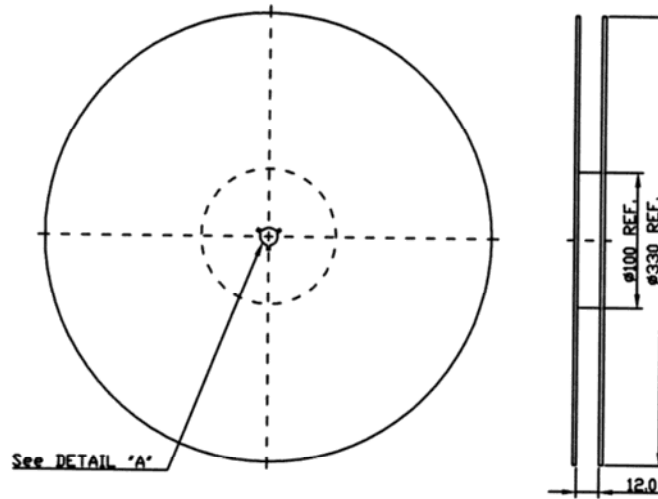


SAW Filter 3450.0MHz
Part No: MP09833

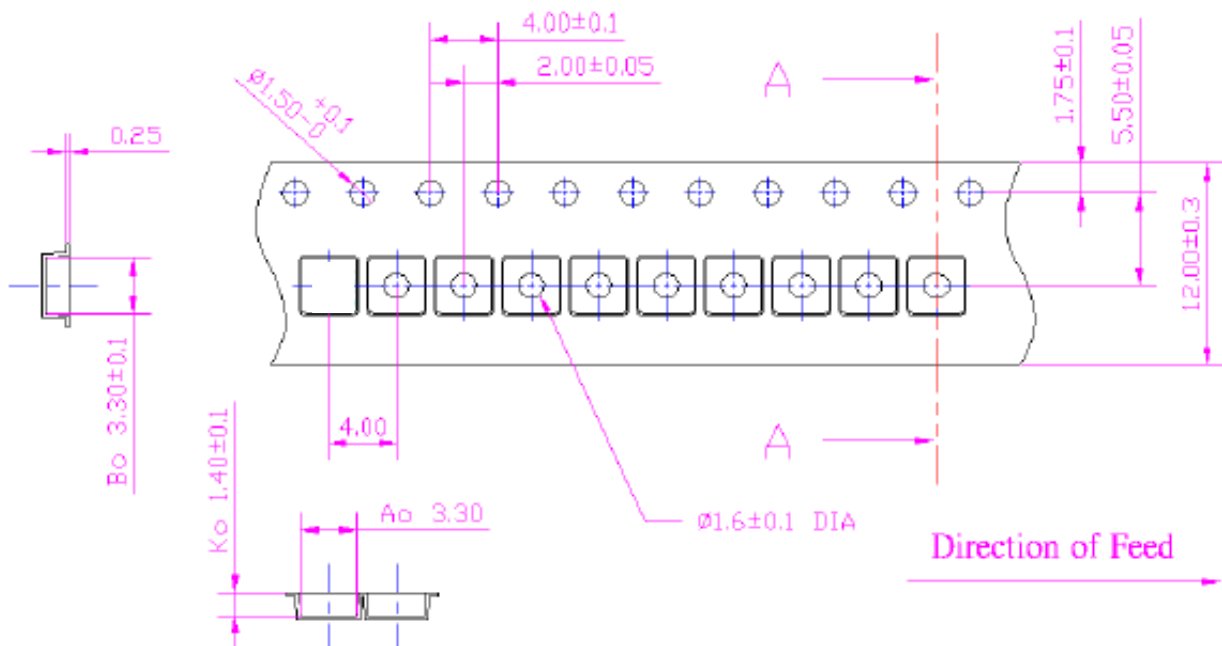
Model: TA2544A
Rev No: 1

G. PACKING:

1. Reel Dimension



2. Tape Dimension



SAW Filter 3450.0MHz
Part No: MP09833

Model: TA2544A
Rev No: 1

H. RECOMMENDED REFLOW PROFILE:

1. Preheating shall be fixed at 150 ~ 180°C for 60 ~ 90 seconds.
2. Ascending time to preheating temperature 150°C shall be 30 seconds min.
3. Heating shall be fixed at 220°C for 50 ~ 80 seconds and at 260°C +0/-5°C peak (20 ~ 40 sec).
4. Time: 2 times.

