

SAW Filter 1587.10MHz
Part No: MP09854

Model: TA2551A
Rev No: 1

A. MAXIMUM RATING:

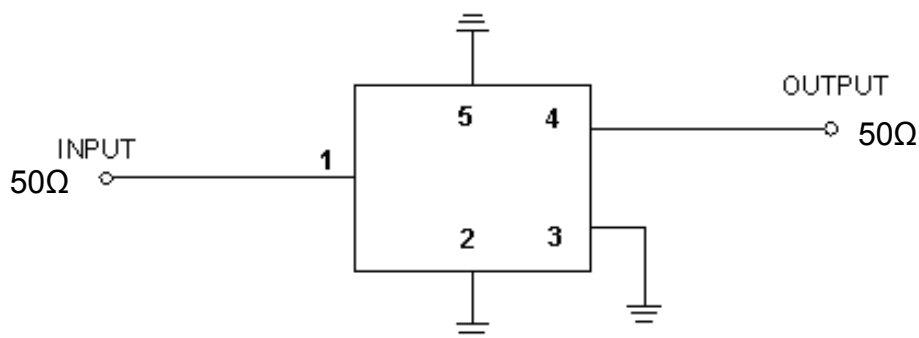
Electrostatic Sensitive Device (ESD)

1. Input Power Level: 10dBm
2. DC Voltage: 3V
3. Operating Temperature: -40°C to +85°C
4. Storage Temperature: -40°C to +85°C
5. Moisture Sensitivity Level: Level 2a (MSL2a)

B. ELECTRICAL CHARACTERISTICS:

Item	Unit	Min.	Typ.	Max.
Center frequency Fc	MHz	-	1587.1	-
Insertion loss (1559.6 ~ 1614.6MHz) IL	dB	-	2.3	4.0
Amplitude ripple (1565.1 ~ 1609.1MHz)	dB	-	0.8	1.2
Group delay ripple (1559.6 ~ 1614.6MHz)	ns	-	9	50
Attenuation (Reference level from 0dB)				
10 ~ 1435MHz	dB	35	47	-
1435 ~ 1525MHz	dB	20	30	-
1653 ~ 1743MHz	dB	25	35	-
1743 ~ 2500MHz	dB	28	39	-
2500 ~ 3000MHz	dB	20	40	-
Temperature coefficient of frequency	ppm/k	-	-36	-

C. MEASUREMENT CIRCUIT:

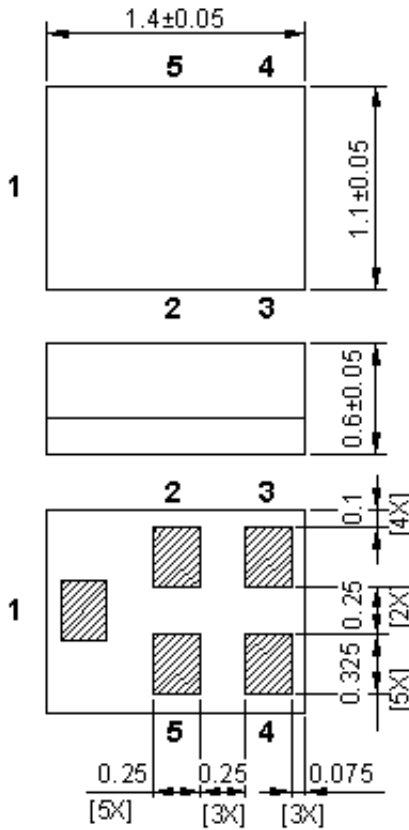


- 1: Unbalanced Port
 4: Unbalanced Port
 Others: Ground

SAW Filter 1587.10MHz
Part No: MP09854

Model: TA2551A
Rev No: 1

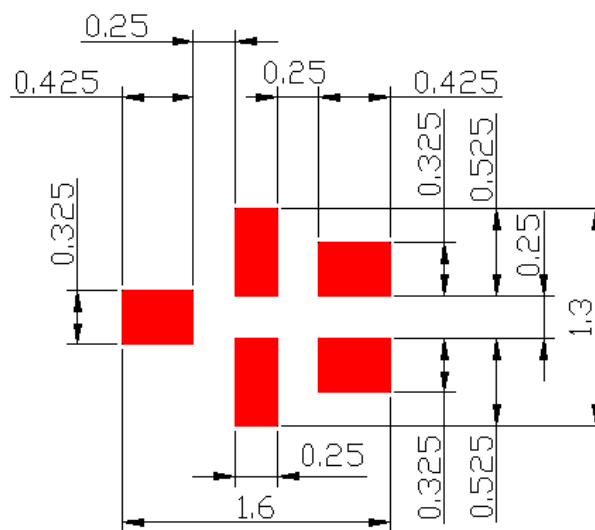
D. OUTLINE DRAWING:



All tolerances are ± 0.05 mm unless otherwise specified
 Coplanarity : 0.1 mm max.
 1 to 5 : Pin No.
 Unit : mm

Pin No.	Symbol	Function
1	IN	Input
2	GND	Ground
3	GND	Ground
4	OUT	Output
5	GND	Ground

E. PCB FOOTPRINT:

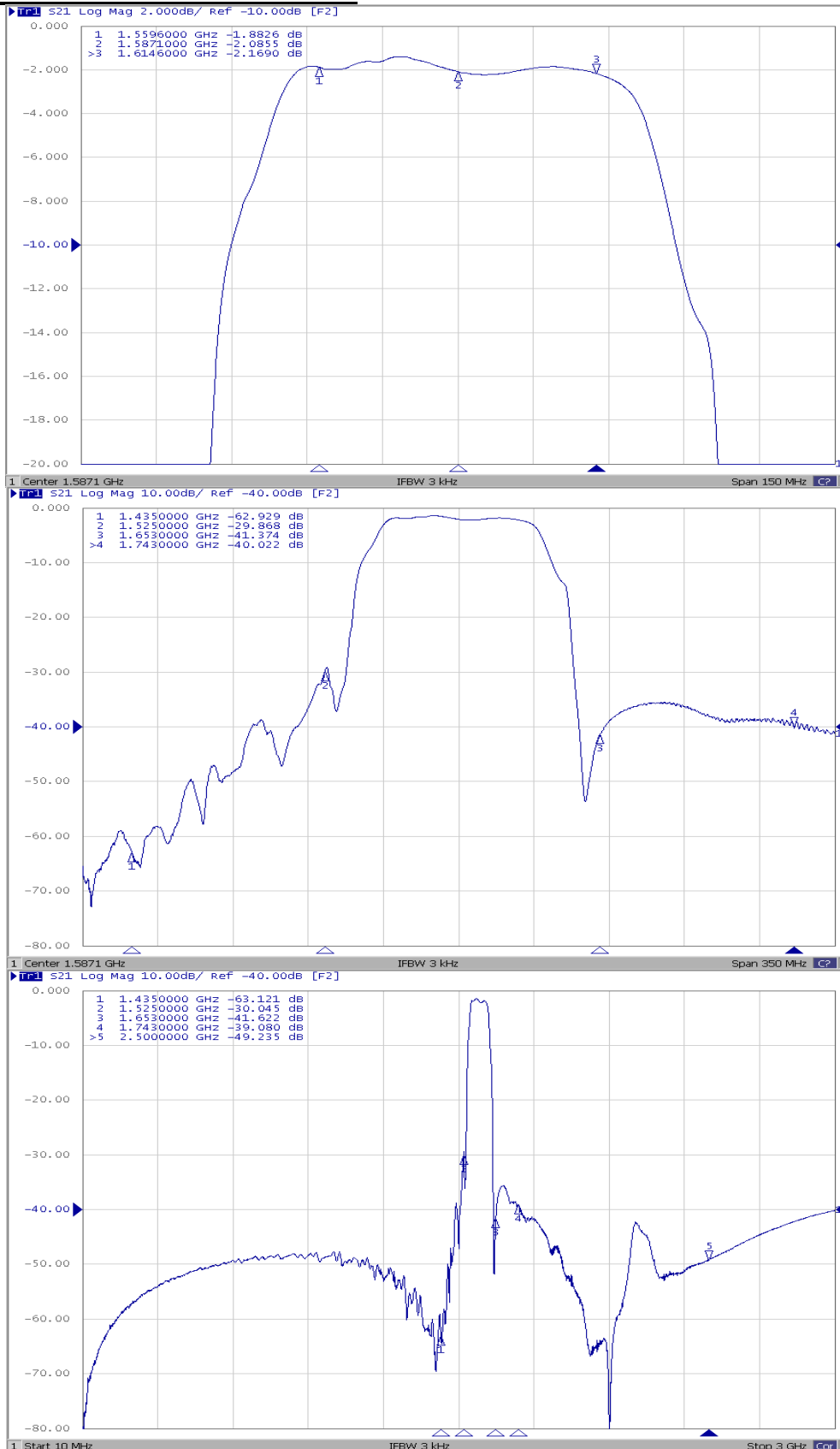


: Land Pattern
 Unit : mm

SAW Filter 1587.10MHz
Part No: MP09854

Model: TA2551A
Rev No: 1

F. FREQUENCY CHARACTERISTICS:

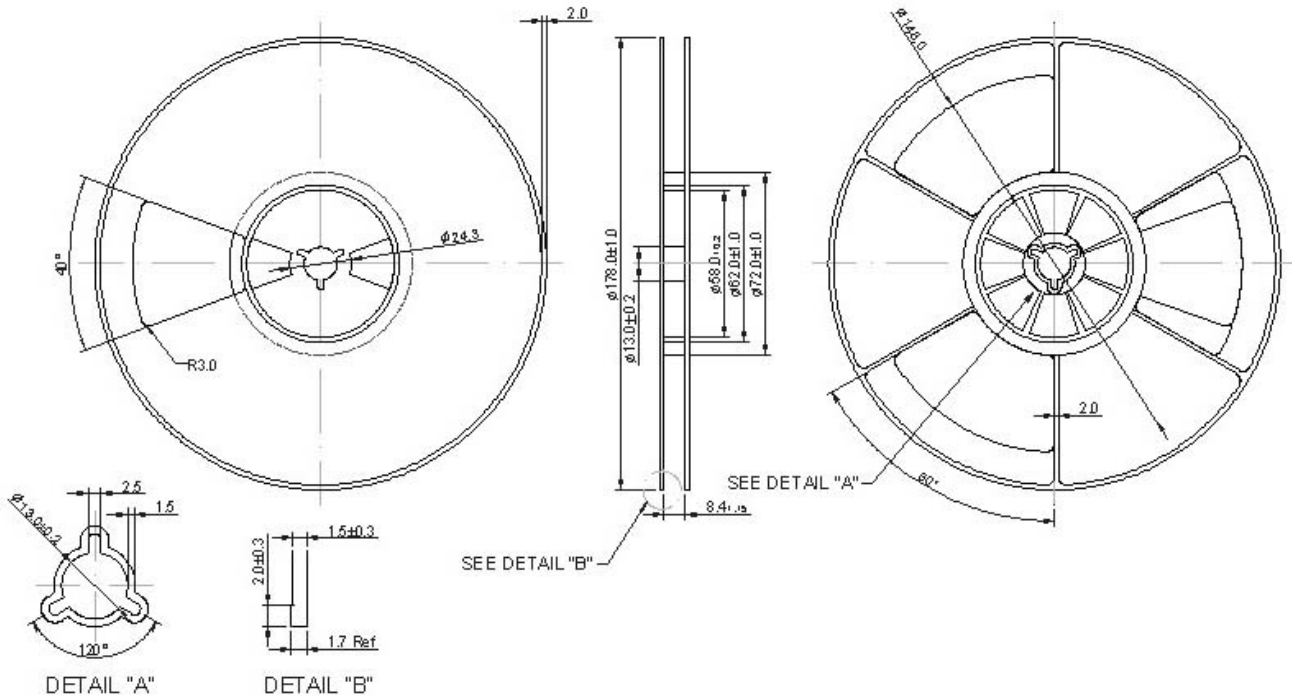


SAW Filter 1587.10MHz
Part No: MP09854

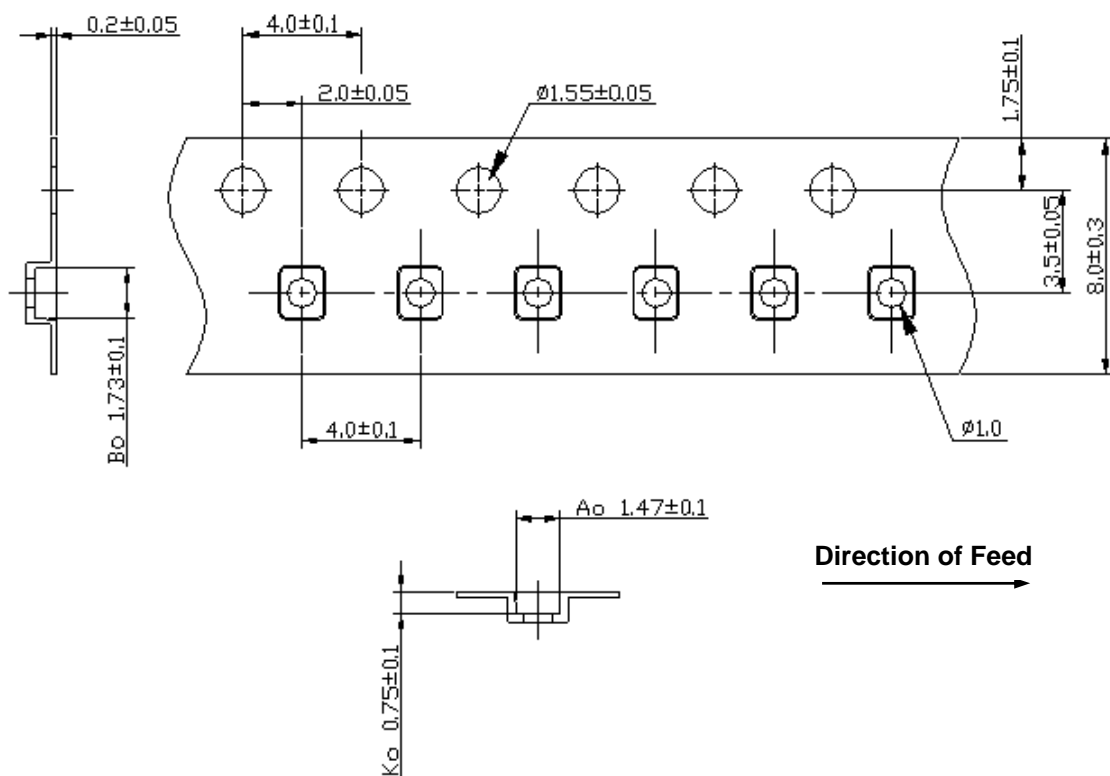
Model: TA2551A
Rev No: 1

G. PACKING:

1. Reel Dimension



2. Tape Dimension



SAW Filter 1587.10MHz
Part No: MP09854

Model: TA2551A
Rev No: 1

H. RECOMMENDED REFLOW PROFILE:

1. Preheating shall be fixed at 150 ~ 180°C for 60 ~ 90 seconds.
2. Ascending time to preheating temperature 150°C shall be 30 seconds min.
3. Heating shall be fixed at 220°C for 50 ~ 80 seconds and at 260°C +0/-5°C peak (20 ~ 40 sec).
4. Time: 2 times.

