

**SAW Filter: 1880.0MHz**  
**Part No: MP10497**

**Model: TA2628A**  
**Rev No: 1**

**A. MAXIMUM RATING:**

Electrostatic Sensitive Device (ESD)

1. Input Power Level: 10dBm
2. DC Voltage: 0V
3. Operating Temperature: -30°C to +85°C
4. Storage Temperature: -40°C to +85°C
5. Moisture Sensitivity Level: Level 3 (MSL3)

**B. ELECTRICAL CHARACTERISTICS:**

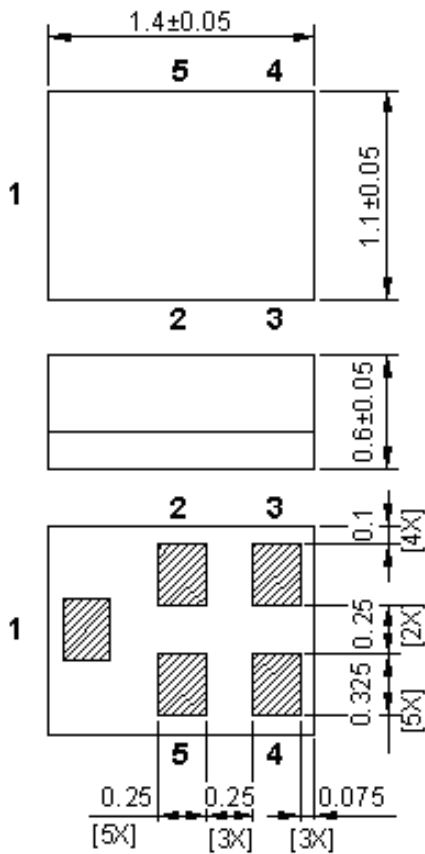
1. Terminating source impedance (single):  $Z_S = 50\Omega$
2. Terminating load impedance (single):  $Z_L = 50\Omega$

Item	Unit	Min	Typ.	Max	Note
Center Frequency Fc	MHz	-	1880	-	
Insertion Loss (1850.6 ~ 1909.4 MHz) IL	dB		2.4	3.8	
Amplitude ripple (1850.6 ~ 1909.4MHz)			1.3	2.7	
VSWR (1850.6 ~ 1909.4MHz)			2.0	2.5	
Attenuation					
DC ~ 1570MHz	dB	20	25		
1570 ~ 1580MHz	dB	24	28		
1580 ~ 1770MHz	dB	24	28		
1770 ~ 1829.4MHz	dB	10	23		
1930.6 ~ 1989.4MHz	dB	27	35		23~27°C
1989.4 ~ 3000MHz	dB	23	28		
3000 ~ 4000MHz	dB	14	21		
4000 ~ 6000MHz	dB	4	9		
Package size	mm	1411			

**SAW Filter: 1880.0MHz**  
**Part No: MP10497**

**Model: TA2628A**  
**Rev No: 1**

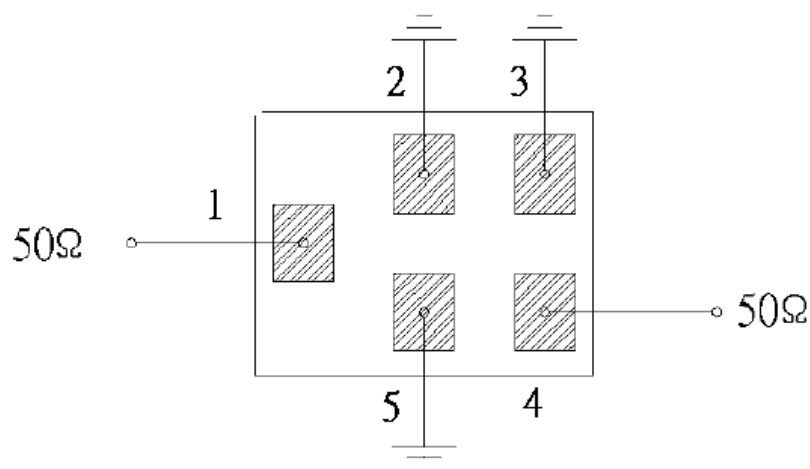
**C. OUTLINE DRAWING:**



All tolerances are  $\pm 0.05$  mm unless otherwise specified  
 Coplanarity : 0.1 mm max.  
 1 to 5 : Pin No.  
 Unit : mm

Pin No.	Symbol	Function
1	IN	Input
2	GND	Ground
3	GND	Ground
4	OUT	Output
5	GND	Ground

**D. MEASUREMENT CIRCUIT:**

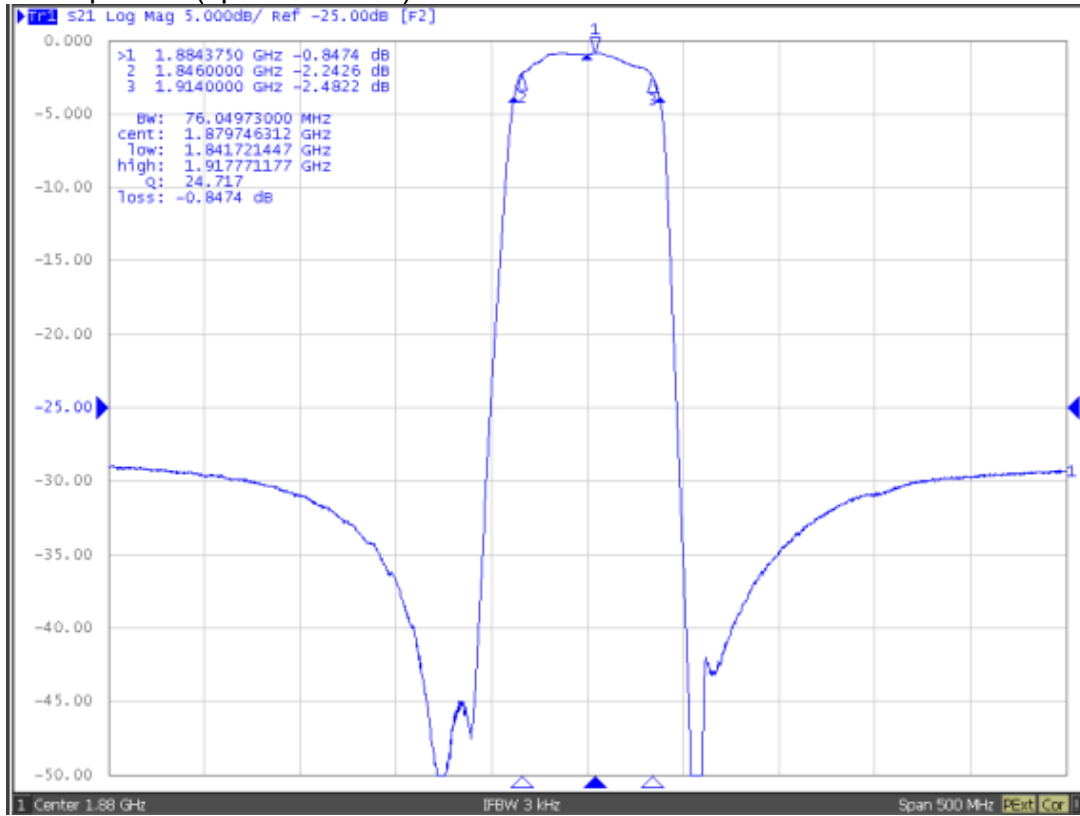


**SAW Filter: 1880.0MHz**  
**Part No: MP10497**

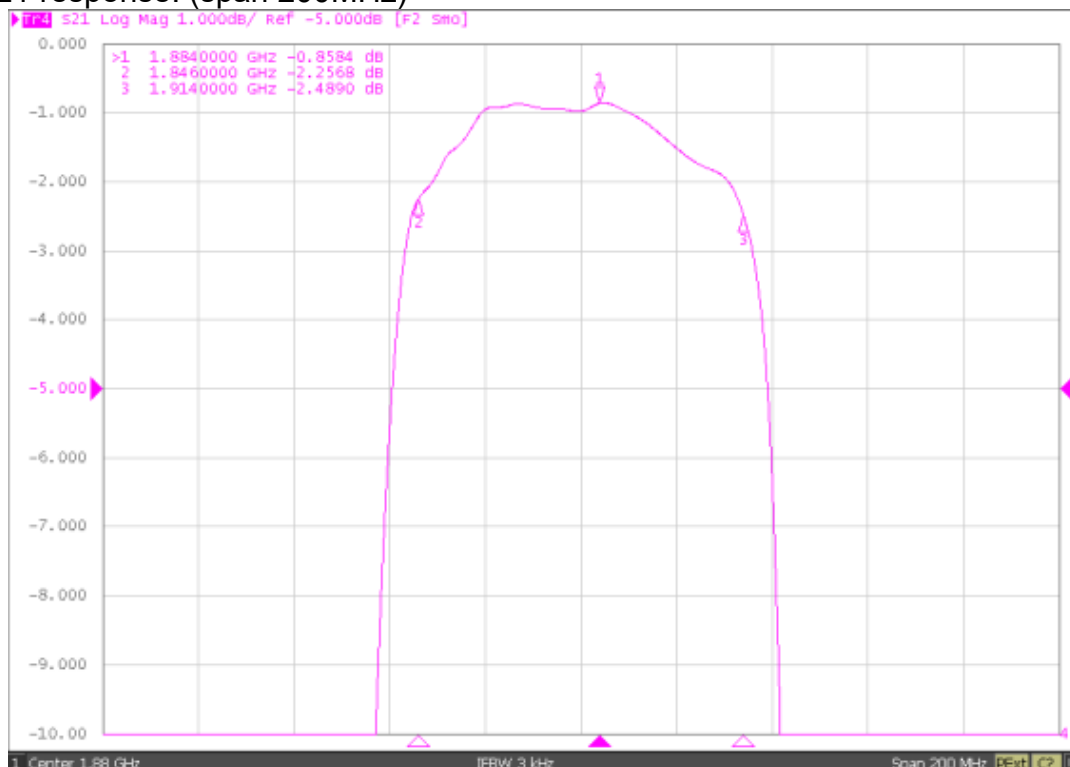
**Model: TA2628A**  
**Rev No: 1**

**E. FREQUENCY CHARACTERISTICS:**

1. S21 response: (span 500MHz)



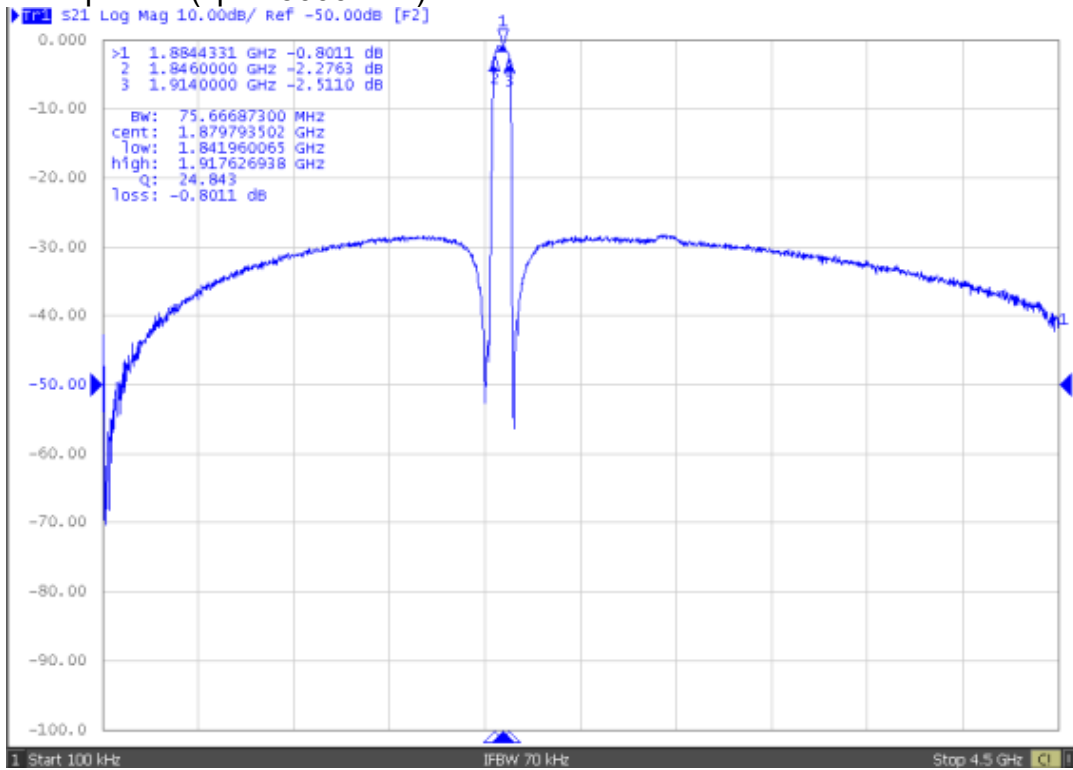
2. S21 response: (span 200MHz)



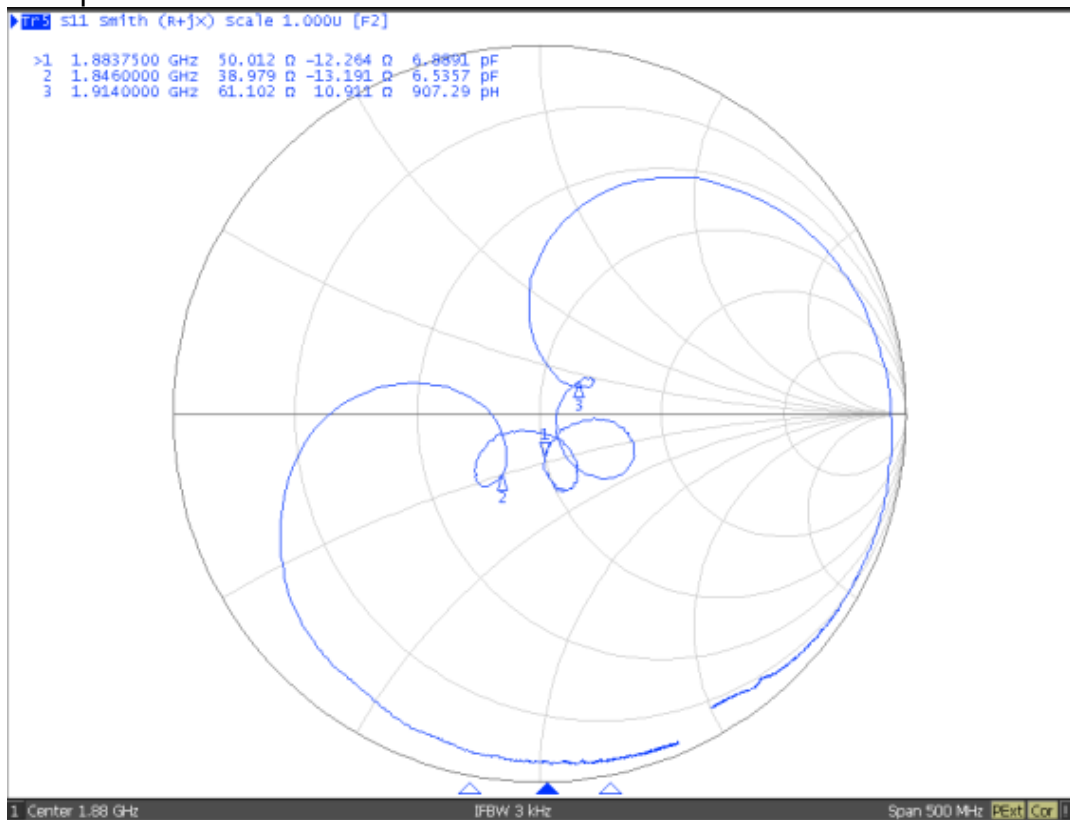
**SAW Filter: 1880.0MHz**  
**Part No: MP10497**

**Model: TA2628A**  
**Rev No: 1**

3. S21 response: (span 3000MHz)



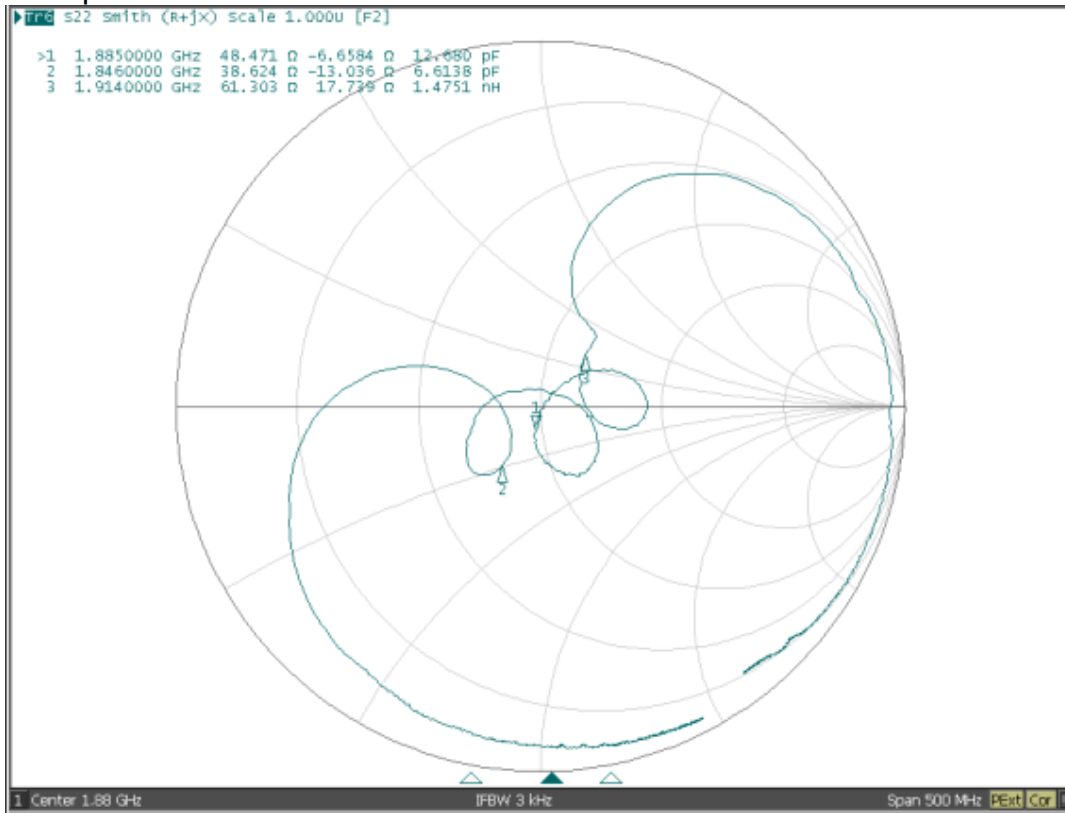
4. S11 response:



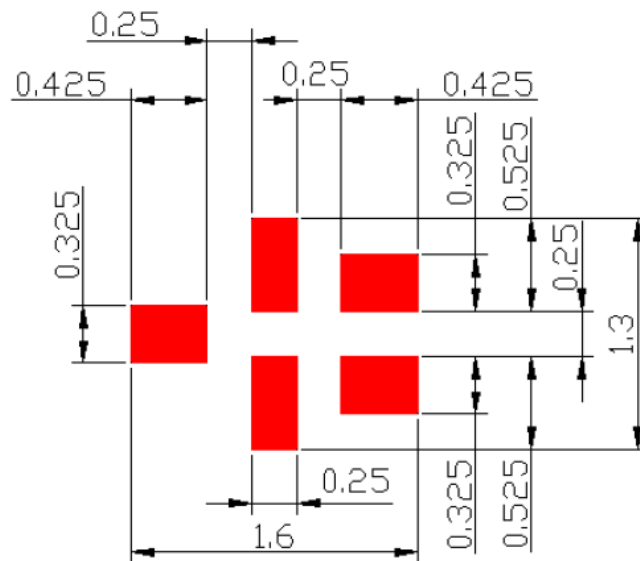
**SAW Filter: 1880.0MHz**  
**Part No: MP10497**

**Model: TA2628A**  
**Rev No: 1**

5. S22 response



**F. PCB FOOTPRINT:**



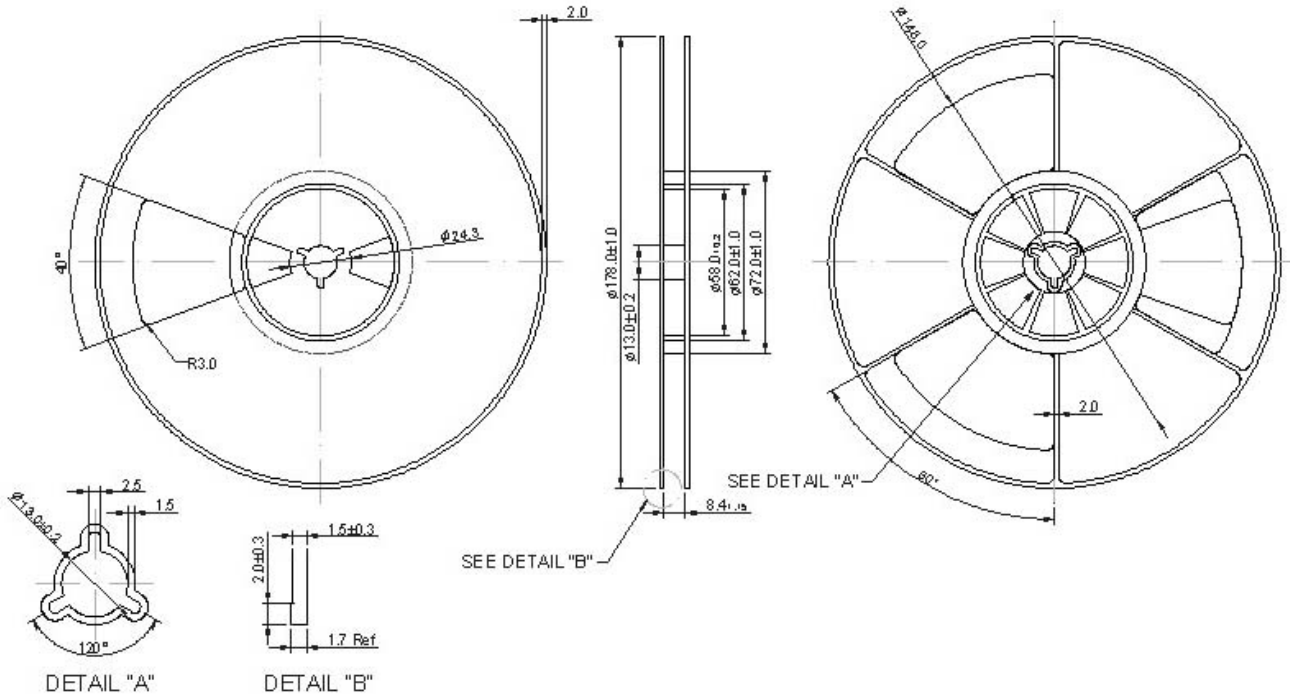
: Land Pattern

**SAW Filter: 1880.0MHz**  
**Part No: MP10497**

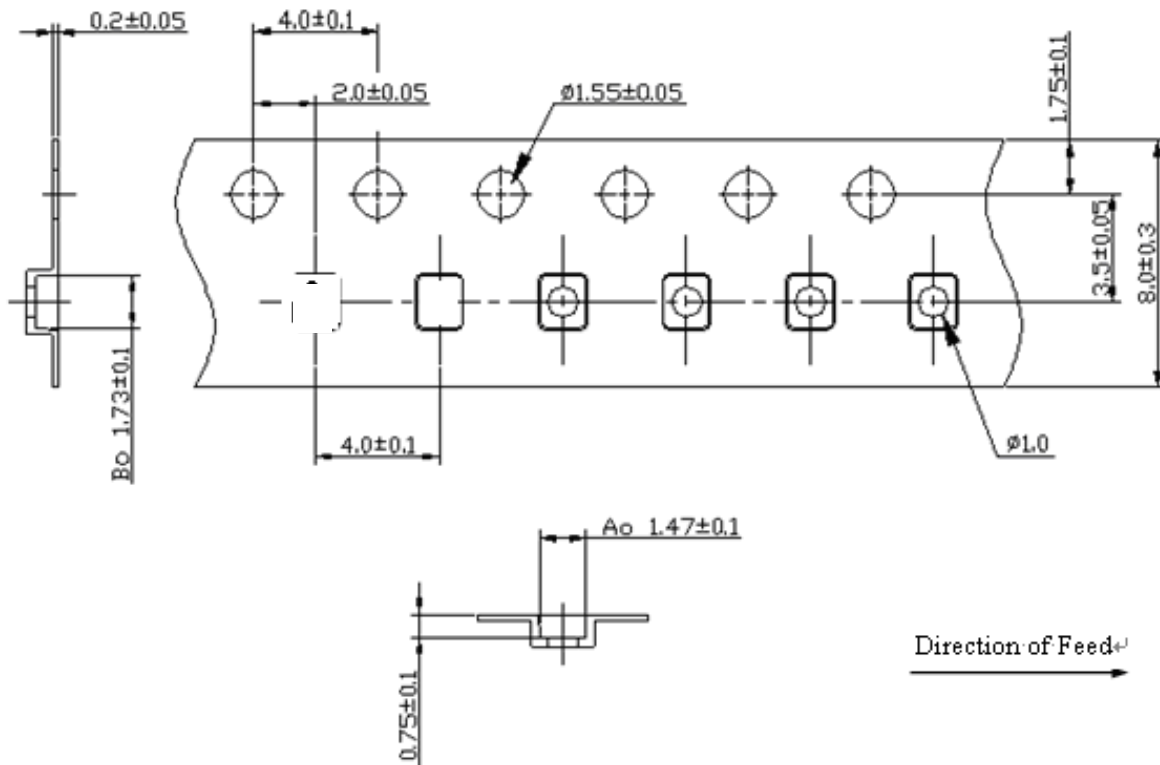
**Model: TA2628A**  
**Rev No: 1**

**G. PACKING:**

1. Reel Dimensions



2. Tape Dimensions



**SAW Filter: 1880.0MHz**  
**Part No: MP10497**

**Model: TA2628A**  
**Rev No: 1**

**H. RECOMMENDED REFLOW PROFILE:**

1. Preheating shall be fixed at 150 ~ 180°C for 60 ~ 90 seconds.
2. Ascending time to preheating temperature 150°C shall be 30 seconds min.
3. Heating shall be fixed at 220°C for 50 ~ 80 seconds and at 260°C +0/-5°C peak (20~40sec).
4. Time: 2 times.

