

SAW Filter 2605.0MHz

Model: TA2280A

Part No: MP10165

Rev No: 1

A. MAXIMUM RATING:

Electrostatic Sensitive Device (ESD)

1. Maximum Input Power: 28.5dBm, 5000h 55°C
2. Maximum DC Voltage: 3V
3. Operating temperature range: -20°C to +85°C
4. Storage temperature range: -40°C to +85°C

B. ELECTRICAL CHARACTERISTICS:

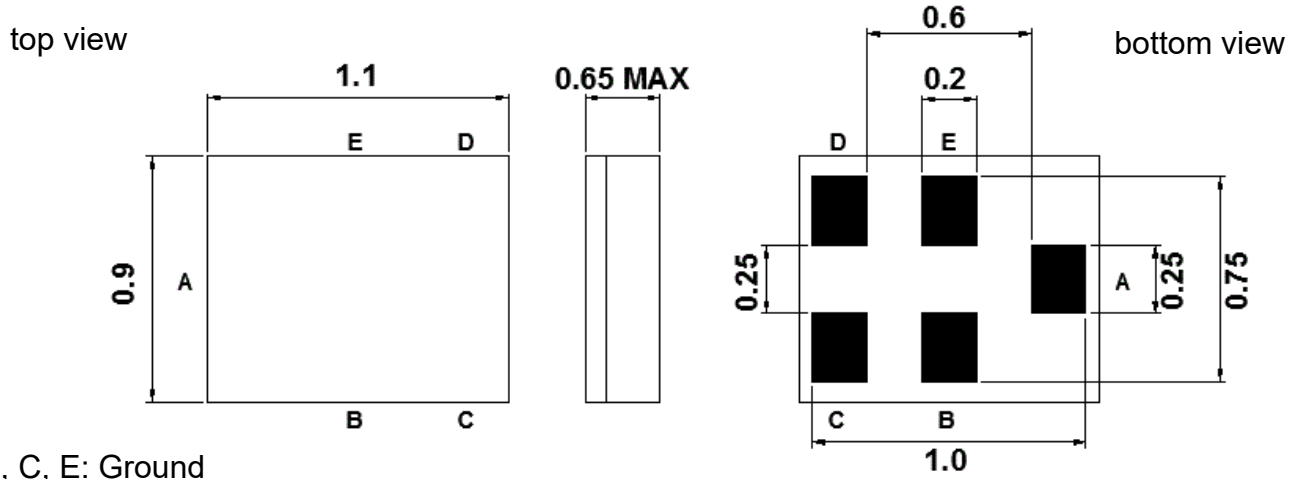
1. Terminating source impedance: $Z_S = 50 \parallel 3.6nH \Omega$ (Single-ended)
2. Terminating load impedance: $Z_L = 50 \parallel 3.6nH \Omega$ (Single-ended)

Item	Unit	Min.	Typ.	Max.
Center Frequency Fc	MHz	-	2605	-
Insertion Loss (2555 ~ 2575 MHz) IL	dB	-	2.8	4.0
Insertion Loss (2575 ~ 2635 MHz) IL	dB	-	2.0	2.5
Insertion Loss (2635 ~ 2655 MHz) IL	dB	-	2.0	2.5
Amplitude Ripple (2555 ~ 2655MHz)	dB p-p	-	1.5	2.8
VSWR (2555 ~ 2655MHz)	-	-	2.1	2.4
Attenuation (reference level from 0dB)				
10 ~ 960MHz	dB	40	48	-
1225 ~ 1559MHz	dB	30	36	-
1559 ~ 1606MHz	dB	30	35	-
1606 ~ 1710MHz	dB	30	34	-
1710 ~ 2170MHz	dB	27	31	-
2170 ~ 2400MHz	dB	27	31	-
2401 ~ 2438MHz	dB	32	35	-
2421 ~ 2483MHz	dB	34	37	-
2750 ~ 4900MHz	dB	30	33	-
4900 ~ 6000MHz	dB	30	35	-
6000 ~ 8000MHz	dB	20	29	-

SAW Filter 2605.0MHz
Part No: MP10165

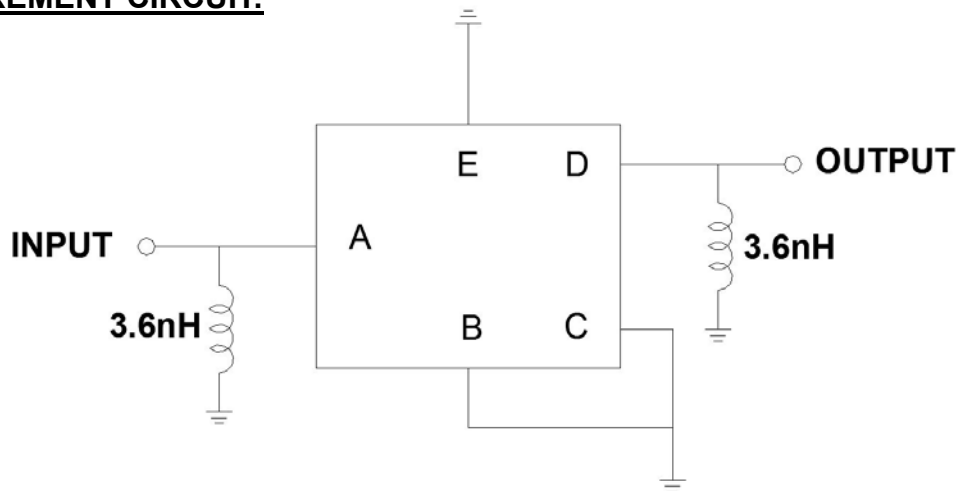
Model: TA2280A
Rev No: 1

C. OUTLINE DRAWING:



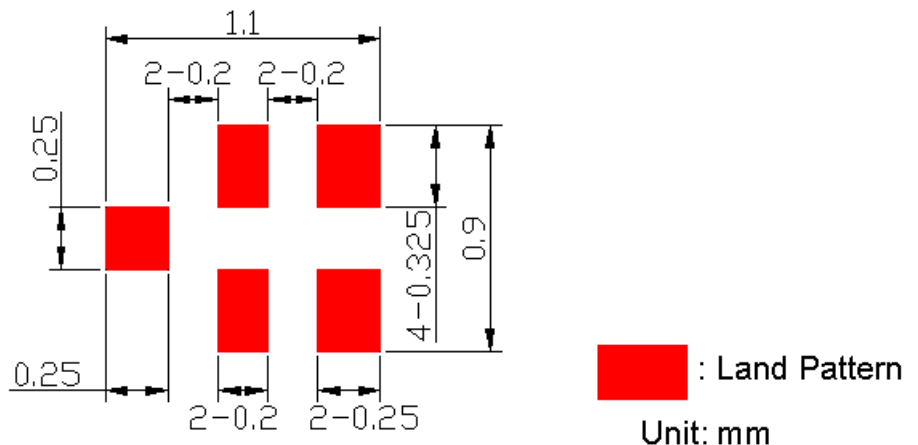
B, C, E: Ground
 A: Input
 D: Output

D. MEASUREMENT CIRCUIT:



Source & Load Impedance: 50 Ω

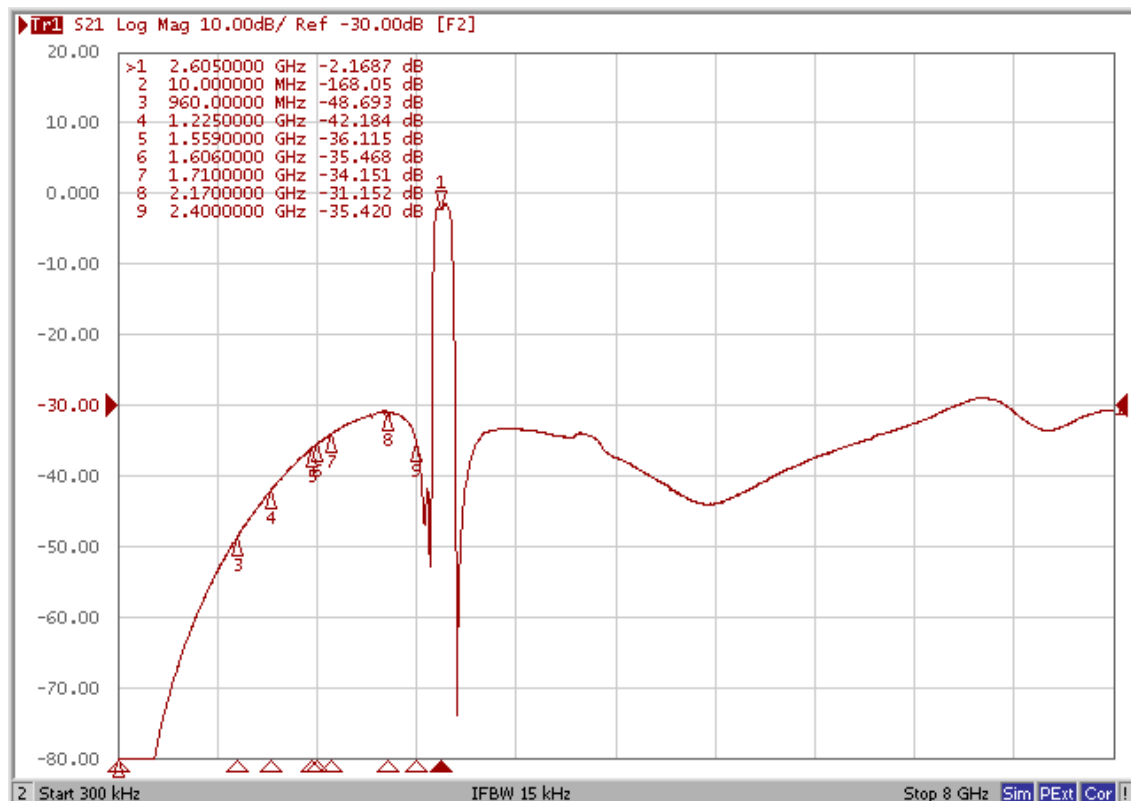
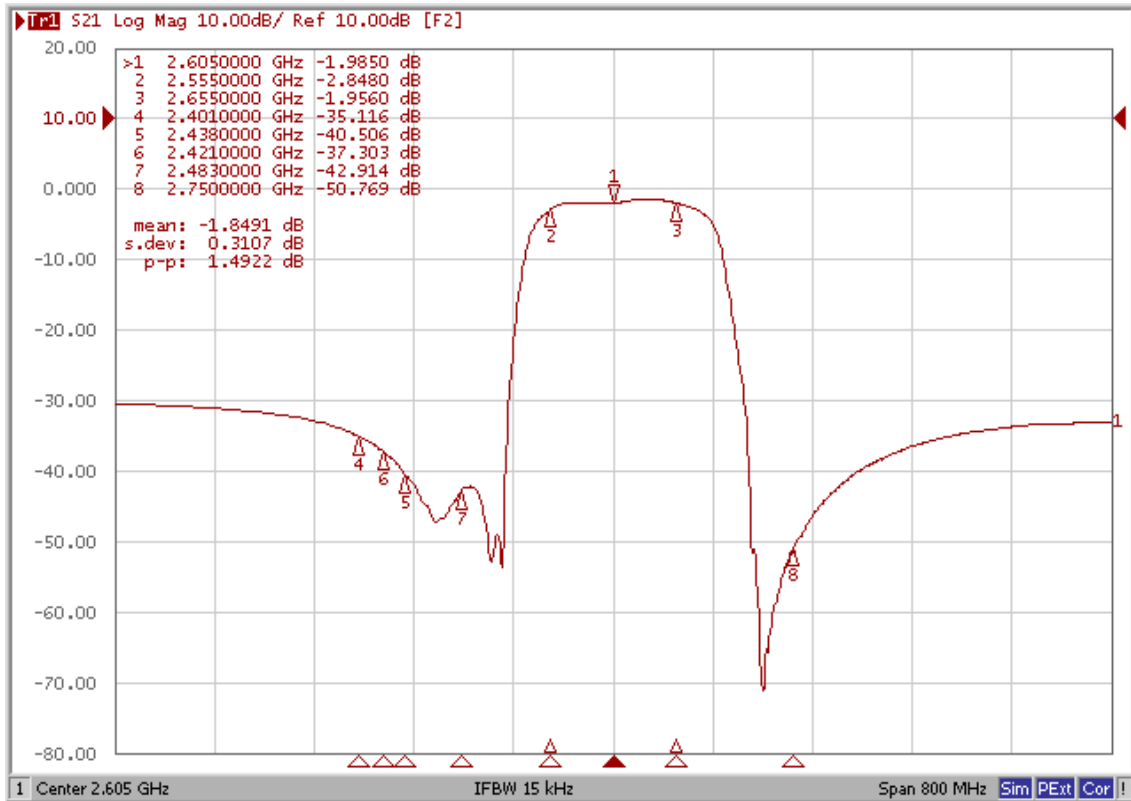
E. PCB FOOTPRINT:



SAW Filter 2605.0MHz
Part No: MP10165

Model: TA2280A
Rev No: 1

F. FREQUENCY CHARACTERISTICS:

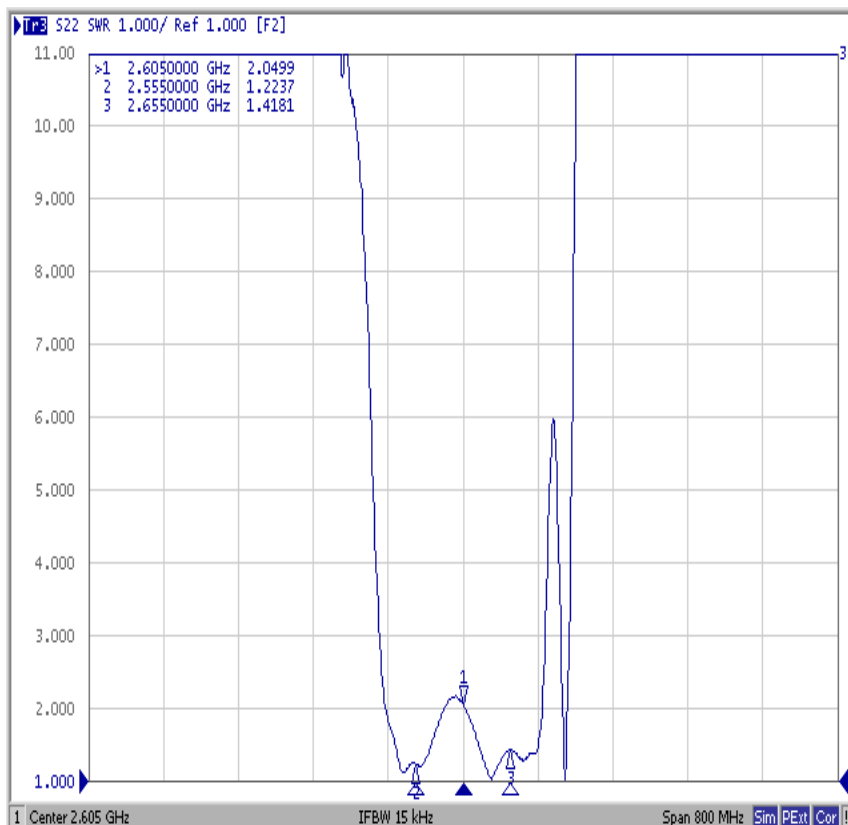
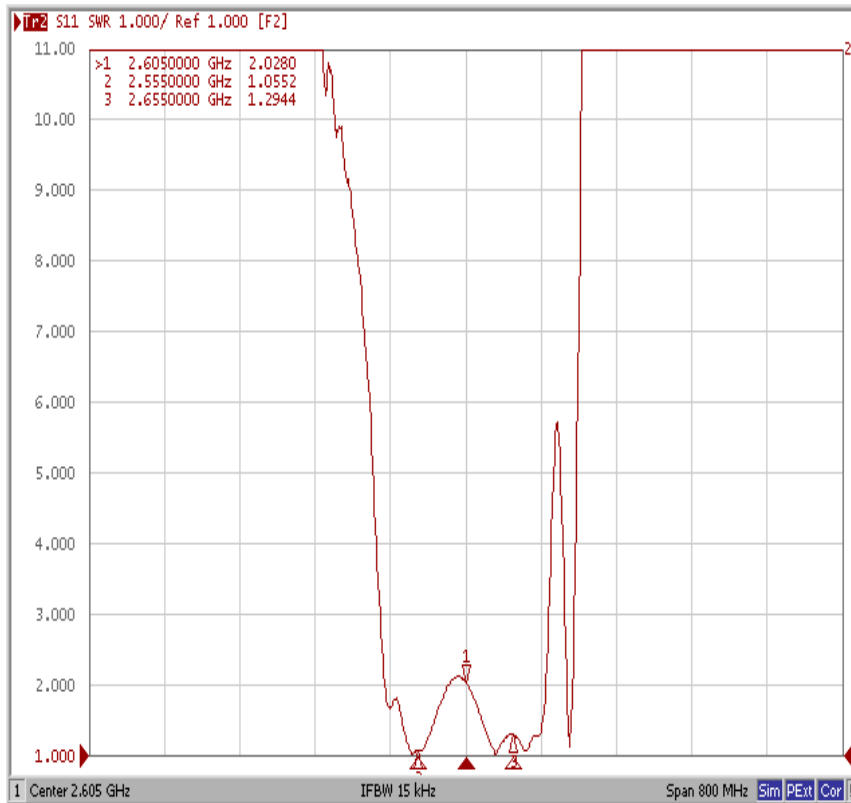


SAW Filter 2605.0MHz
Part No: MP10165

Model: TA2280A
Rev No: 1

1. Reflection Functions

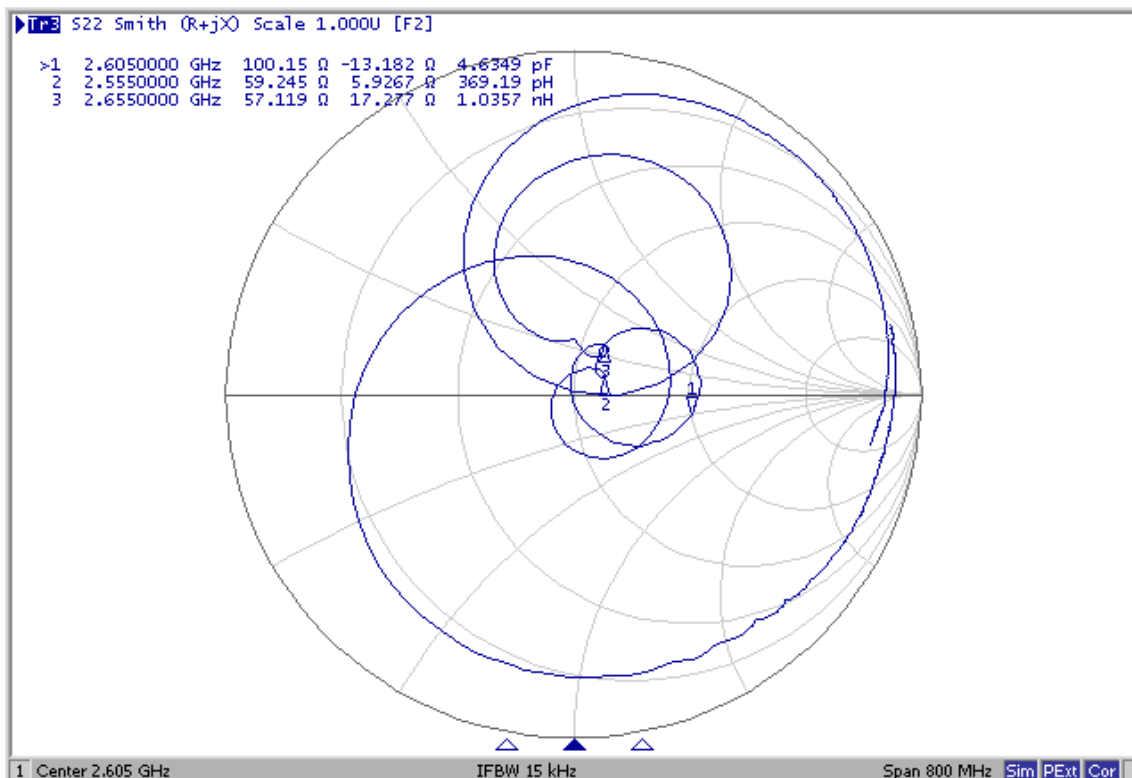
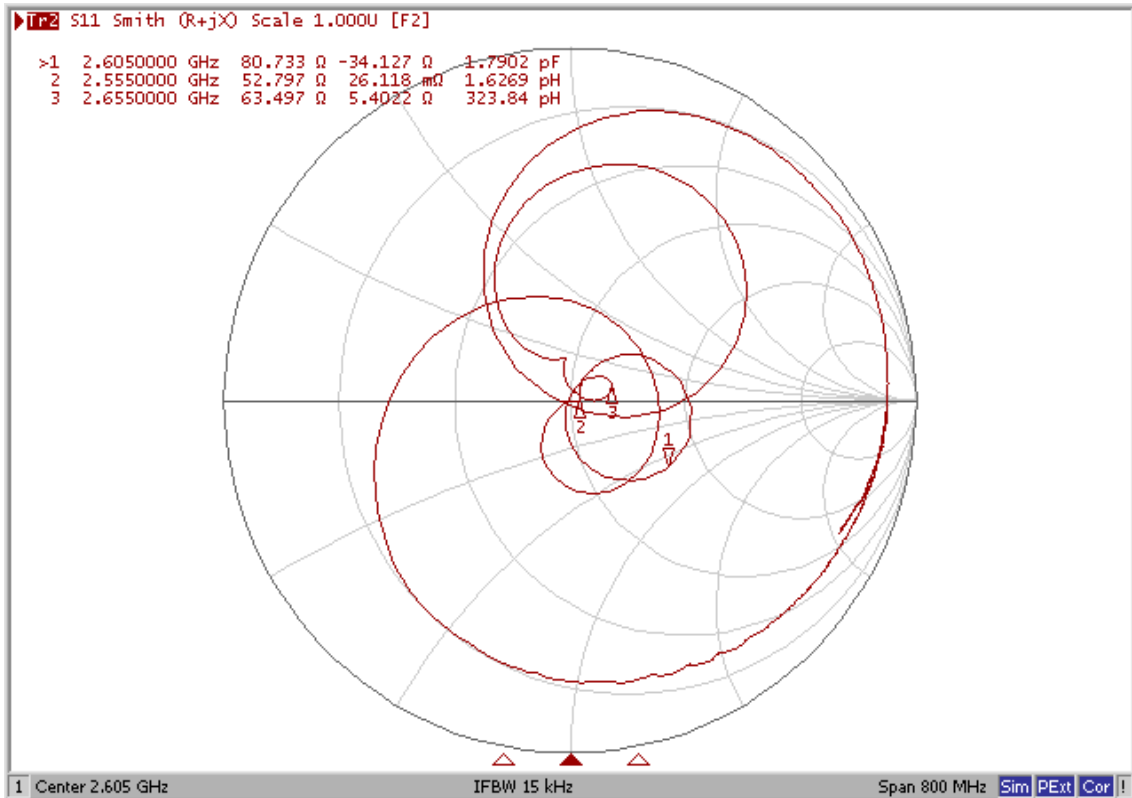
VSWR



SAW Filter 2605.0MHz
Part No: MP10165

Model: TA2280A
Rev No: 1

2. Smith Chart

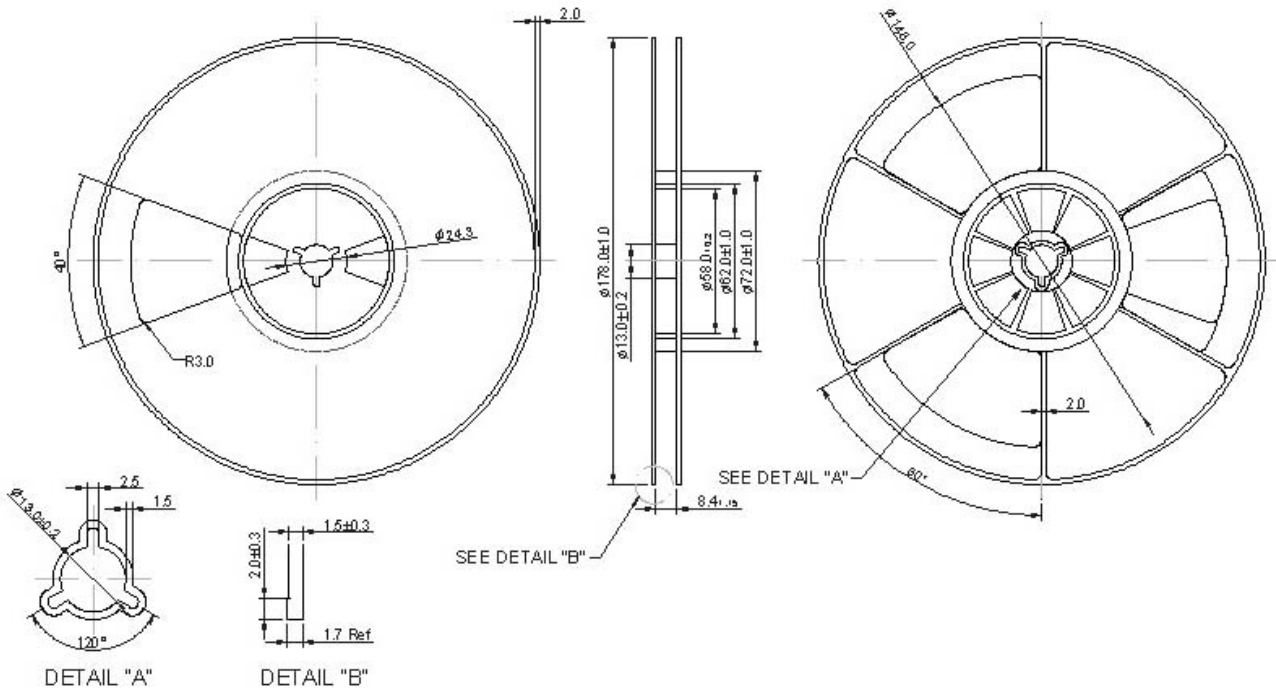


SAW Filter 2605.0MHz
Part No: MP10165

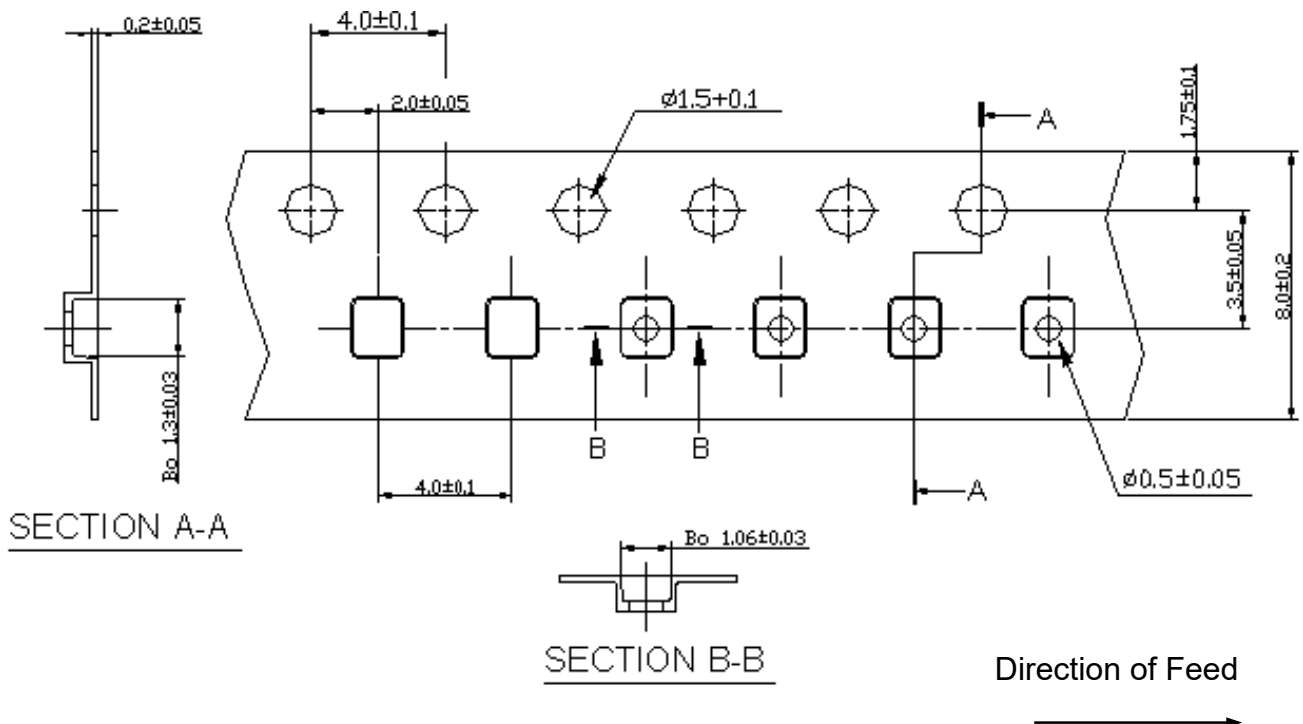
Model: TA2280A
Rev No: 1

G. PACKING:

1. Reel Dimensions



2. Tape Dimensions



SAW Filter 2605.0MHz
Part No: MP10165

Model: TA2280A
Rev No: 1

H. RECOMMENDED REFLOW PROFILE:

1. Preheating shall be fixed at 150 ~ 180°C for 60 ~ 90 seconds.
2. Ascending time to preheating temperature 150°C shall be 30 seconds min.
3. Heating shall be fixed at 220°C for 50 ~ 80 seconds and at 245 ~ 260°C peak (min. 10 sec).
4. Time: 2 times.

