

**SAW Filter: 146.0MHz**  
**Part No: MP10324**

**Model: TA2675A**  
**Rev No: 1**

**A. MAXIMUM RATING:**

Electrostatic Sensitive Device (ESD)

1. Input Power Level: 10dBm
2. DC Voltage: 3V
3. Operating Temperature: -40°C to +85°C
4. Storage Temperature: -40°C to +85°C
5. Moisture Sensitivity Level: Level 1 (MSL1)

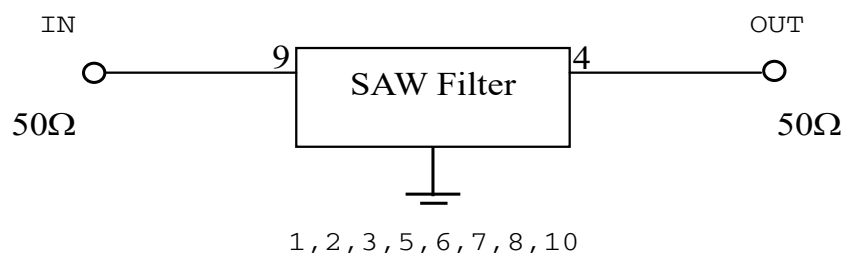
**B. ELECTRICAL CHARACTERISTICS: (Operating temperature: 25°C)**

1. Terminating source impedance (single ended):  $Z_S = 50\Omega$
2. Terminating load impedance (single ended):  $Z_L = 50\Omega$

Item	Unit	Min.	Typ.	Max.	Note
Center frequency $F_c$	MHz	-	146	-	-
Insertion Loss (144 ~ 148MHz) IL	dB	-	2.6	3.5	-
Passband Ripple (144 ~ 148MHz)	dB	-	1.4	2.3	-
Attenuation (reference level from 0dB)					
FC -50 ~ FC -30MHz	dB	42	50	-	-
FC -30 ~ FC -15MHz	dB	36	44	-	-
FC +30 ~ FC +50MHz	dB	40	42	-	-
Temperature Coefficient of Frequency	ppm/°C	-36			

**C. MEASUREMENT CIRCUIT:**

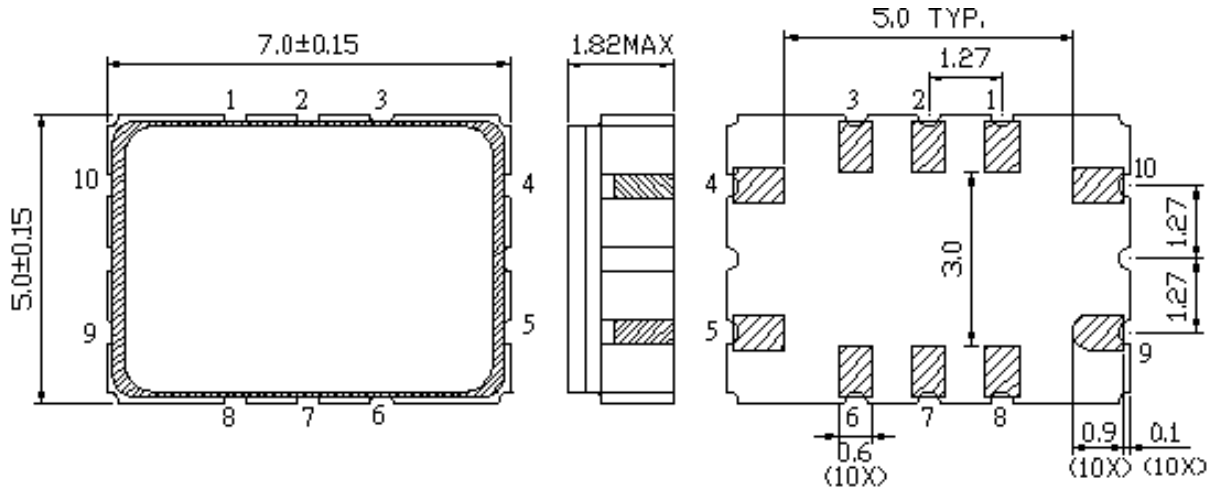
HP Network analyzer



**SAW Filter: 146.0MHz**  
**Part No: MP10324**

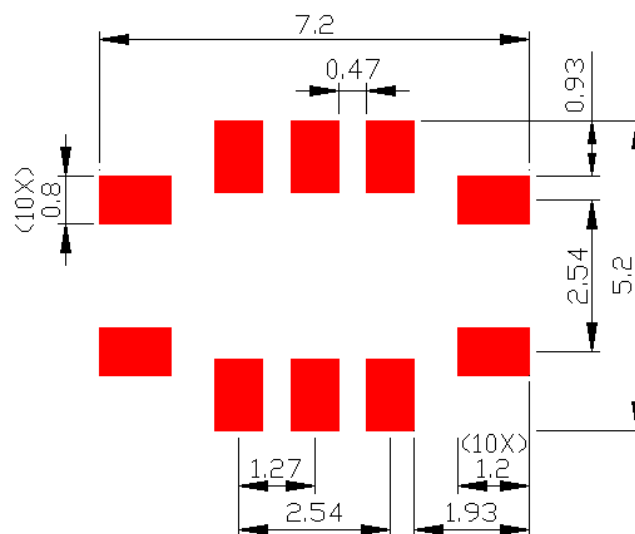
**Model: TA2675A**  
**Rev No: 1**

**D. OUTLINE DRAWING:**



- 9: Input
  - 4: Output
  - 10: Input ground
  - 5: Output ground
  - 1, 2, 3, 6, 7, 8: To be grounded
- Unit: mm

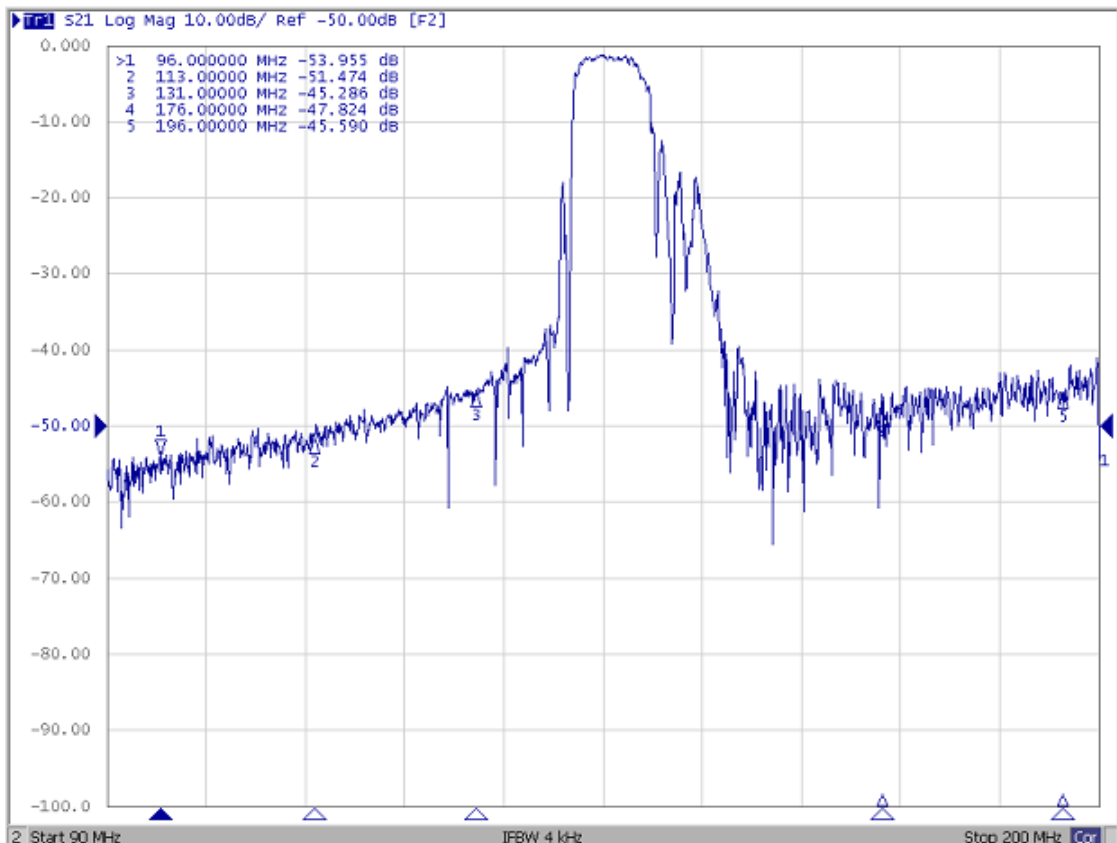
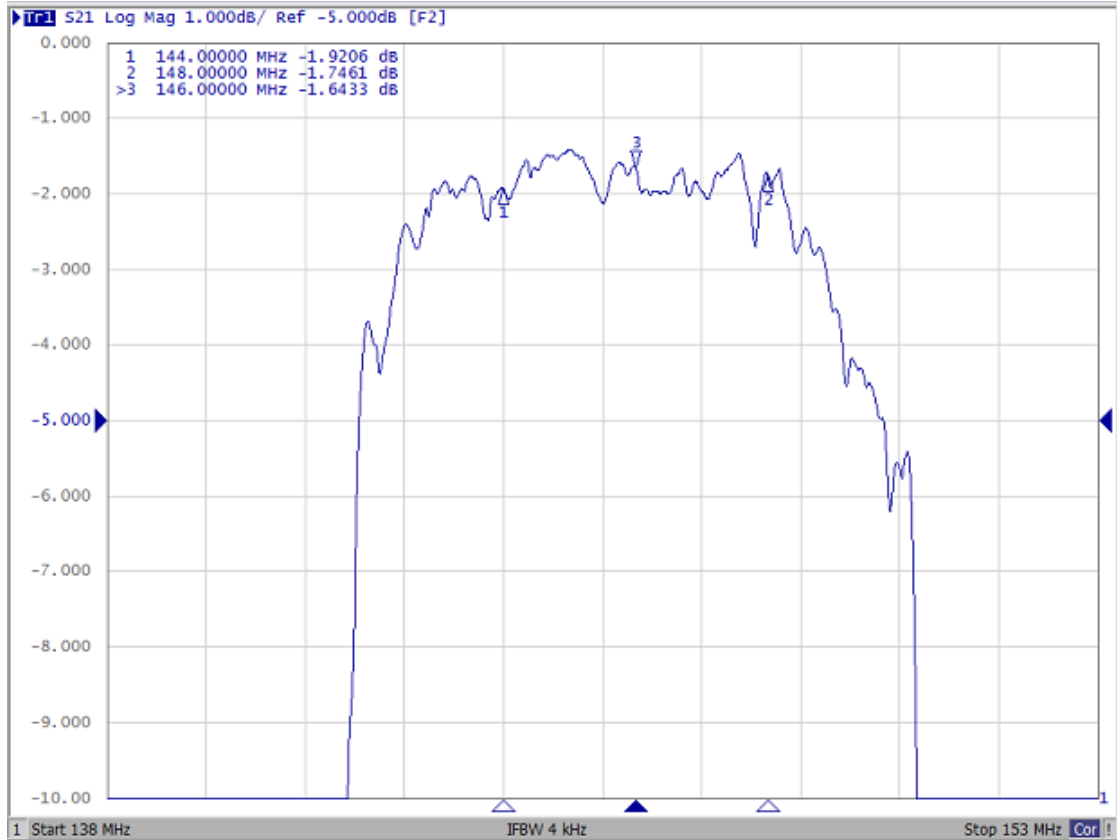
**E. PCB FOOTPRINT:**



**SAW Filter: 146.0MHz**  
**Part No: MP10324**

**Model: TA2675A**  
**Rev No: 1**

**F. FREQUENCY CHARACTERISTICS:**

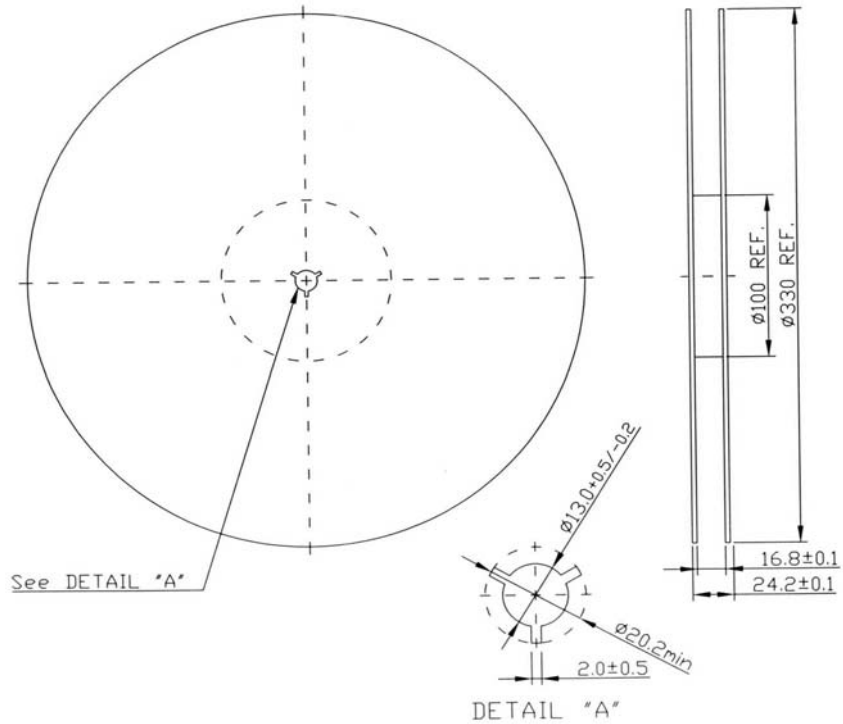


**SAW Filter: 146.0MHz**  
**Part No: MP10324**

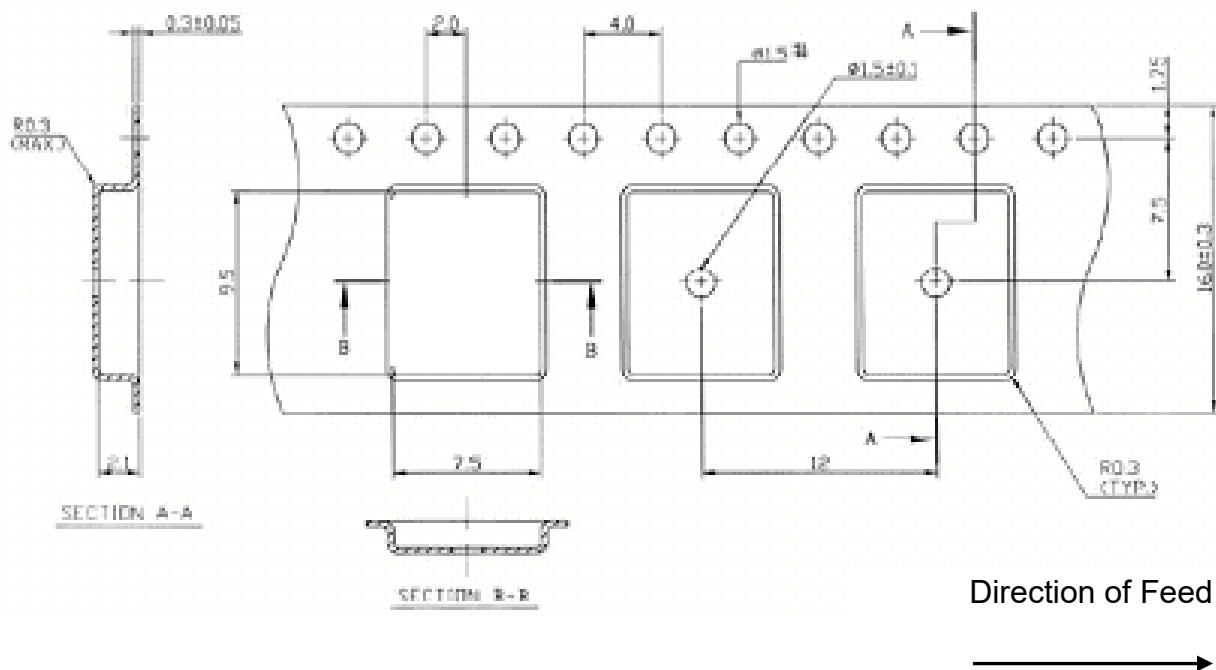
**Model: TA2675A**  
**Rev No: 1**

**G. PACKING:**

1. Reel Dimensions



2. Tape Dimensions



**SAW Filter: 146.0MHz**  
**Part No: MP10324**

**Model: TA2675A**  
**Rev No: 1**

**H. RECOMMENDED REFLOW PROFILE:**

1. Preheating shall be fixed at 150 ~ 180°C for 60 ~ 90 seconds.
2. Ascending time to preheating temperature 150°C shall be 30 seconds min.
3. Heating shall be fixed at 220°C for 50 ~ 80 seconds and at 245 ~ 260°C peak (min. 10 sec).
4. Time: 2 times.

