

**SAW Filter 1207.50MHz**  
**Part No: MP11438**

**Model: TA2637A**  
**Rev No: 1**

**A. MAXIMUM RATING:**

Electrostatic Sensitive Device (ESD)

1. Input Power Level: 13dBm (5000h)
2. DC Voltage: 3V
3. Operating Temperature: -40°C to +85°C
4. Storage Temperature: -40°C to +125°C
5. ESD Machine Mode: 50V
6. ESD Human Body Mode: 100V
7. Moisture Sensitive Level (MSL): Level 3

**B. ELECTRICAL CHARACTERISTICS:**

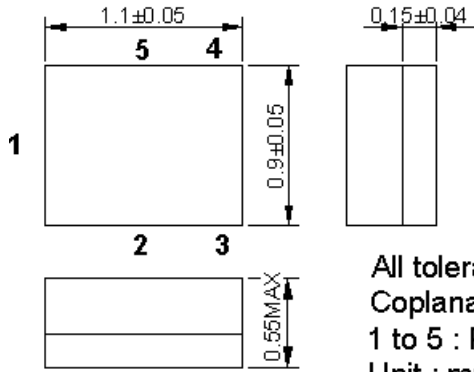
1. Temperature range for specification:  $T_{spec} = -30^{\circ}\text{C}$  to  $+85^{\circ}\text{C}$
2. Terminating source impedance:  $Z_S = 50\Omega$
3. Terminating load impedance:  $Z_L = 50\Omega$

Item	Unit	Min.	Typ.	Max.
Center Frequency $F_c$	MHz	-	1207.5	-
Insertion Loss (1166.22~1205.094MHz) IL	dB	-	2.3	3
Insertion Loss (1205.094~1226.577MHz) IL	dB	-	1.9	3
Insertion Loss (1226.577~1228.623MHz) IL	dB	-	1.9	3
Insertion Loss (1228.623~1249.136MHz) IL	dB	-	2.5	3.5
Amplitude Ripple (1166.22~1205.094MHz)	dB p-p	-	1	1.8
Amplitude Ripple (1205.094~1226.577MHz)	dB p-p	-	0.5	1
Amplitude Ripple (1226.577~1228.623MHz)	dB p-p	-	0.2	1
Amplitude Ripple (1228.623~1249.136MHz)	dB p-p	-	0.6	1.5
VSWR (1166.22~1249.136MHz)		-	1.7	2.1
Group Delay Ripple (1166.22~1205.094MHz)	ns	-	12	30
Group Delay Ripple (1205.094~1226.577MHz)	ns	-	2	8
Group Delay Ripple (1226.577~1228.623MHz)	ns	-	1	10
Group Delay Ripple (1228.623~1249.136MHz)	ns	-	3	20
Attenuation (refer to 0dB)				
698 ~ 748MHz	dB	35	41	-
807 ~ 915MHz	dB	28	32	-
925 ~ 960MHz	dB	27	31	-
1427 ~ 1463MHz	dB	25	28	-
1626.5 ~ 1660.5MHz	dB	28	34	-
1695 ~ 1785MHz	dB	20	35	-
1850 ~ 2025MHz	dB	20	33	-
2300 ~ 2690MHz	dB	27	31	-
3400 ~ 3800MHz	dB	20	28	-
4400 ~ 4900MHz	dB	20	25	-
5150 ~ 5925MHz	dB	20	25	-
Temperature Coefficient	ppm/K	-	-36	-

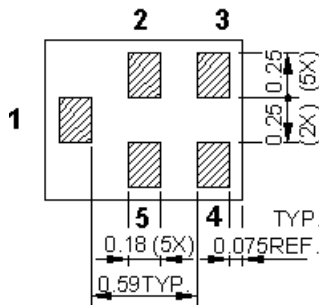
**SAW Filter 1207.50MHz**  
**Part No: MP11438**

**Model: TA2637A**  
**Rev No: 1**

**C. OUTLINE DRAWING:**

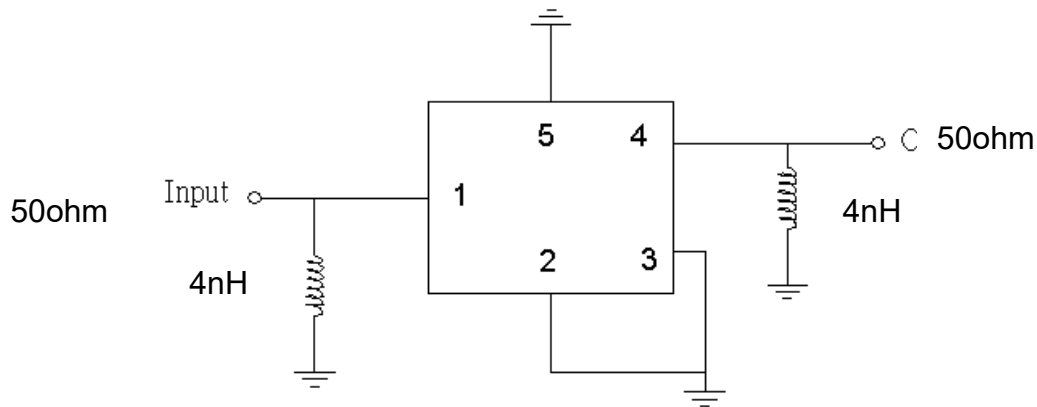


All tolerances are +/-0.05 mm unless otherwise specified  
 Coplanarity : 0.1 mm max.  
 1 to 5 : Pin No.  
 Unit : mm

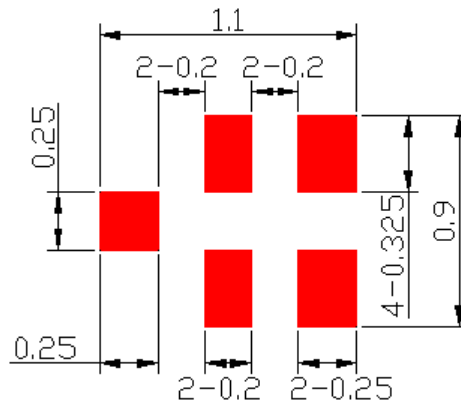


Pin No.	Symbol	Function
1	IN	Input
2	GND	Ground
3	GND	Ground
4	OUT	Output
5	GND	Ground

**D. MEASUREMENT CIRCUIT:**



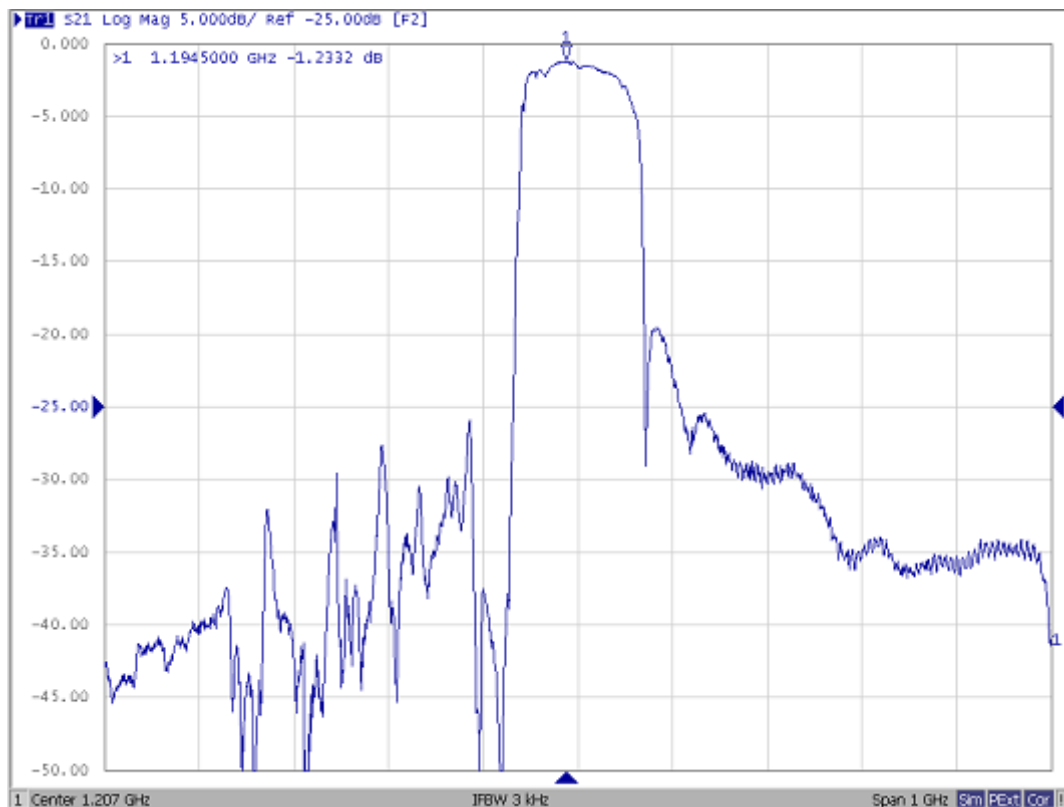
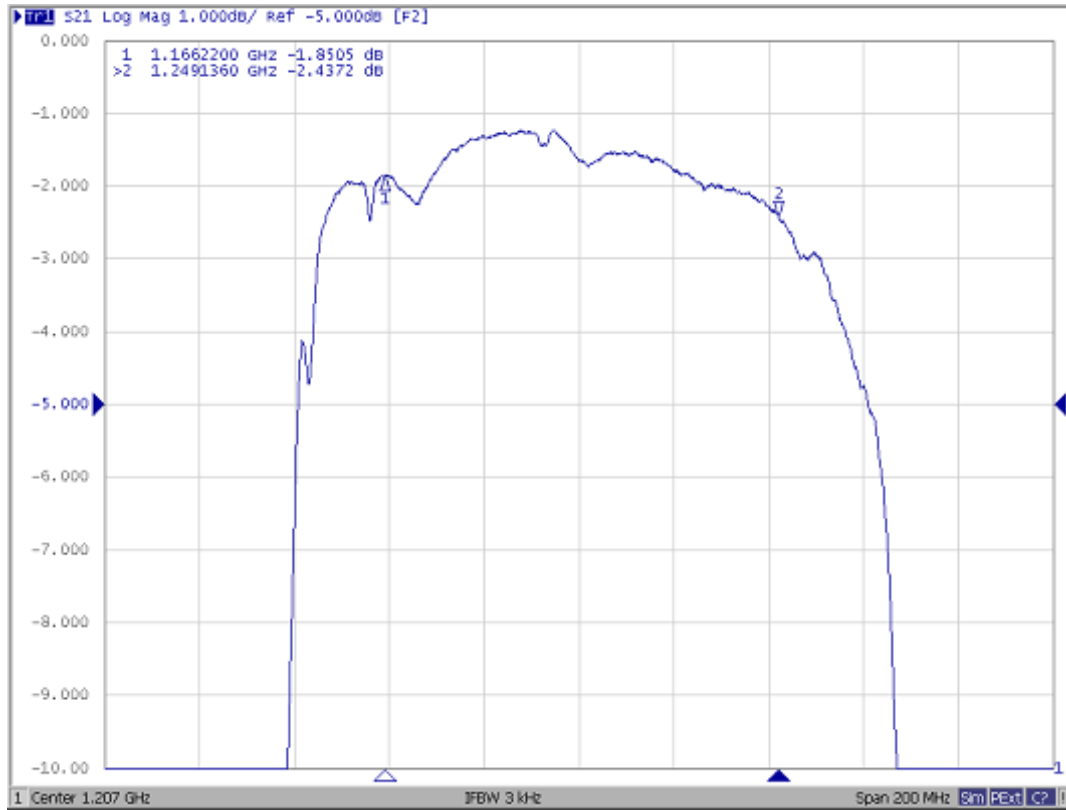
**E. PCB FOOTPRINT:**



**SAW Filter 1207.50MHz**  
**Part No: MP11438**

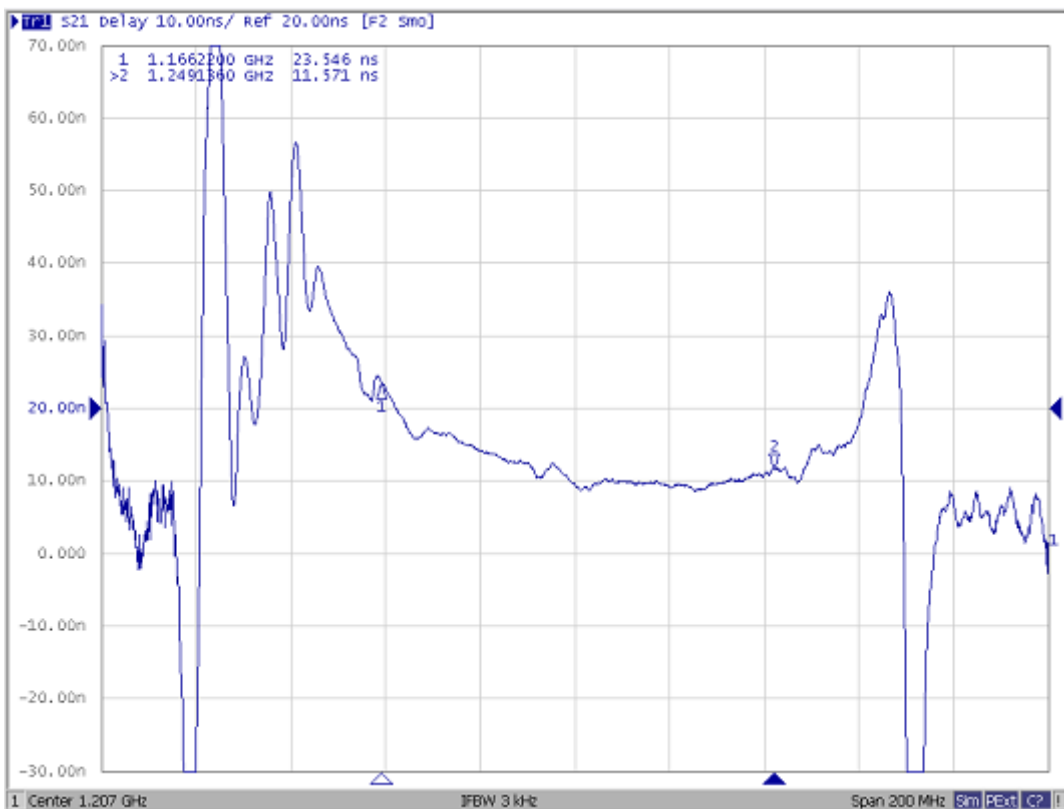
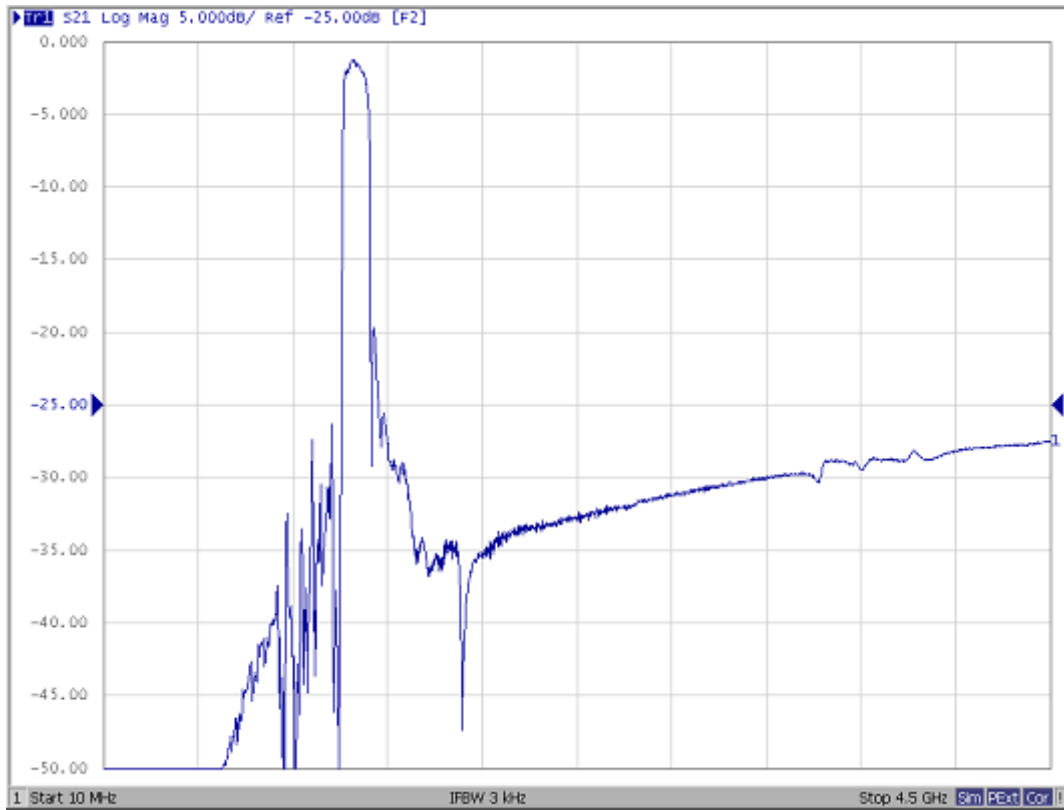
**Model: TA2637A**  
**Rev No: 1**

**F. FREQUENCY CHARACTERISTICS:**



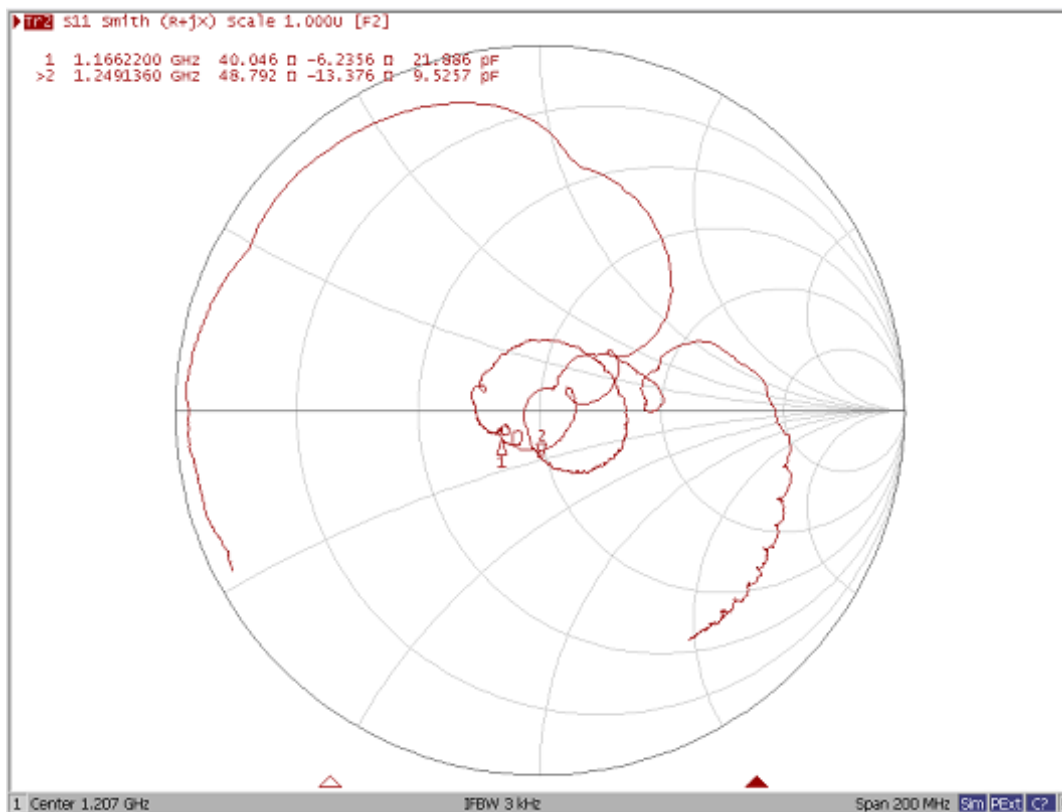
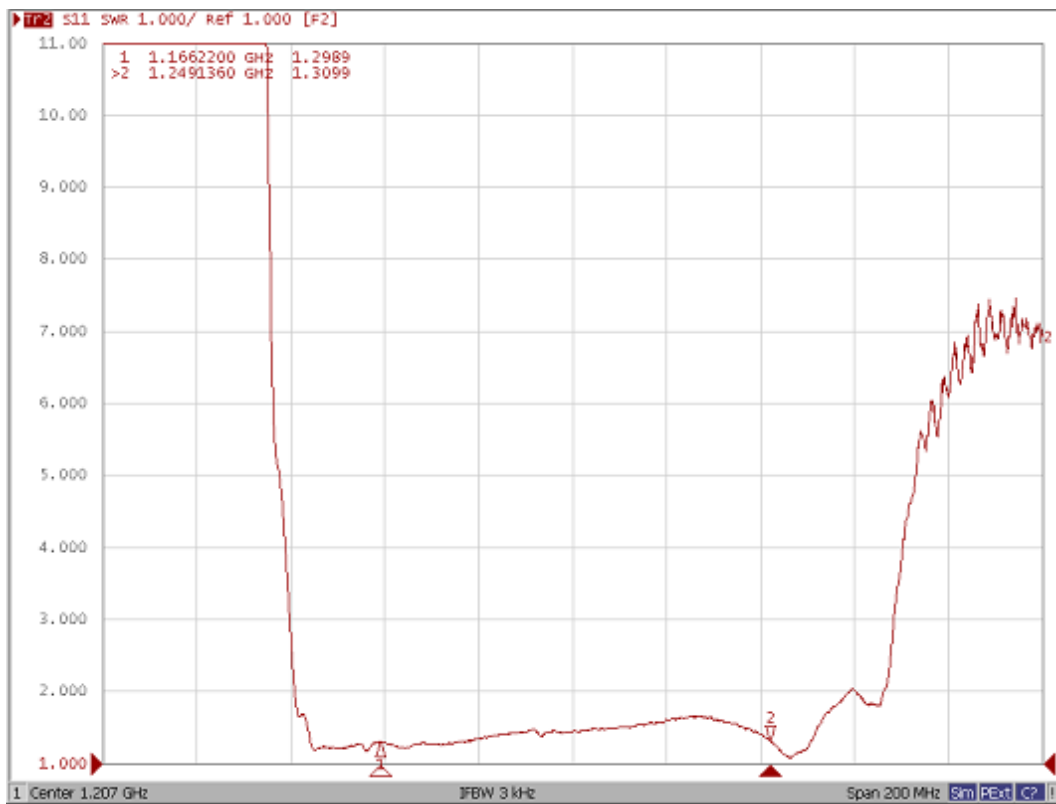
**SAW Filter 1207.50MHz**  
**Part No: MP11438**

**Model: TA2637A**  
**Rev No: 1**



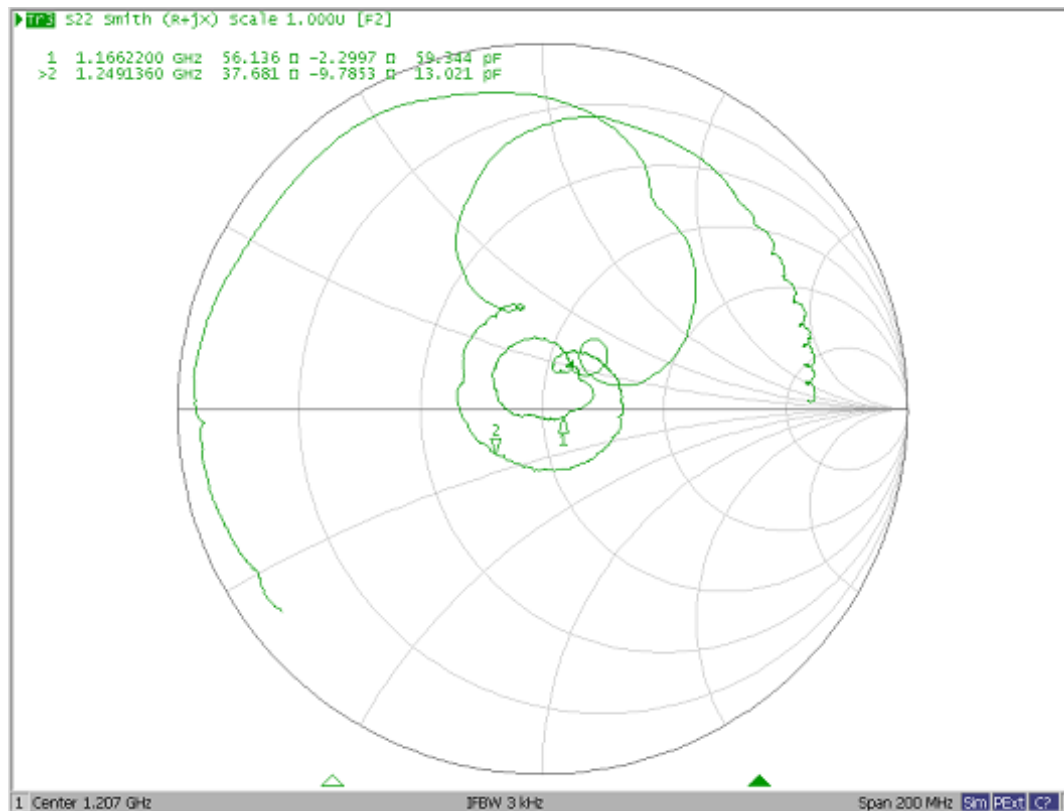
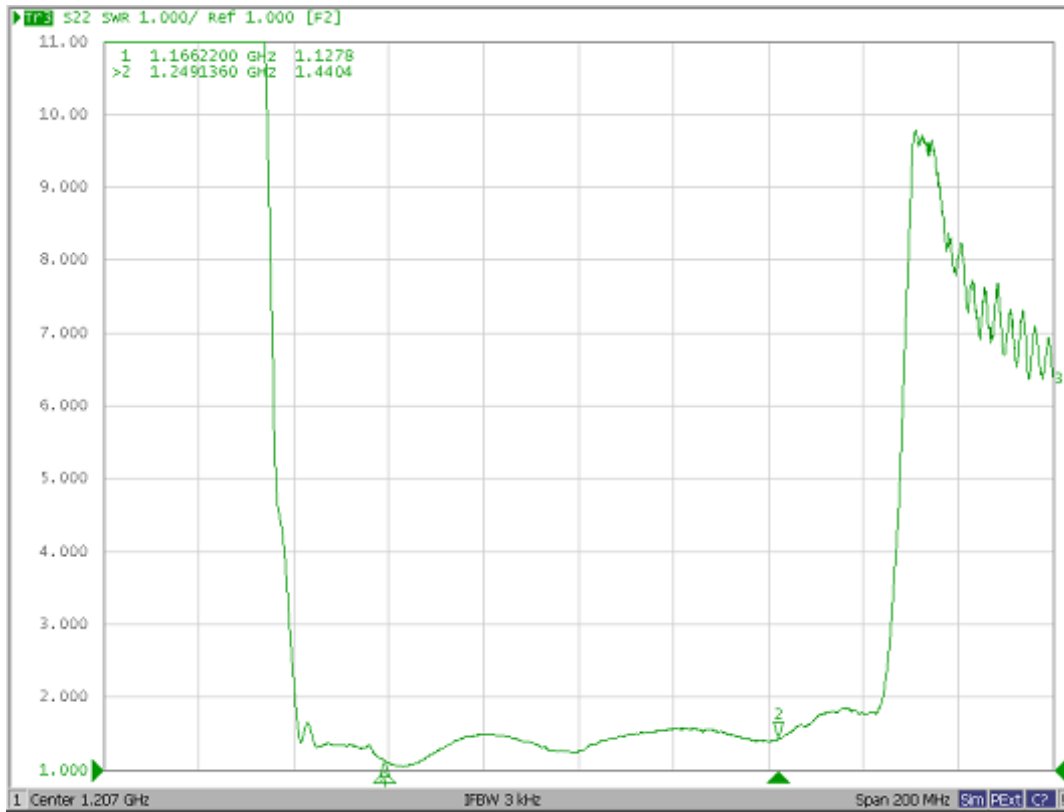
**SAW Filter 1207.50MHz**  
**Part No: MP11438**

**Model: TA2637A**  
**Rev No: 1**



**SAW Filter 1207.50MHz**  
**Part No: MP11438**

**Model: TA2637A**  
**Rev No: 1**

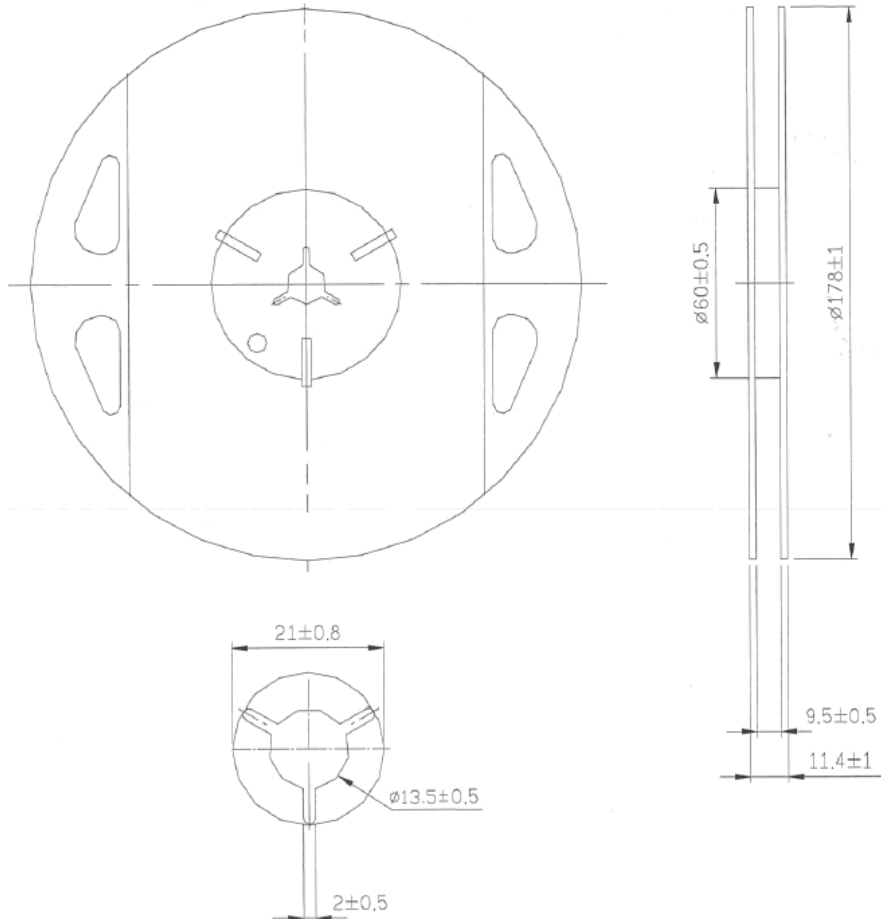


**SAW Filter 1207.50MHz**  
**Part No: MP11438**

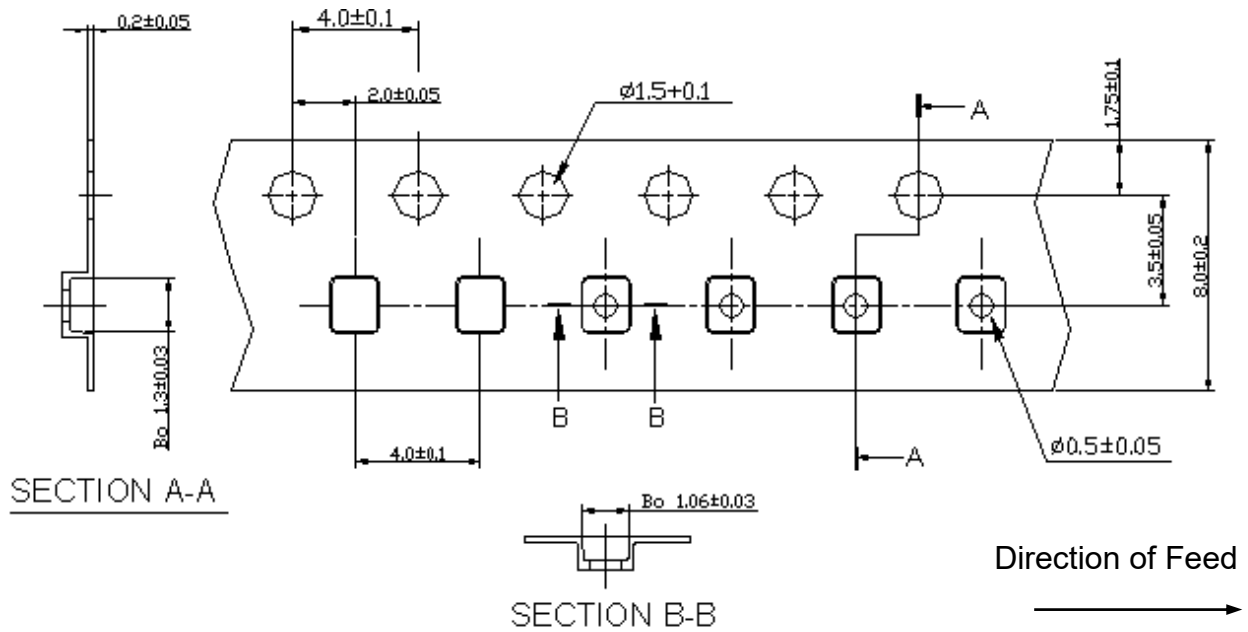
**Model: TA2637A**  
**Rev No: 1**

**G. PACKING:**

1. Reel Dimensions



2. Tape Dimensions



**SAW Filter 1207.50MHz**  
**Part No: MP11438**

**Model: TA2637A**  
**Rev No: 1**

**H. RECOMMENDED REFLOW PROFILE:**

1. Preheating shall be fixed at 150~180°C for 60~90 seconds.
2. Ascending time to preheating temperature 150°C shall be 30 seconds min.
3. Heating shall be fixed at 220°C for 50~80 seconds and at 245~260°C peak (min. 10 sec).
4. Time: 2 times.

