

SAW Filter: 2350.0MHz
Part No: MP10709

Model: TA2574A
Rev No: 1

A. MAXIMUM RATING:

Electrostatic Sensitive Device (ESD)

1. Input Power Level: +20dBm (Ta = +50°C, 5000h, CW)
2. DC Voltage: 5V
3. Operating Temperature: -20°C to +85°C
4. Storage Temperature: -40°C to +100°C
5. Moisture Sensitivity Level: Level 3 (MSL3)
- 6 .ESD 50V (MM), 100V (HBM)

B. ELECTRICAL CHARACTERISTICS:

1. Terminating source impedance: $Z_S = 50\Omega$ (Single-ended)
2. Terminating load impedance: $Z_L = 50\Omega$ (Single-ended)

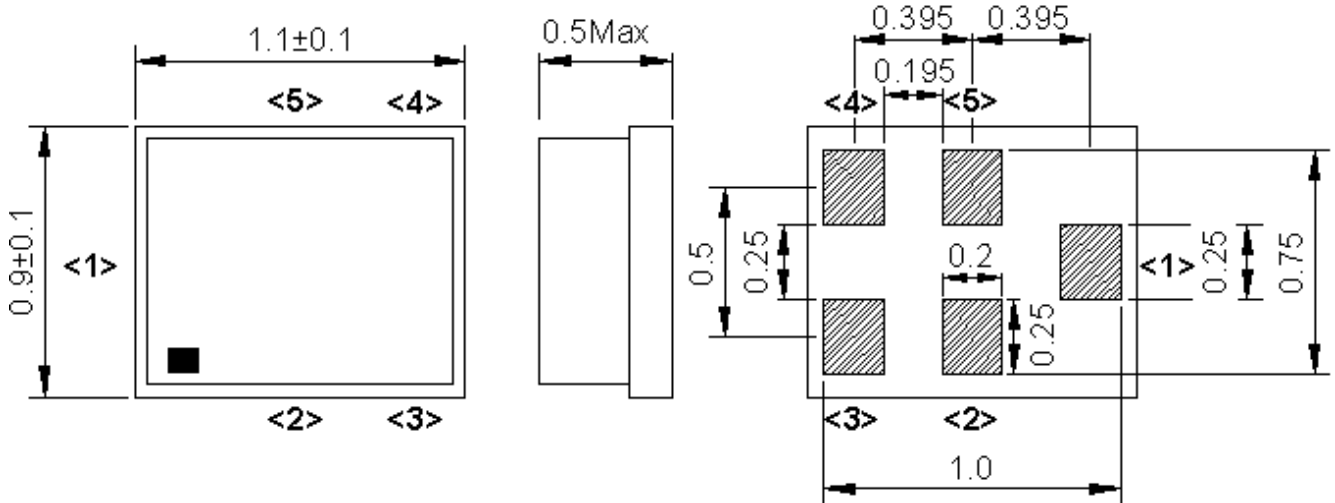
Item	Unit	Min.	Typ.	Max.	Note
Center Frequency Fc	MHz	-	2355	-	-
Insertion Loss (2350 ~ 2360MHz) IL	dB (*1)	-	2.1	2.9	
Ripple (2350 ~ 2360MHz) dB	dB		0.3	1.2	
Input VSWR (2350 ~ 2360MHz)		-	1.6	2.0	-
Output VSWR (2350 ~ 2360MHz)			1.5	2.0	
Attenuation (reference level from 0dB)					
1~ 2305MHz	dB	35	41	-	
2305 ~ 2315MHz	dB	39	50		
2400 ~ 2500MHz	dB	35	38		
2500 ~ 2570MHz	dB	40	43		
2570 ~ 6000MHz	dB	22	32		

(*1) Specification of insertion loss excludes loss that comes from the test board.

SAW Filter: 2350.0MHz
Part No: MP10709

Model: TA2574A
Rev No: 1

C. OUTLINE DRAWING:



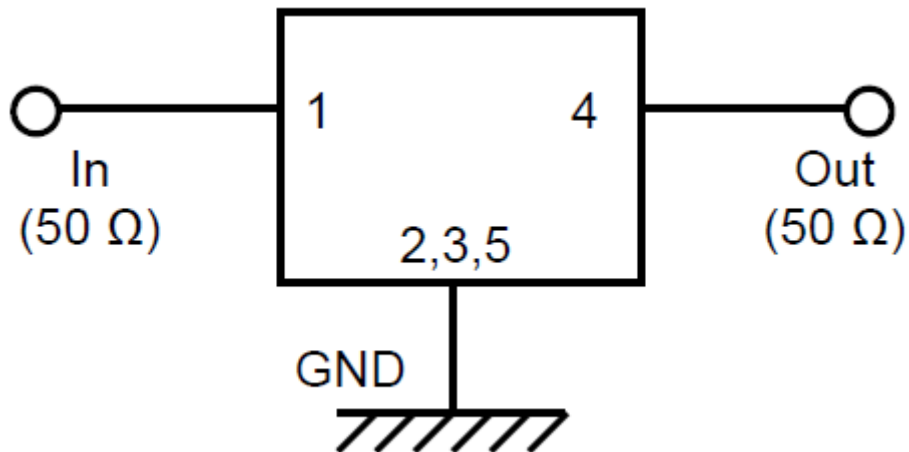
Unit: mm
 Not Specified Tolerance: +/-0.1 mm

Pin assignment

Pin No.	Pin name	Description
1	In	Input
2	GND	Ground
3	GND	Ground
4	Out	Output
5	GND	Ground

Figure 1. Dimensions and Pin assignment

D. MEASUREMENT CIRCUIT:



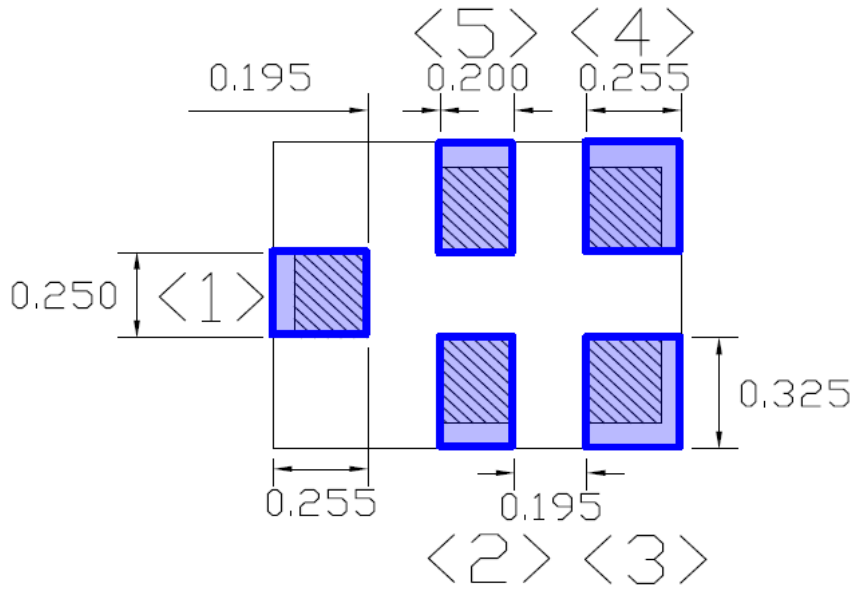
SAW Filter: 2350.0MHz

Model: TA2574A

Part No: MP10709

Rev No: 1

E. PCB FOOTPRINT:

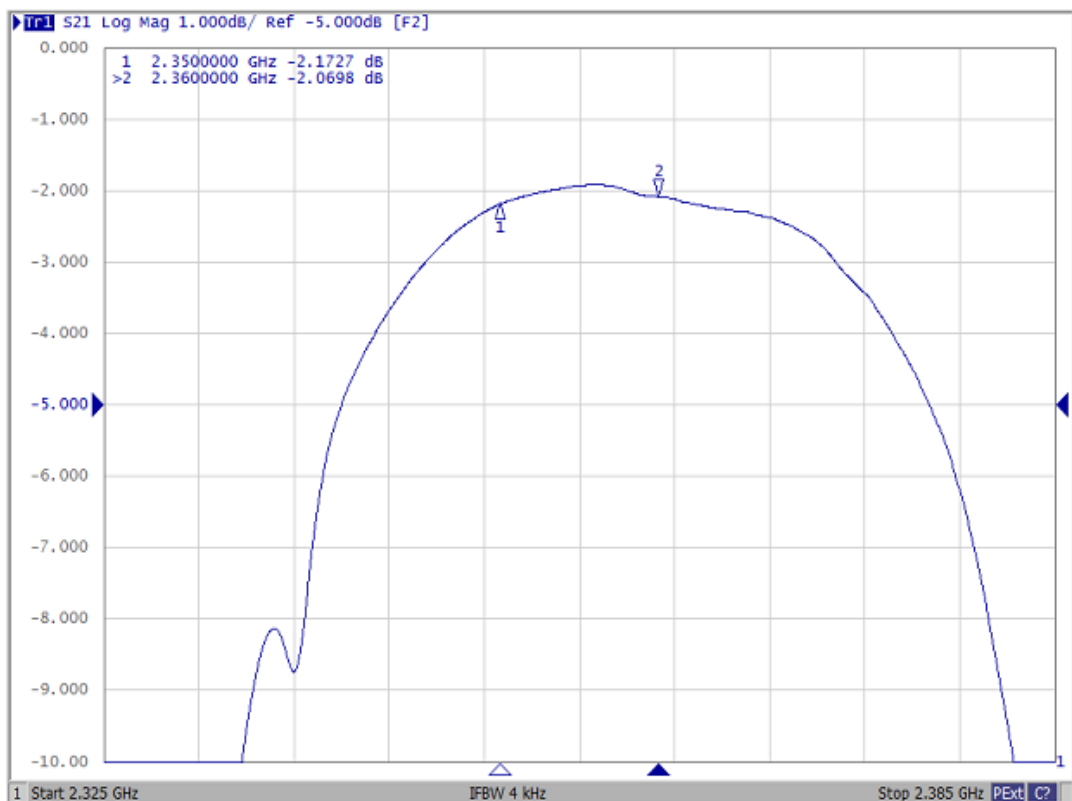
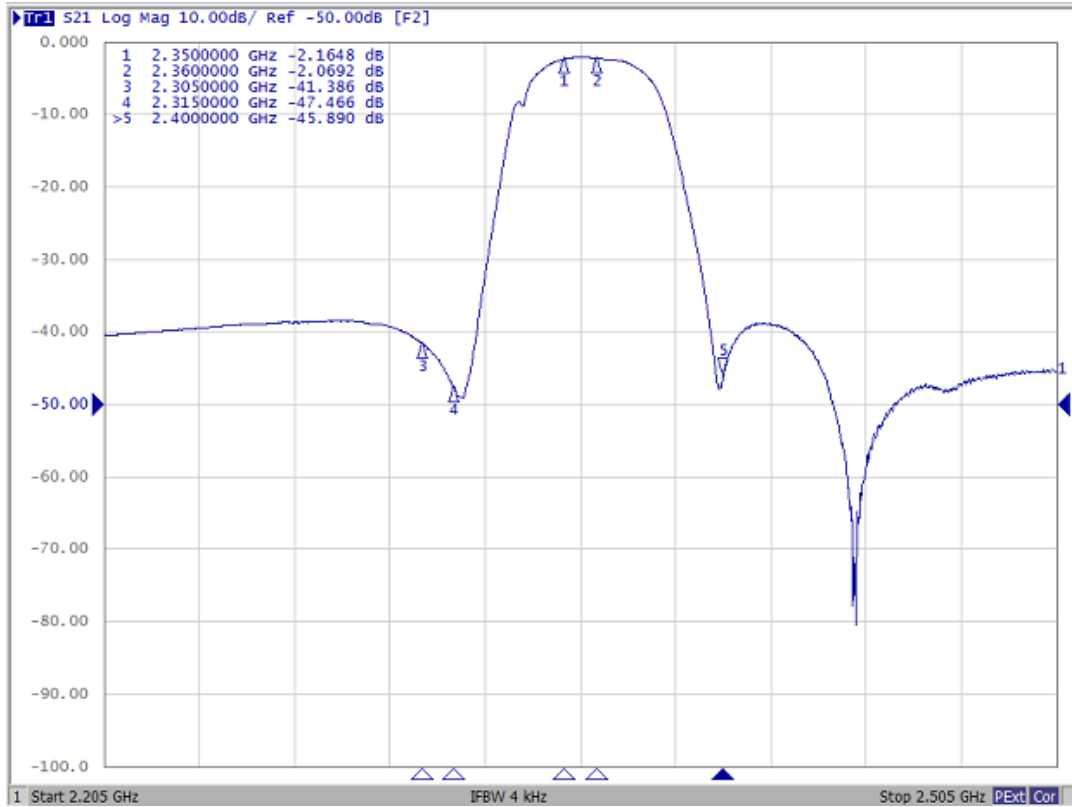


SAW Filter: 2350.0MHz
Part No: MP10709

Model: TA2574A
Rev No: 1

F. FREQUENCY CHARACTERISTICS:

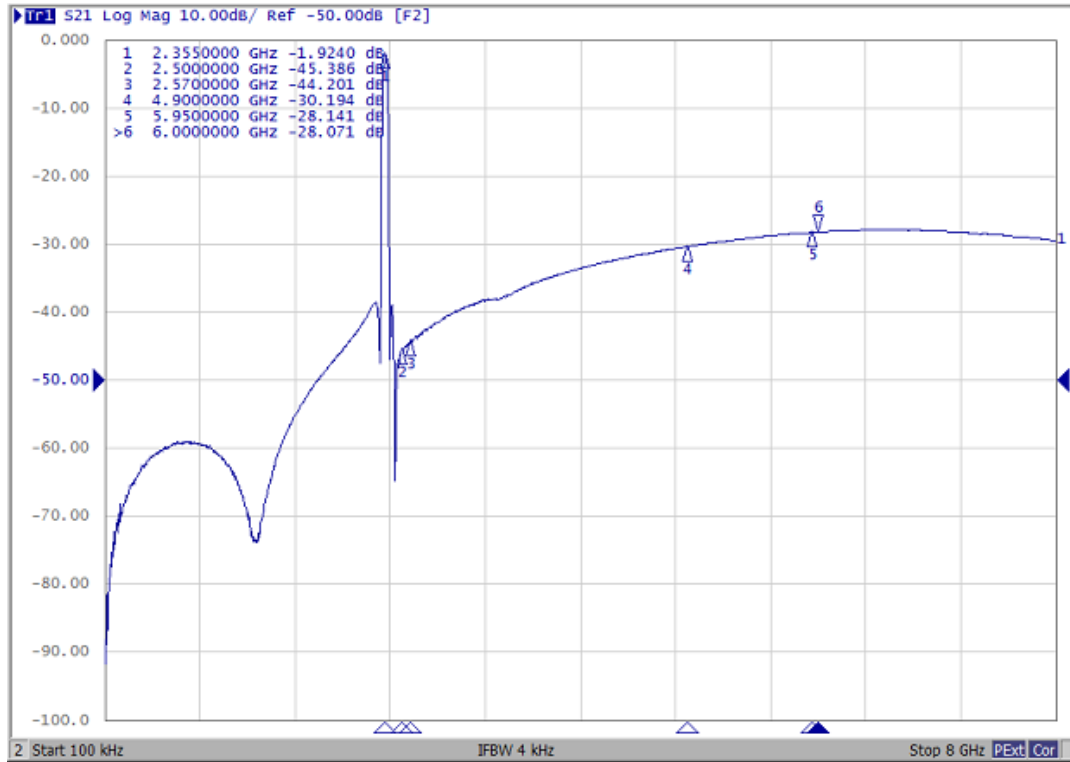
1. Passband



SAW Filter: 2350.0MHz
Part No: MP10709

Model: TA2574A
Rev No: 1

2. Wideband

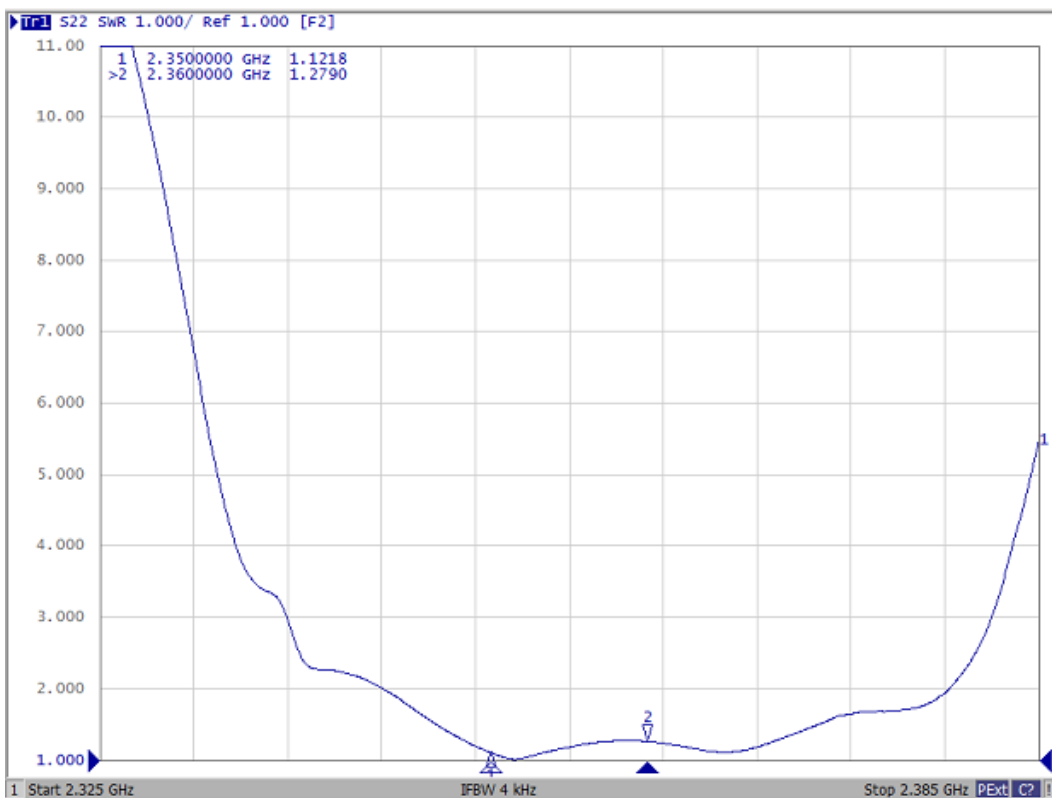
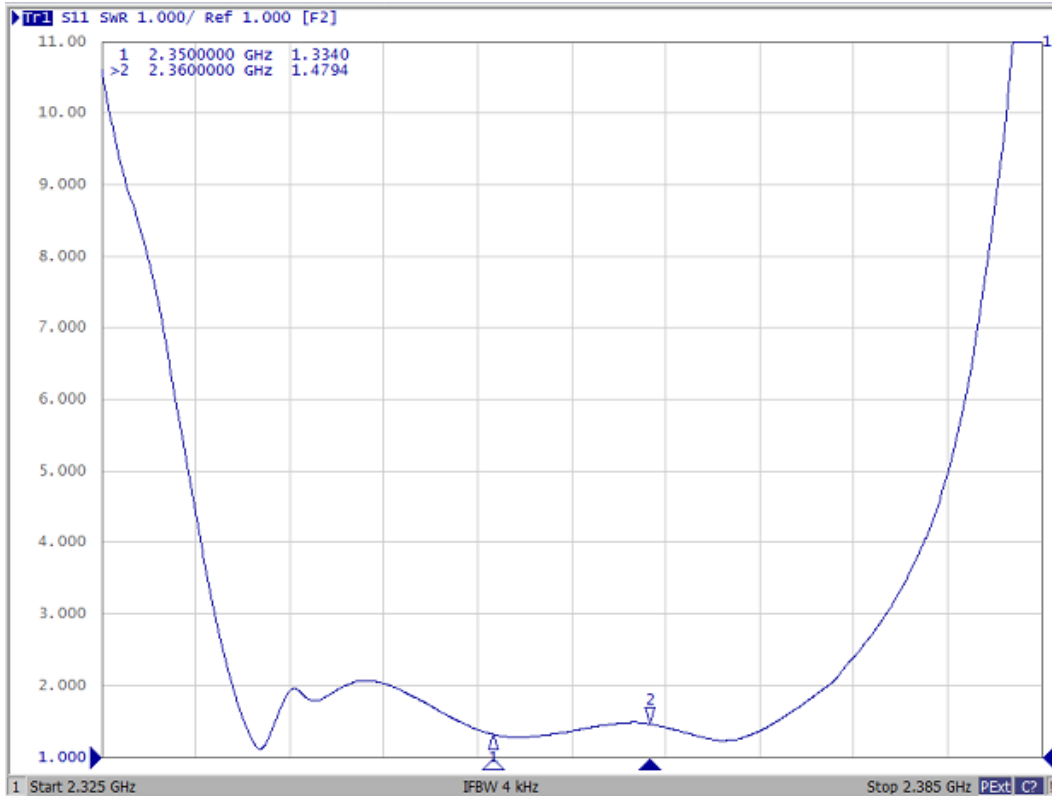


SAW Filter: 2350.0MHz
Part No: MP10709

Model: TA2574A
Rev No: 1

3. Reflection Functions

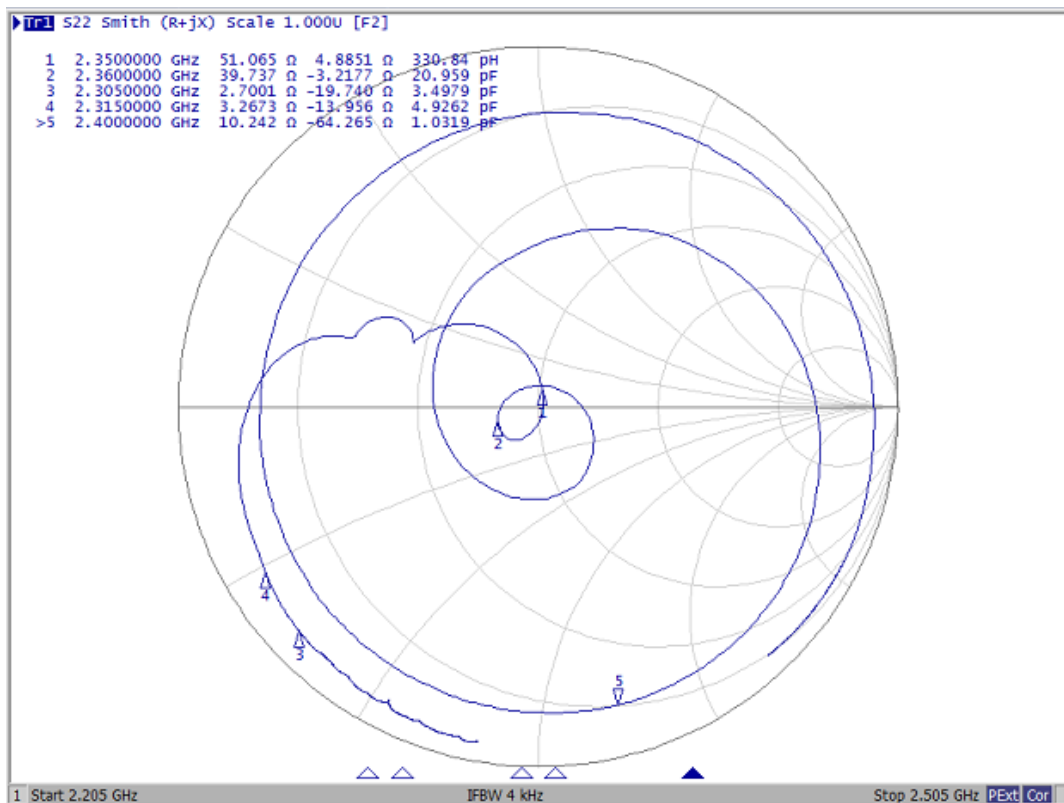
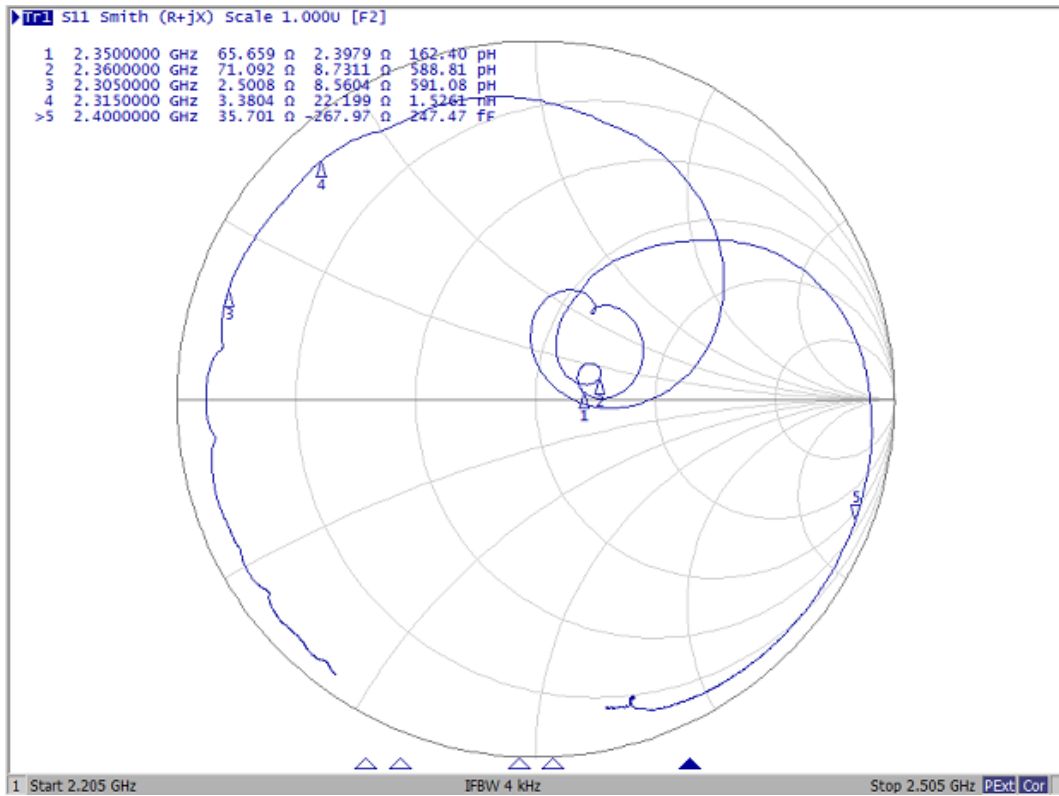
VSWR



SAW Filter: 2350.0MHz
Part No: MP10709

Model: TA2574A
Rev No: 1

Smith Chart

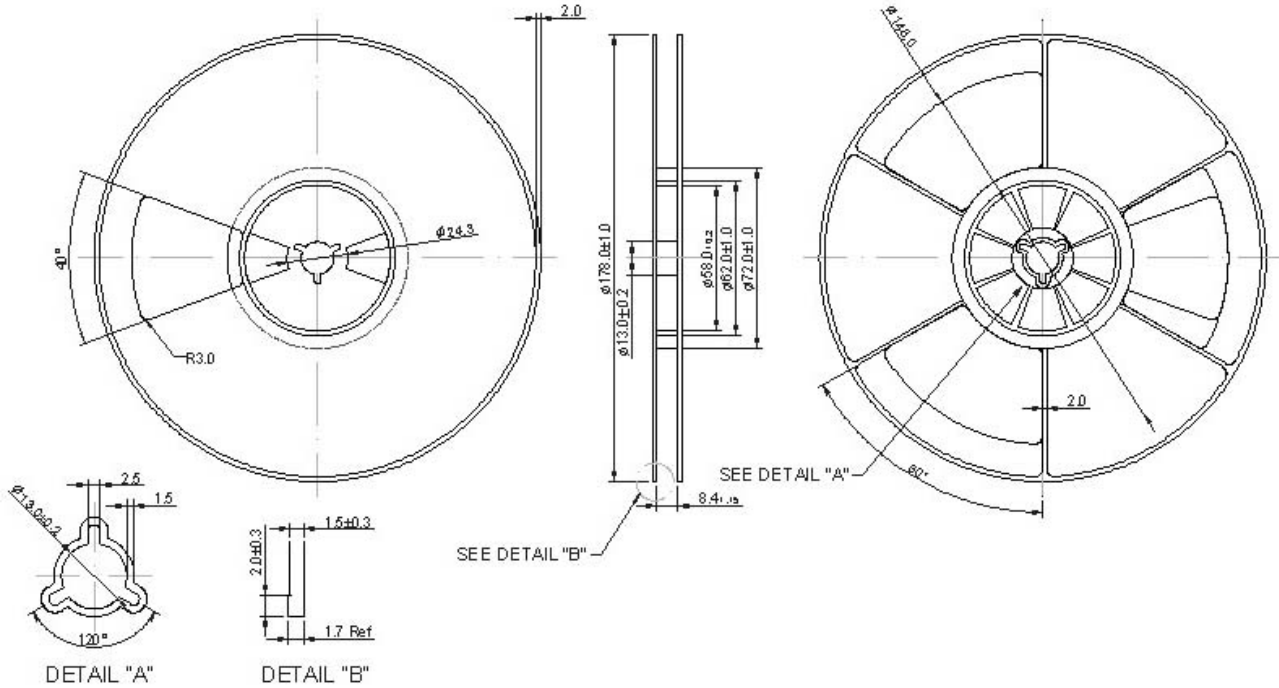


SAW Filter: 2350.0MHz
Part No: MP10709

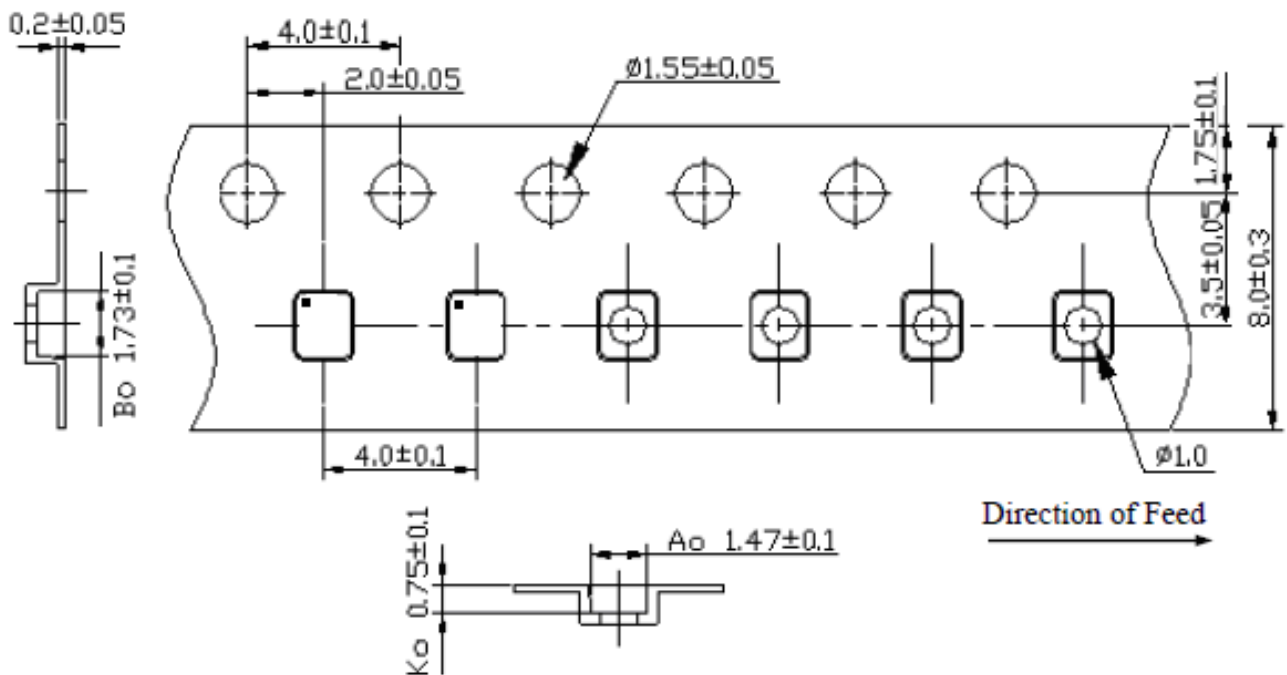
Model: TA2574A
Rev No: 1

G. PACKING:

1. Reel Dimensions



2. Tape Dimensions



SAW Filter: 2350.0MHz
Part No: MP10709

Model: TA2574A
Rev No: 1

H. RECOMMENDED REFLOW PROFILE:

1. Preheating shall be fixed at 150 ~ 180°C for 60~90 seconds.
2. Ascending time to preheating temperature 150°C shall be 30 seconds min.
3. Heating shall be fixed at 220°C for 50 ~ 80 seconds and at 245 ~ 260°C peak (min. 10 sec).
4. Time: 2 times.

