

**SAW Filter 1737.50MHz**

**Model: TA2698AA3112**

**Part No: MP10866**

**Rev No: 1**

**A. MAXIMUM RATING:**

Electrostatic Sensitive Device (ESD)

1. Input Power Level: 15dBm
2. DC Voltage: 0V
3. Operating Temperature: +0°C to +85°C
4. Storage Temperature: -40°C to +85°C
5. Moisture Sensitive Level: MSL1

**B. ELECTRICAL CHARACTERISTICS:**

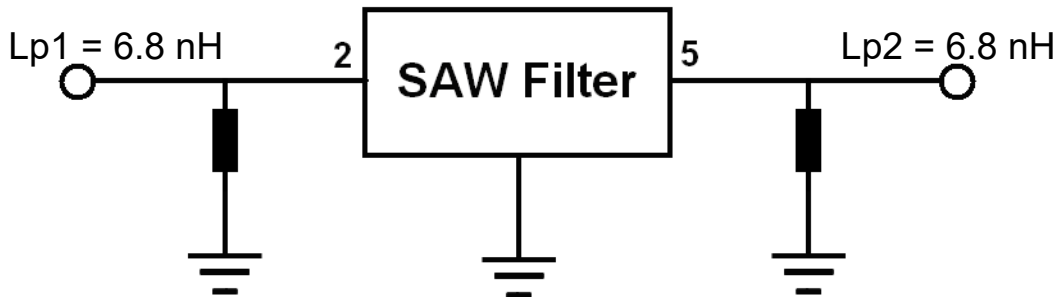
1. Terminating source impedance (single):  $Z_S = 50\Omega$
2. Terminating load impedance (single):  $Z_L = 50\Omega$

Item	Unit	Min.	Typ.	Max.
Center Frequency	MHz	-	1737.5	-
Insertion Loss (1695 ~ 1780MHz)	dB	-	2.5	3.5
Amplitude ripple (1695 ~ 1780MHz)	dB	-	0.6	2.0
Return Loss (1695 ~ 1780MHz)	dB	8	11	-
Attenuation				
0010 ~ 1320MHz	dB	30	40	-
1995 ~ 2200MHz	dB	22	27	-
2200 ~ 3000MHz	dB	25	29	-
Temperature Coefficient of Frequency	ppm/°C	-	-36	-

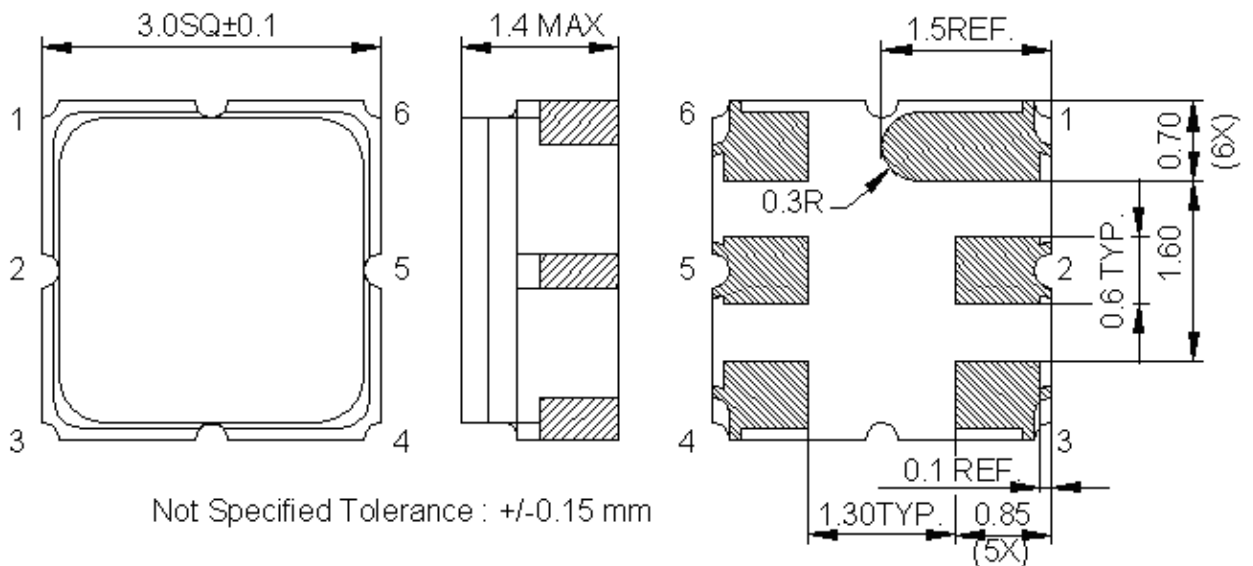
**SAW Filter 1737.50MHz**  
**Part No: MP10866**

**Model: TA2698AA3112**  
**Rev No: 1**

**C. TEST CIRCUIT:**



**D. OUTLINE DRAWING:**



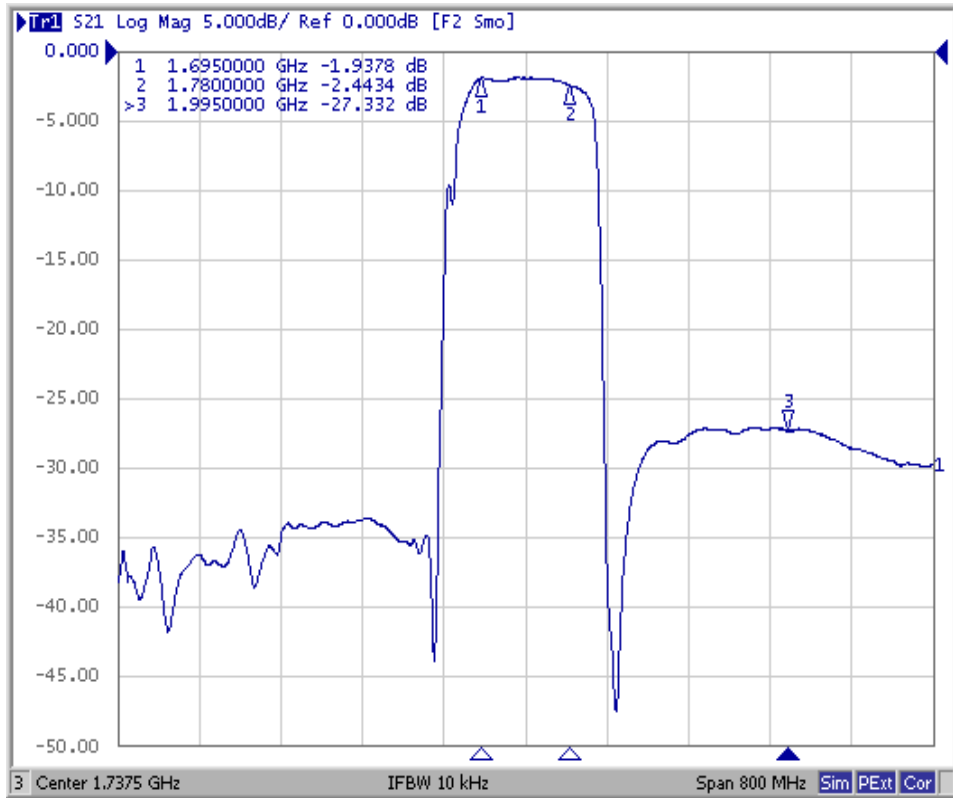
- 2: Input
- 5: Output
- Other: Ground
- Unit: mm

**SAW Filter 1737.50MHz**  
**Part No: MP10866**

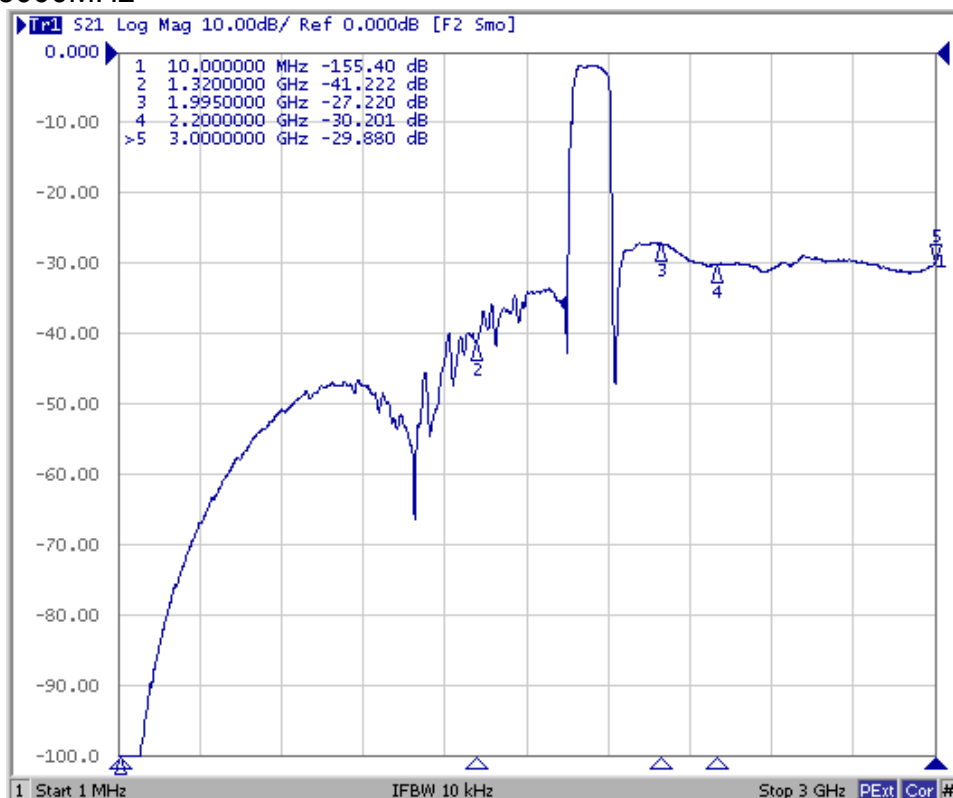
**Model: TA2698AA3112**  
**Rev No: 1**

**E. FREQUENCY CHARACTERISTICS:**

1. Span 800MHz



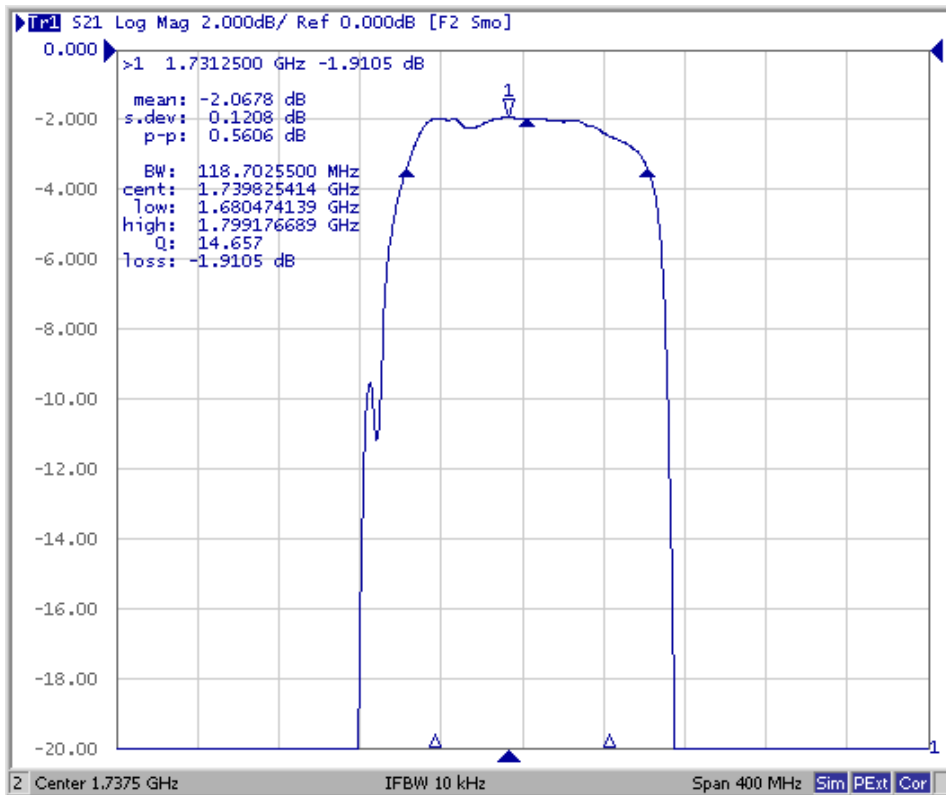
2. Span 3000MHz



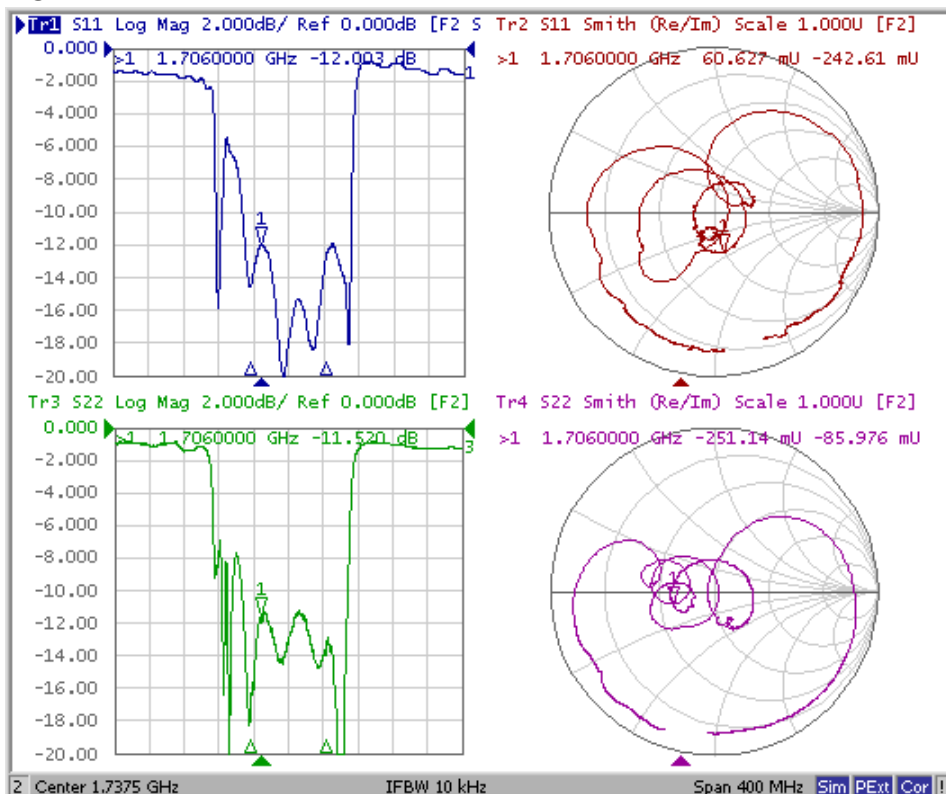
**SAW Filter 1737.50MHz**  
**Part No: MP10866**

**Model: TA2698AA3112**  
**Rev No: 1**

### 3. Span 100MHz



### 4. Reflection Characteristics



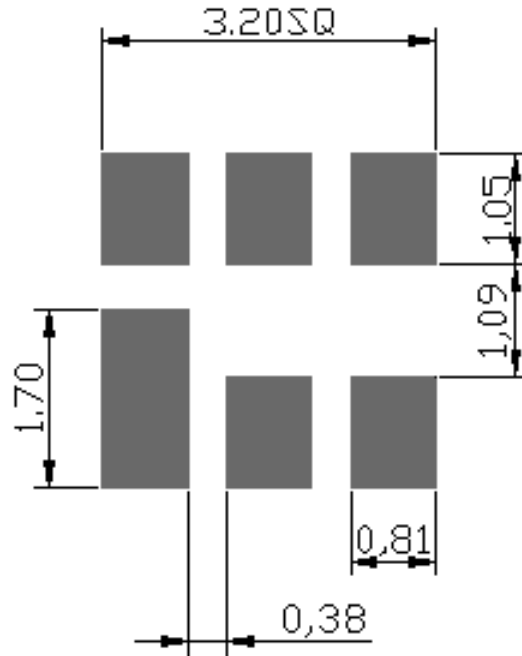
**SAW Filter 1737.50MHz**

**Model: TA2698AA3112**

**Part No: MP10866**

**Rev No: 1**

**F. PCB FOOTPRINT:**

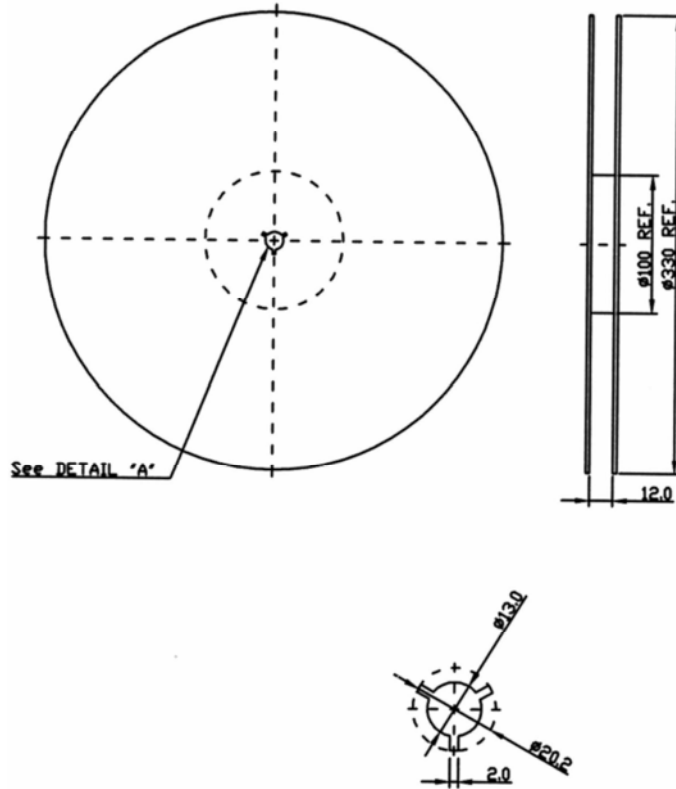


**SAW Filter 1737.50MHz**  
**Part No: MP10866**

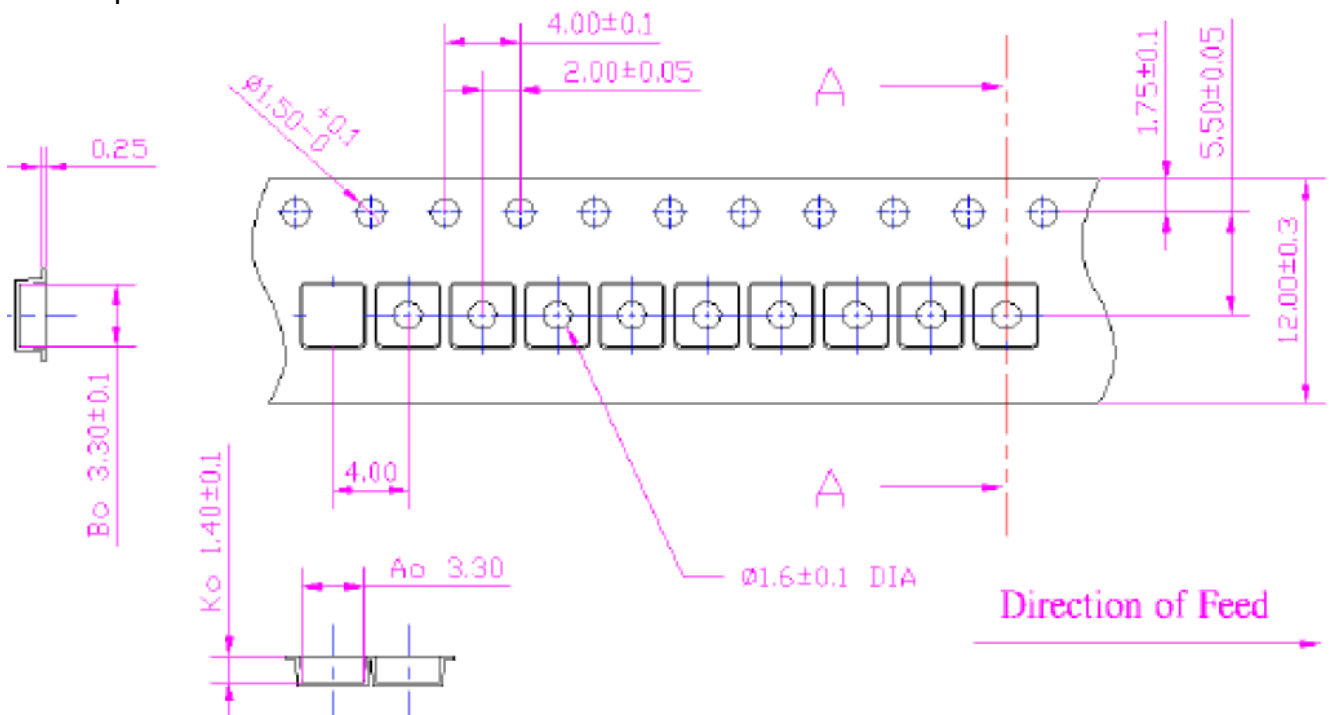
**Model: TA2698AA3112**  
**Rev No: 1**

**G. PACKING:**

1. Reel Dimensions



2. Tape Dimensions



**SAW Filter 1737.50MHz**

**Model: TA2698AA3112**

**Part No: MP10866**

**Rev No: 1**

**H. RECOMMENDED REFLOW PROFILE:**

1. Preheating shall be fixed at 150°C ~ 180°C for 60 ~ 90 seconds.
2. Ascending time to preheating temperature 150°C shall be 30 seconds min.
3. Heating shall be fixed at 220°C for 50 ~ 80 seconds and at 260°C +0/-5°C peak (20 ~ 40 sec).
4. Time: 2 times.

