

1795.0MHz SAW Filter

Model: TA2032B

Part No: MP11223

Rev No: 1

A. MAXIMUM RATING:

Electrostatic Sensitive Device (ESD)

1. Input Power Level: 10 dBm
2. DC Voltage: 3V
3. Operating Temperature: -40°C to +85°C
4. Storage Temperature: -40°C to +85°C
5. Moisture Sensitive Level: Level 1 (MSL1)

B. ELECTRICAL CHARACTERISTICS:

1. Terminating source impedance: $Z_S = 50\Omega$
2. Terminating load impedance: $Z_L = 50\Omega$

Item	Unit	Min.	Typ.	Max.
Center Frequency	MHz	-	1795	-
Insertion Loss (1785 ~ 1805MHz)	dB	-	2.1	3.0
Amplitude ripple (1785 ~ 1805MHz)	dB	-	0.8	1.6
VSWR (1785 ~ 1805MHz)	-	-	2.0	2.3
Group Delay Ripple (1785 ~ 1805MHz)	ns	-	4	7
Attenuation				
0010 ~ 0210MHz	dB	40	51	-
0210 ~ 1377MHz	dB	30	41	-
1377 ~ 1397MHz	dB	30	42	-
1397 ~ 1581MHz	dB	35	42	-
1581 ~ 1601MHz	dB	35	48	-
1601 ~ 1735MHz	dB	30	37	-
1845 ~ 1880MHz	dB	40	58	-
1880 ~ 1989MHz	dB	40	48	-
1989 ~ 2009MHz	dB	40	50	-
2009 ~ 3500MHz	dB	25	34	-
3500 ~ 4000MHz	dB	20	29	-
4000 ~ 8500MHz	dB	5	6	-
Temperature Coefficient	ppm/K	-	-36	-

1795.0MHz SAW Filter
Part No: MP11223

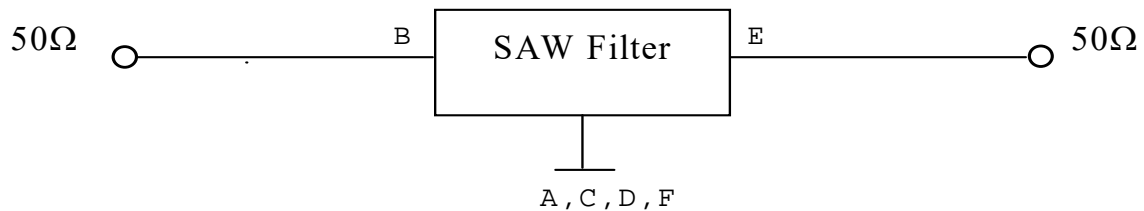
Model: TA2032B
Rev No: 1

Notes:

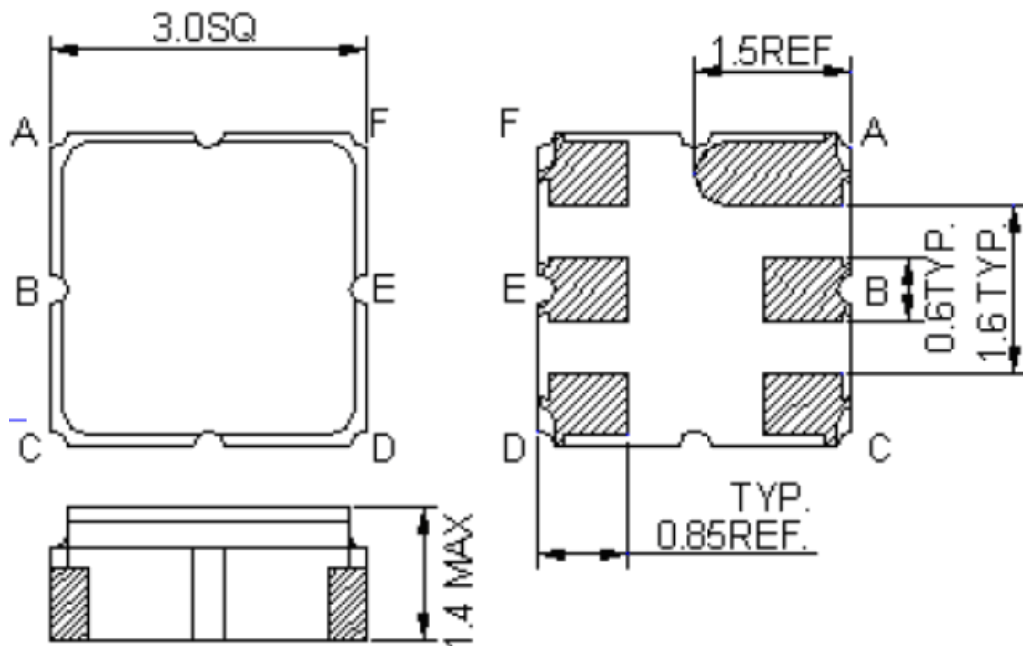
1. In production, devices will be tested at room temperature to a guard banded specification to ensure electrical compliance over temperature.
2. Typical values are based on average measurements at room temperature.

C. MEASUREMENT CIRCUIT:

HP Network analyzer



D. OUTLINE DRAWING:



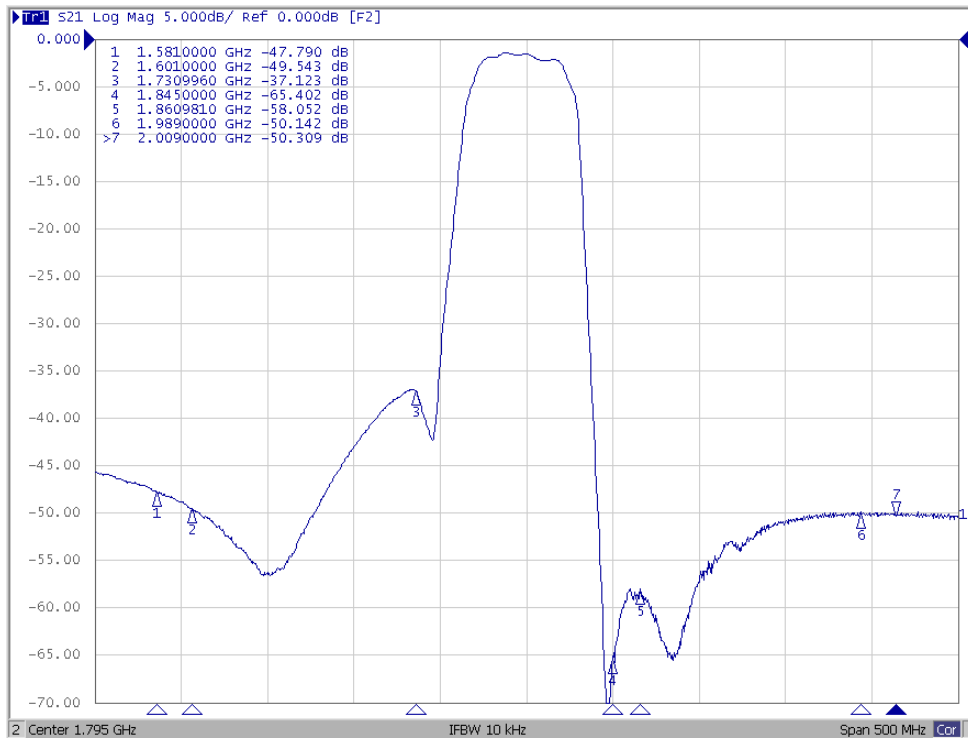
B: Input
E: Output
A, C, D, F: Ground
Unit: mm

1795.0MHz SAW Filter
Part No: MP11223

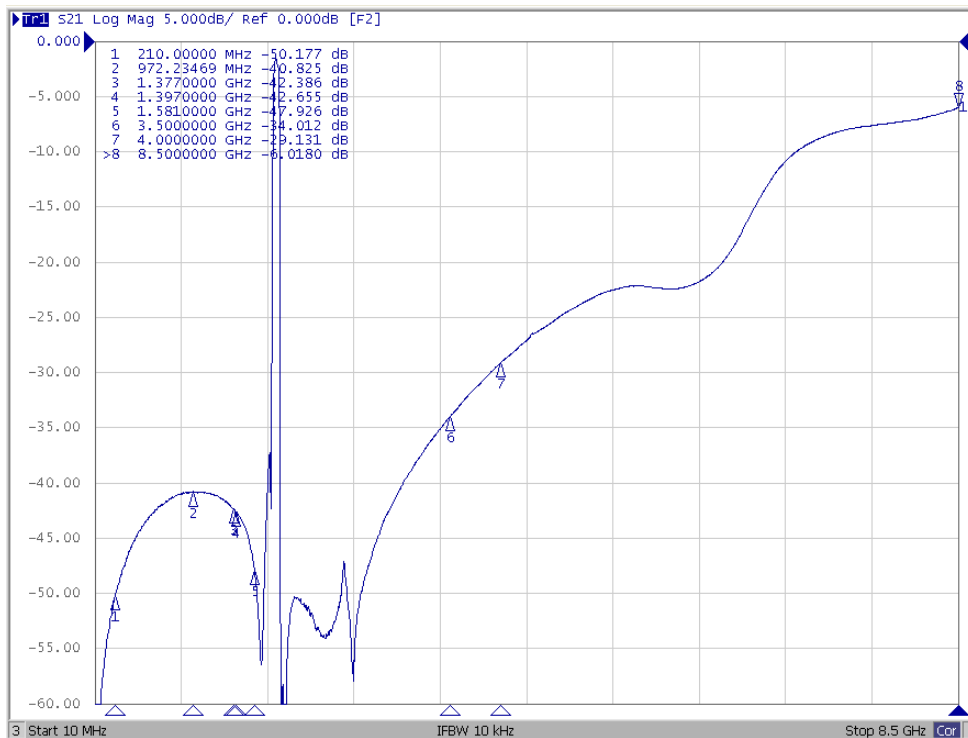
Model: TA2032B
Rev No: 1

E. FREQUENCY CHARACTERISTICS:

1. Span 500MHz



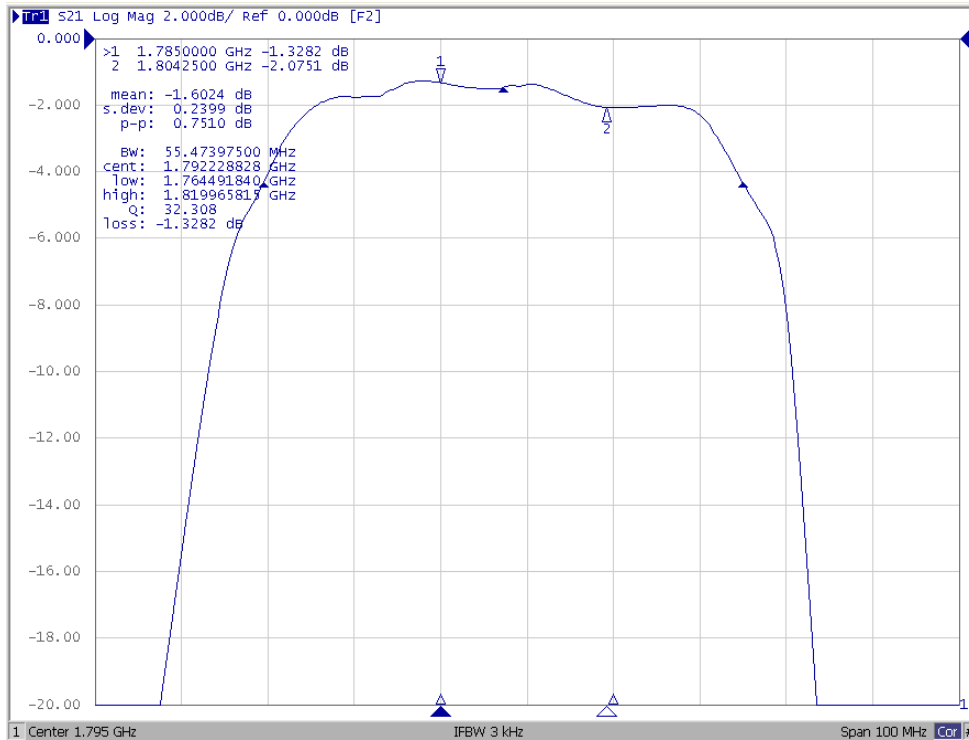
2. Span 8500MHz



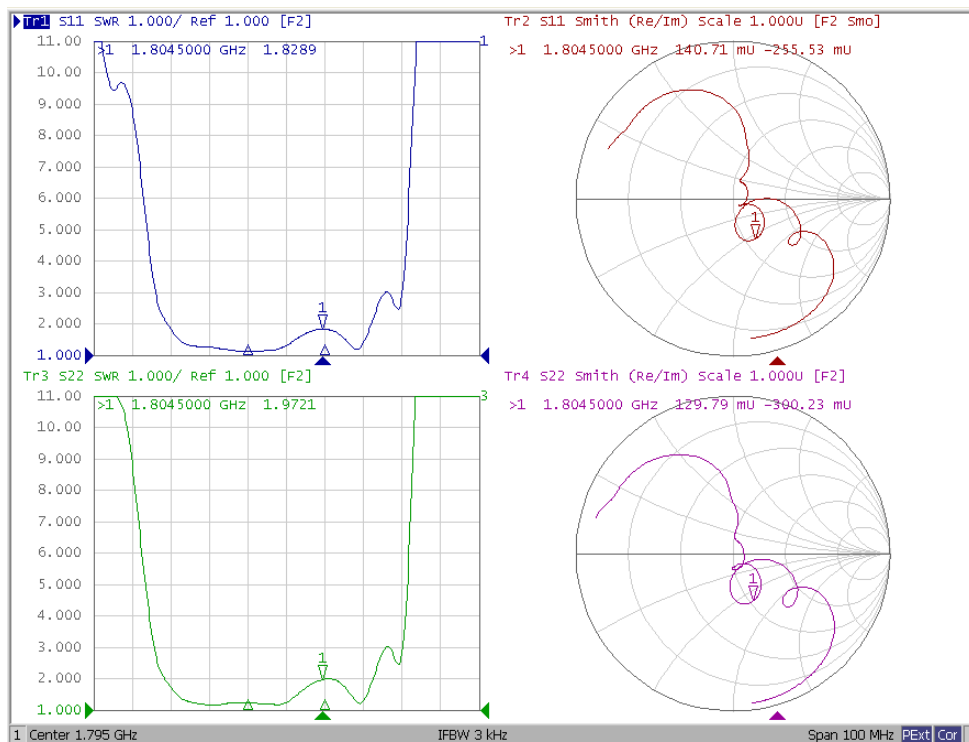
1795.0MHz SAW Filter
Part No: MP11223

Model: TA2032B
Rev No: 1

3. Span 100MHz



4. Reflection function (Span 100)



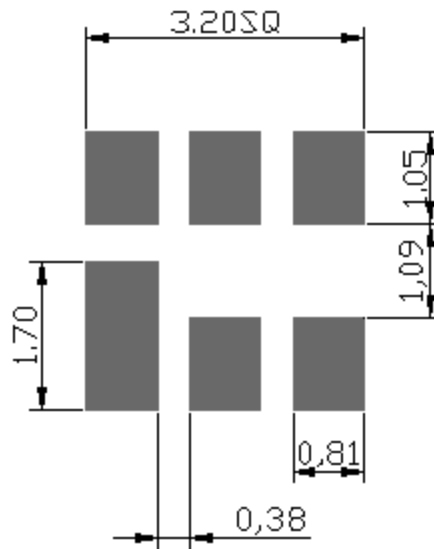
1795.0MHz SAW Filter

Model: TA2032B

Part No: MP11223

Rev No: 1

F. PCB FOOTPRINT:

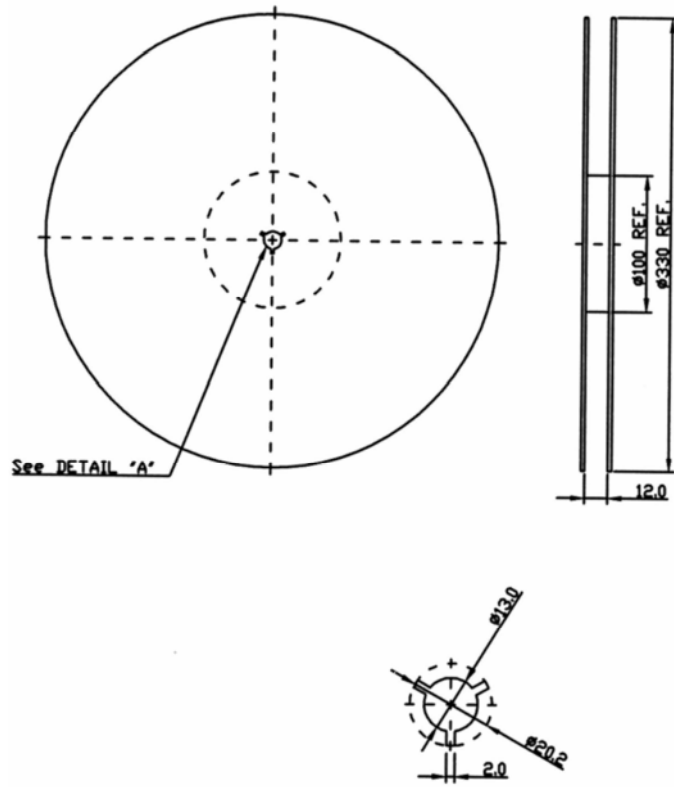


1795.0MHz SAW Filter
Part No: MP11223

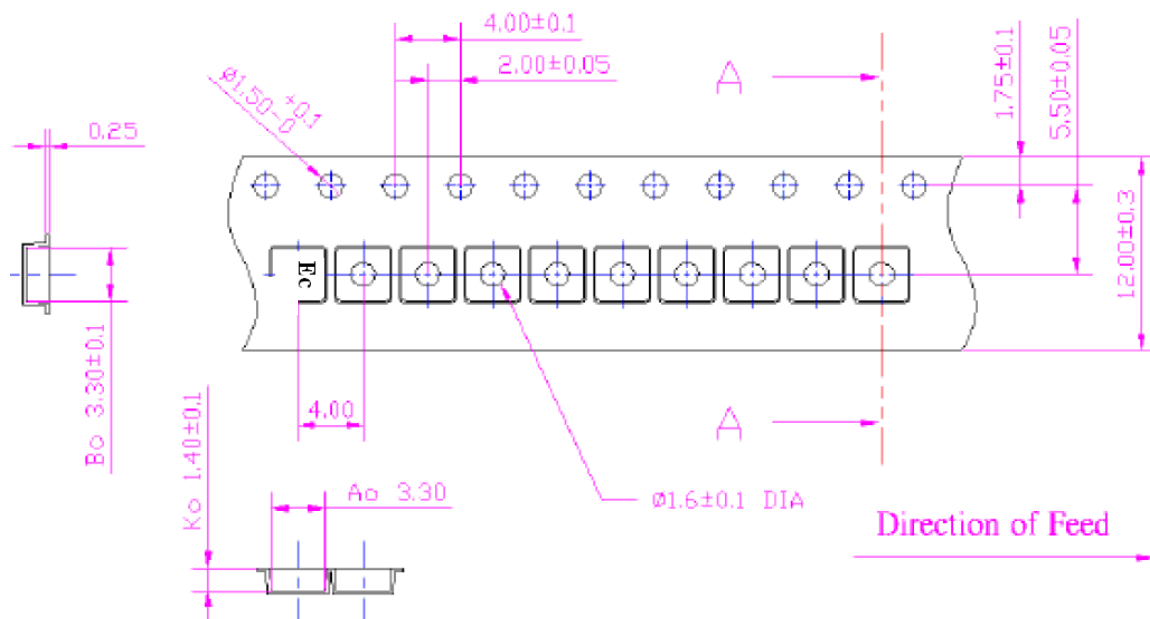
Model: TA2032B
Rev No: 1

G. PACKING:

1. Reel Dimensions



2. Tape Dimensions



1795.0MHz SAW Filter
Part No: MP11223

Model: TA2032B
Rev No: 1

H. RECOMMENDED REFLOW PROFILE:

1. Preheating shall be fixed at 150~180°C for 60~90 seconds.
2. Ascending time to preheating temperature 150°C shall be 30 seconds min.
3. Heating shall be fixed at 220°C for 50~80 seconds and at 260°C +0/-5°C peak (20~40sec).
4. Time: 2 times.

