

2017.50MHz SAW Filter

Model: TA2667B

Part No: MP11224 (Compliant with AEC-Q200)

Rev No: 1

A. MAXIMUM RATING:

Electrostatic Sensitive Device (ESD)

1. Input Power Level: 15dBm
2. DC Voltage: 5V
3. Operating Temperature: -40°C to +85°C
4. Storage Temperature: -40°C to +85°C
5. Moisture Sensitivity Level: Level 3
- 6 .ESD 50V (MM), 100V (HBM)

B. ELECTRICAL CHARACTERISTICS:

1. Terminating source impedance: $Z_S = 50\Omega$ (Single-ended)
2. Terminating load impedance: $Z_L = 50\Omega$ (Single-ended)

Item	Unit	Min.	Typ.	Max.	Note
Center Frequency Fc	MHz	-	2017.5		
Insertion Loss (*1) (2010 ~ 2025MHz) IL	dB(*1)	-	1.3	1.7	
Amplitude Ripple (2010 ~ 2025MHz)	dB	-	0.2	0.7	
VSWR (Input) (2010 ~ 2025MHz)			1.5	2.0	
VSWR (Output) (2010 ~ 2025MHz)			1.3	2.0	
Attenuation (reference level from 0dB)					
10~ 1925MHz	dB	37	43	-	-
824 ~ 894MHz	dB	40	45	-	
880 ~ 960MHz	dB	40	45	-	
1710 ~ 1880MHz	dB	41	44	-	
1880 ~ 1920MHz	dB	42	46	-	
1920 ~ 1955MHz	dB	42	50		
1955 ~ 1980MHz	dB	16	39		
2050 ~ 2085MHz	dB	2.0	4.2	-	
	dB	3.5	4.2	-	@+23 to +27°C
2085 ~ 2110MHz	dB	34	51	-	
2110 ~ 2170MHz	dB	40	52	-	
2300 ~ 2400MHz	Db	33	45	-	

2017.50MHz SAW Filter

Model: TA2667B

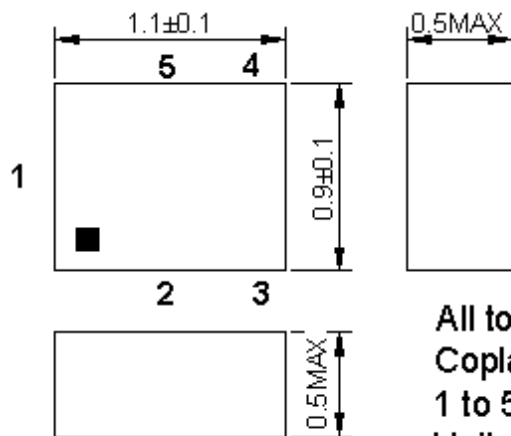
Part No: MP11224 (Compliant with AEC-Q200)

Rev No: 1

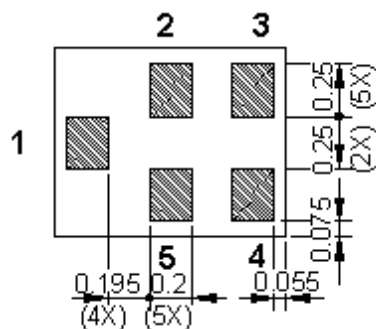
2400 ~ 2500MHz	dB	36	45	-	
2496 ~ 2690MHz	dB	41	45		
2555 ~ 2655MHz	dB	42	45		
4020 ~ 4050MHz	dB	30	52		
4900 ~ 5950MHz	dB	32	55		

(*1) Specification of insertion loss excludes loss that comes from the test board.

C. OUTLINE DRAWING:



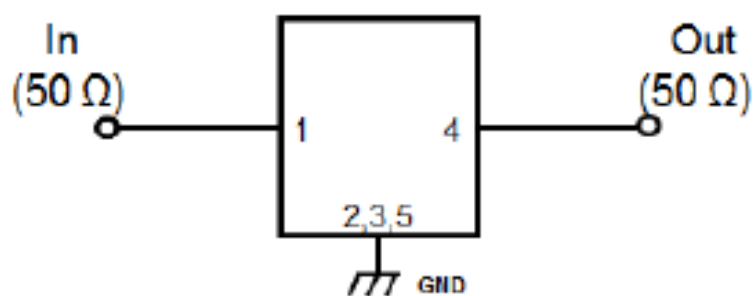
All tolerances are +/-0.05 mm unless otherwise specified
 Coplanarity : 0.1 mm max.
 1 to 5 : Pin No.
 Unit : mm



Pin Configuration

Pin No.	Symbol	Function
1	IN	Input
2	GND	Ground
3	GND	Ground
4	OUT	Output
5	GND	Ground

D. MEASUREMENT CIRCUIT:



1~5: Pin No.

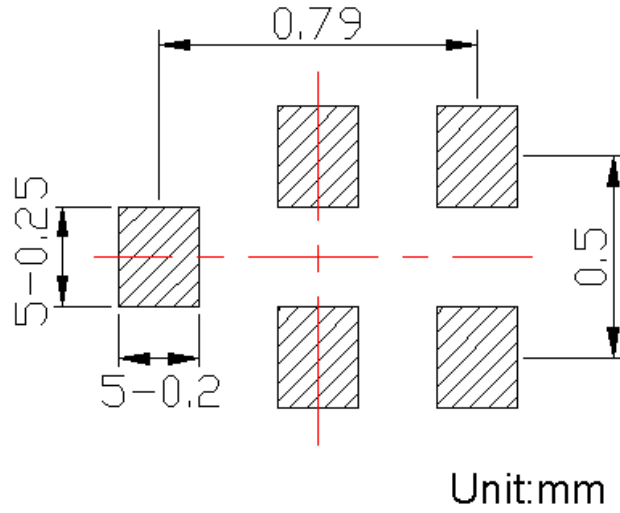
2017.50MHz SAW Filter

Model: TA2667B

Part No: MP11224 (Compliant with AEC-Q200)

Rev No: 1

E. PCB FOOTPRINT:



2017.50MHz SAW Filter

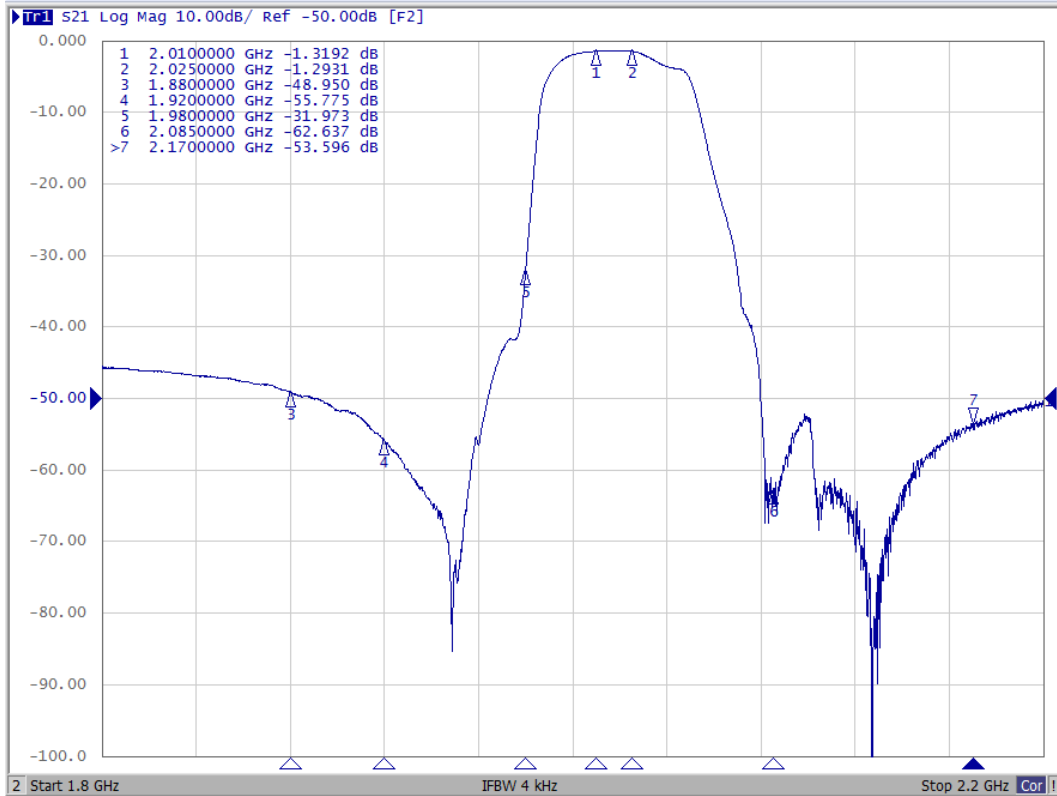
Model: TA2667B

Part No: MP11224 (Compliant with AEC-Q200)

Rev No: 1

F. FREQUENCY CHARACTERISTICS:

1. Passband



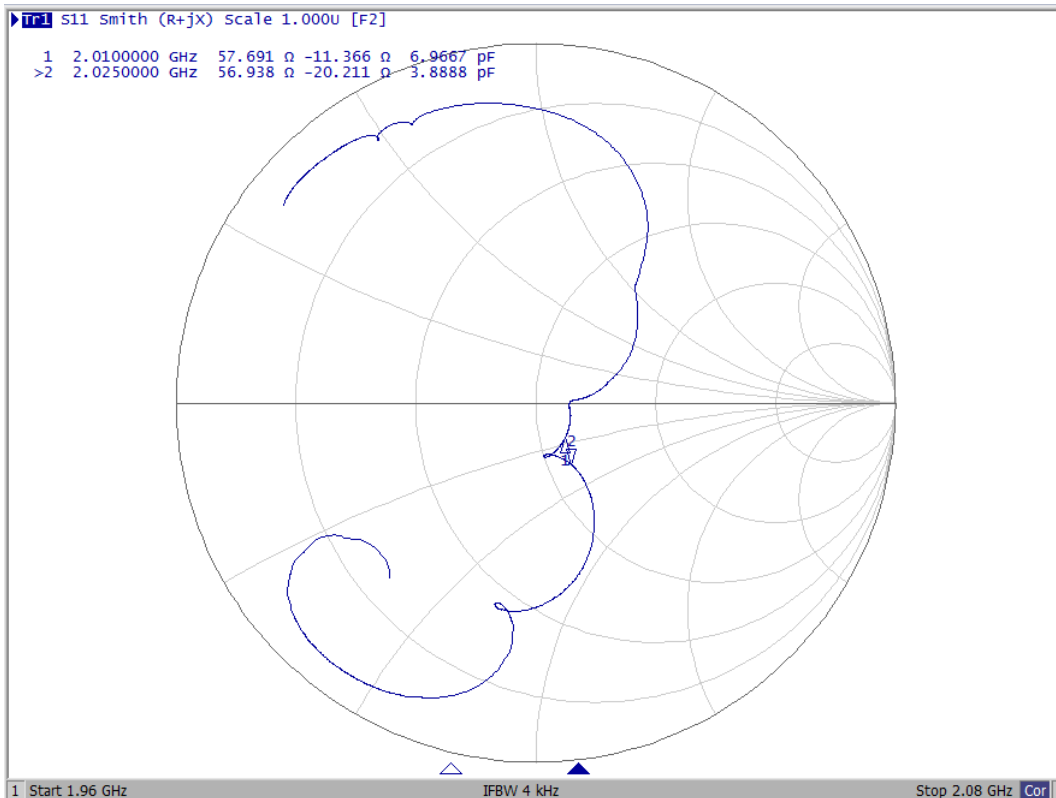
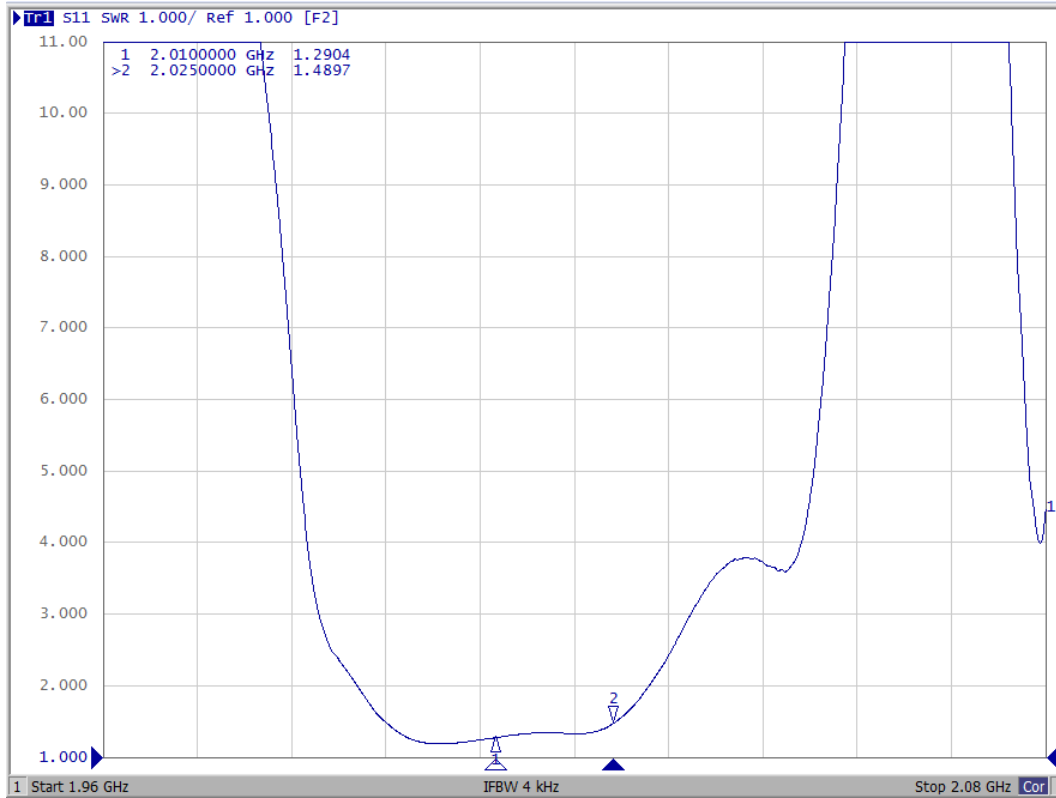
2017.50MHz SAW Filter

Model: TA2667B

Part No: MP11224 (Compliant with AEC-Q200)

Rev No: 1

2. Input Port



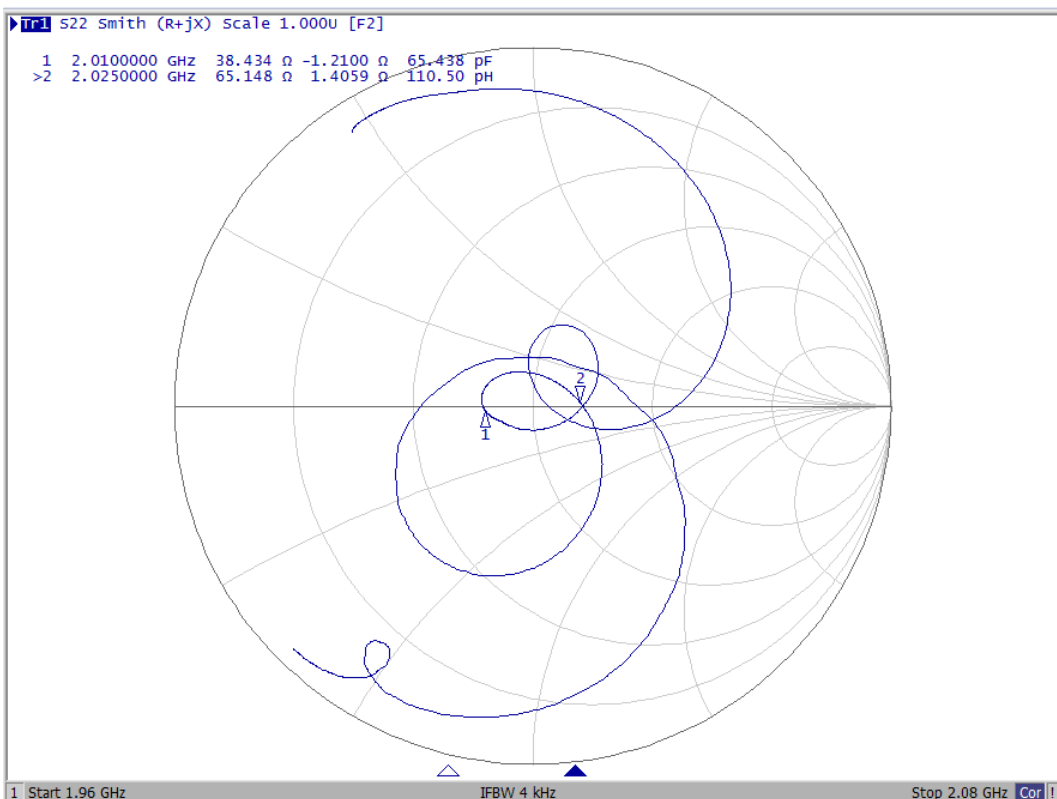
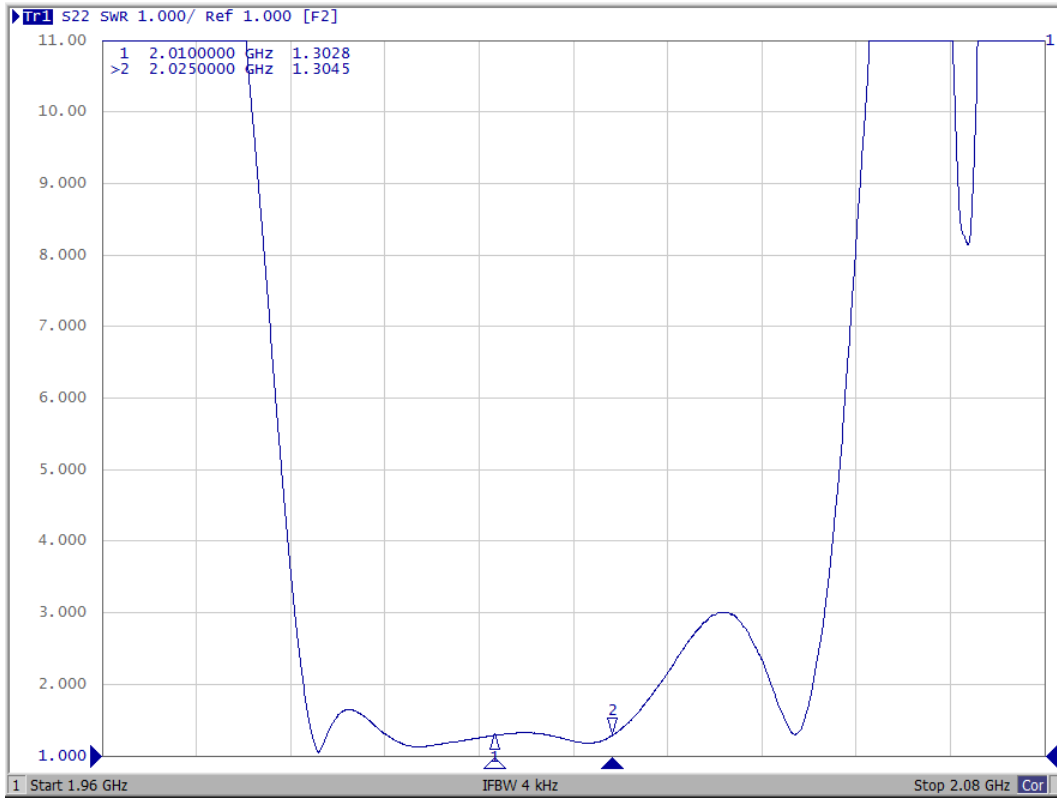
2017.50MHz SAW Filter

Model: TA2667B

Part No: MP11224 (Compliant with AEC-Q200)

Rev No: 1

3. Output Port



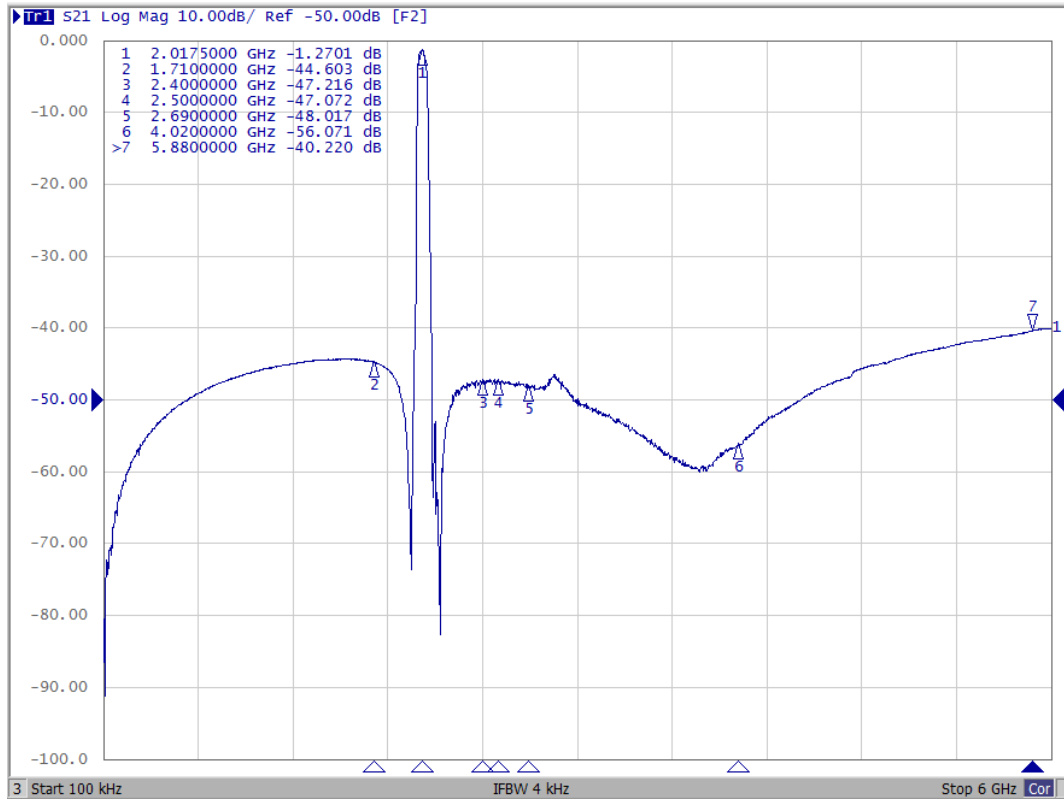
2017.50MHz SAW Filter

Model: TA2667B

Part No: MP11224 (Compliant with AEC-Q200)

Rev No: 1

4. Wide span



2017.50MHz SAW Filter

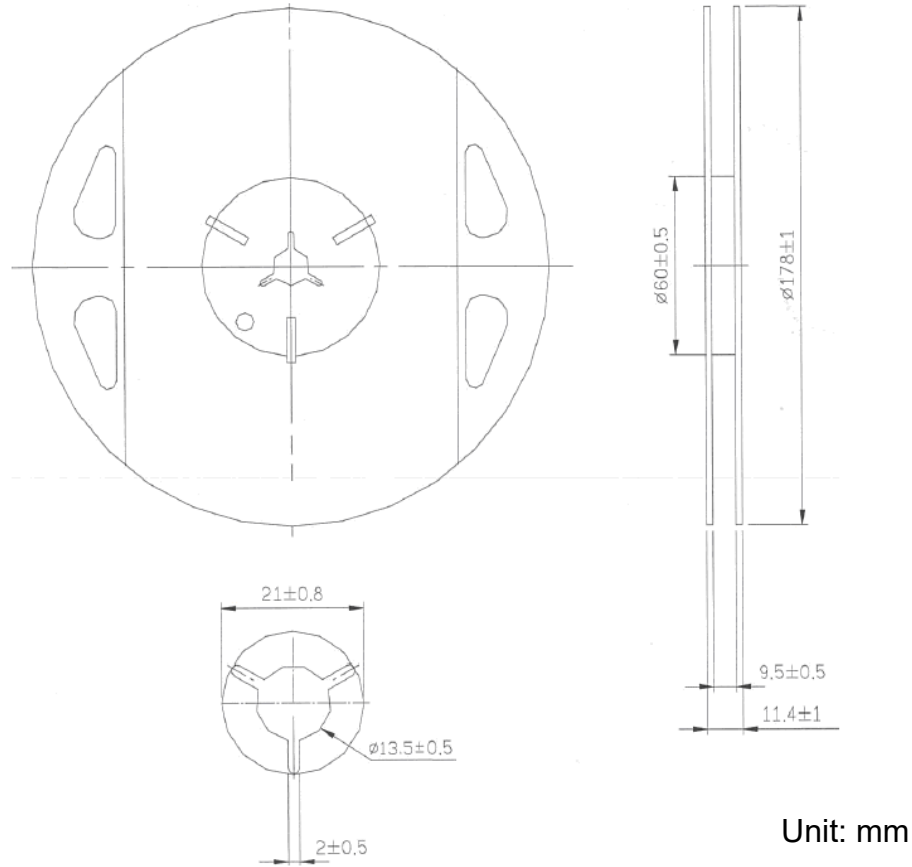
Model: TA2667B

Part No: MP11224 (Compliant with AEC-Q200)

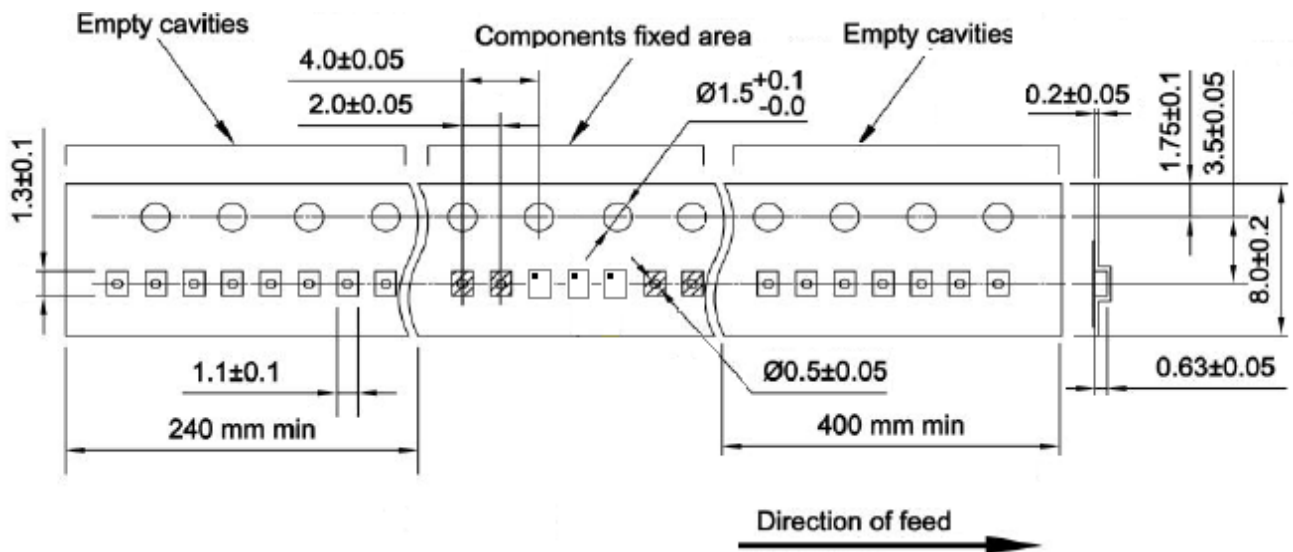
Rev No: 1

G. PACKING:

1. Reel Dimensions



2. Tape Dimensions



2017.50MHz SAW Filter

Model: TA2667B

Part No: MP11224 (Compliant with AEC-Q200)

Rev No: 1

H. RECOMMENDED REFLOW PROFILE:

1. Preheating shall be fixed at 150~180°C for 60~90 seconds.
2. Ascending time to preheating temperature 150°C shall be 30 seconds min.
3. Heating shall be fixed at 220°C for 50~80 seconds and at 245~260°C peak (min. 10 sec).
4. Time: 2 times.

